

OPERATION AND INSTALLATION  
UTILISATION ET INSTALLATION  
BEDIENING EN INSTALLATIE  
OBSLUHA A INSTALACE  
OBSLUHA A INŠTALÁCIA  
OBSŁUGA I INSTALACJA  
OPERARE ȘI INSTALARE  
KEZELÉS ÉS FELSZERELÉS  
ЭКСПЛУАТАЦИЯ И УСТАНОВКА

Electronically controlled mini instantaneous water heater | Mini chauffe-eau instantané à régulation électronique | Elektronisch geregelde mini-doorstomer | Elektronicky regulovaný průtokový mini ohříváč | Elektronicky regulovaný mini prietokový ohrievač | Elektronicznie regulowany mini przepływowy ogrzewacz wody | Mini încălzitor instant controlat electronic | Elektronikus szabályozású átfolyós mini vízmelegítő | Проточный мини-водонагреватель с электронным управлением

- » EIL 3 Premium
- » EIL 4 Premium
- » EIL 6 Premium
- » EIL 7 Premium

**STIEBEL ELTRON**

---

# CONTENTS

---

## SPECIAL INFORMATION

### OPERATION

<b>1. General information</b>	<b>4</b>
1.1 Safety instructions	4
1.2 Other symbols in this documentation	5
1.3 Units of measurement	5
<b>2. Safety</b>	<b>6</b>
2.1 Intended use	6
2.2 General safety instructions	6
2.3 Test symbols	6
<b>3. Appliance description</b>	<b>7</b>
<b>4. Settings</b>	<b>7</b>
<b>5. Cleaning, care and maintenance</b>	<b>8</b>
<b>6. Troubleshooting</b>	<b>8</b>

### INSTALLATION

<b>7. Safety</b>	<b>9</b>
7.1 General safety instructions	9
7.2 Instructions, standards and regulations	9
<b>8. Appliance description</b>	<b>9</b>
8.1 Standard delivery	9
8.2 Accessories	10
<b>9. Preparation</b>	<b>10</b>
<b>10. Installation</b>	<b>10</b>
10.1 Installation site	10
10.2 Installation options	11

10.3 Making the electrical connection	14
<b>11. Commissioning</b>	<b>15</b>
11.1 Initial start-up	15
11.2 Appliance handover	15
11.3 Recommissioning	15
11.4 Settings	15
<b>12. Appliance shutdown</b>	<b>17</b>
<b>13. Troubleshooting</b>	<b>17</b>
<b>14. Maintenance</b>	<b>19</b>
14.1 Draining the appliance	19
14.2 Clean strainer	19
14.3 Tests in accordance with VDE 0701/0702	20
14.4 Appliance storage	20
14.5 Replacing the power cable for the EIL 6 Premium	20
<b>15. Specification</b>	<b>20</b>
15.1 Dimensions and connections	20
15.2 Wiring diagram	21
15.3 Temperature increase	22
15.4 Application areas	23
15.5 Energy consumption data	23
15.6 Data table	24

## GUARANTEE

## ENVIRONMENT AND RECYCLING

## SPECIAL INFORMATION

- The appliance may be used by children aged 3 and older and persons with reduced physical, sensory or mental capabilities or a lack of experience and know-how, provided that they are supervised or they have been instructed on how to use the appliance safely and have understood the potential risks. Children must never play with the appliance. Cleaning and user maintenance must not be carried out by children without supervision.
- The tap can reach temperatures of up to 55 °C. There is a risk of scalding at outlet temperatures in excess of 43 °C.
- Ensure the appliance can be separated from the power supply by an isolator that disconnects all poles with at least 3 mm contact separation.
- The specified voltage must match the mains voltage.
- The appliance must be permanently connected to fixed wiring, exception EIL 3 Premium.
- The power cable must only be replaced (for example if damaged) by a qualified contractor authorised by the manufacturer, using an original spare part.
- Secure the appliance as described in chapter "Installation / Installation".
- Observe the maximum permissible pressure (see chapter "Installation / Specification / Data table").
- The specific water resistivity of the mains water supply must not be undershot (see chapter "Installation / Specification / Data table").

### General information

---

- Drain the appliance as described in chapter "Installation / Maintenance / Draining the appliance".

## OPERATION

### 1. General information

The chapter "Operation" is intended for appliance users and qualified contractors.

The chapter "Installation" is intended for qualified contractors.



#### Note

Read these instructions carefully before using the appliance and retain them for future reference.

Pass on the instructions to a new user if required.

---

### 1.1 Safety instructions

#### 1.1.1 Structure of safety instructions



#### KEYWORD Type of risk




Here, possible consequences are listed that may result from failure to observe the safety instructions.

► Steps to prevent the risk are listed.

## OPERATION

# General information

### 1.1.2 Symbols, type of risk

Symbol	Type of risk
	Injury
	Electrocution
	Burns (burns, scalding)

### 1.1.3 Keywords

KEYWORD	Meaning
DANGER	Failure to observe this information will result in serious injury or death.
WARNING	Failure to observe this information may result in serious injury or death.
CAUTION	Failure to observe this information may result in non-serious or minor injury.

### 1.2 Other symbols in this documentation



#### Note

Notes are bordered by horizontal lines above and below the text. General information is identified by the adjacent symbol.

► Read these texts carefully.

#### Symbol



Material losses

(appliance damage, consequential losses and environmental pollution)



Appliance disposal

► This symbol indicates that you have to do something. The action you need to take is described step by step.

### 1.3 Units of measurement



#### Note

Unless specified otherwise, all dimensions are given in mm.

# OPERATION

## Safety

### 2. Safety

#### 2.1 Intended use

The appliance is intended for domestic use. It can be used safely by untrained persons. The appliance can also be used in non-domestic environments, e.g. in small businesses, as long as it is used in the same way.

This appliance is suitable for heating domestic hot water or for reheating preheated water. The appliance is designed for one hand washbasin.

Any other use beyond that described shall be deemed inappropriate. Observation of these instructions and of the instructions for any accessories used is also part of the correct use of this appliance.

#### 2.2 General safety instructions



##### **DANGER Scalding**

The tap can reach temperatures of up to 55 °C. There is a risk of scalding at outlet temperatures in excess of 43 °C.



##### **WARNING Injury**

The appliance may be used by children aged 3 and older and persons with reduced physical, sensory or mental capabilities or a lack of experience and know-how, provided that they are supervised or they have been instructed on how to use the appliance safely and have understood the potential risks. Children must never play with the appliance. Cleaning and user maintenance must not be carried out by children without supervision.



##### **DANGER Electrocutation**

Any damaged power cables must be replaced by a qualified electrician. This prevents potential hazards from arising.



##### **Material losses**

Protect the appliance and tap against frost.



##### **Material losses**

Only use the special aerator provided. Prevent scale build-up at the tap outlets (see chapter "Cleaning, care and maintenance").

#### 2.3 Test symbols

See type plate on the appliance.

### **3. Appliance description**

The electronically controlled mini instantaneous water heater maintains a constant outlet temperature up to its output limit, irrespective of the inlet temperature.

This appliance has been factory-set to the outlet temperature required for washing hands. Once this temperature has been reached, the PCB automatically reduces the output. The output is matched to the required temperature, this prevents the temperature being exceeded.

The appliance heats the water directly at the draw-off point as soon as the tap is opened. The short pipe runs ensure that energy and water losses are minimal.

The DHW output depends on the cold water temperature, the heating output and the flow rate.

The bare wire heating system is suitable for hard and soft water areas. This heating system has a low susceptibility to scale build-up. The heating system ensures quick and efficient DHW provision at the hand washbasin.

Your qualified contractor can adjust the maximum temperature and flow rate (see chapter "Commissioning / Settings").

Fitting the special aerator supplied provides an optimum water jet.

### **4. Settings**

The appliance heating system switches on automatically as soon as you open the DHW valve at the tap or activate the sensor of a sensor tap. The water is heated. The water temperature can be adjusted at the tap:

For the starting flow rate and flow rate limiting, see chapter "Specification".

#### **Increasing the temperature**

- ▶ Reduce the flow rate at the tap.

#### **Reducing the temperature**

- ▶ Open the tap further or add more cold water.

#### **Following an interruption to the water supply**

See chapter "Commissioning / Recommissioning".

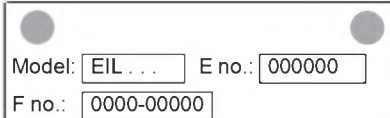
## 5. Cleaning, care and maintenance

- ▶ Never use abrasive or corrosive cleaning agents. A damp cloth is sufficient for cleaning the appliance.
- ▶ Check the taps regularly. Limescale deposits at the tap outlets can be removed using commercially available descaling agents.
- ▶ Have the electrical safety of the appliance regularly checked by a qualified contractor.
- ▶ Regularly descale or replace the special aerator (see chapter "Appliance description / Accessories").

## 6. Troubleshooting

Problem	Cause	Remedy
The appliance will not start despite the DHW valve being fully open.	No power at the appliance.	Check the fuse/MCB in your fuse box/distribution board.
	The aerator in the tap is scaled up or dirty.	Clean and/or descale the aerator or replace the special aerator.
The required temperature is not being reached.	The water supply has been interrupted.	Vent the appliance and the cold water inlet line (see chapter "Settings").
	The maximum temperature set inside the appliance is too low.	Have your qualified contractor adjust the maximum temperature.
	The appliance has reached its output limit.	Reduce the flow rate.

If you cannot remedy the fault, notify your qualified contractor. To facilitate and speed up your request, provide the number from the type plate (000000-0000-00000).



Model: EIL . . . E no.: 000000  
F no.: 0000-00000



# INSTALLATION

## 7. Safety

Only a qualified contractor should carry out installation, commissioning, maintenance and repair of the appliance.

### 7.1 General safety instructions

We guarantee trouble-free function and operational reliability only if original accessories and spare parts intended for the appliance are used.



#### Material losses

Observe the max. permissible inlet temperature. Higher temperatures may damage the appliance. You can limit the inlet temperature by installing a central thermostatic valve.



#### WARNING Electrocutation

This appliance contains capacitors which are discharged when disconnected from the power supply. The capacitor discharge voltage may briefly reach > 34 V DC.

## 7.2 Instructions, standards and regulations



#### Note

Observe all applicable national and regional regulations and instructions.

The specific electrical resistance of the water used must not fall below that stated on the type plate. In a linked water network, factor in the lowest electrical resistance of the water (see chapter "Specification / Data table"). Your water supply utility will advise you of the electrical resistivity or conductivity of the water in your area.

## 8. Appliance description

### 8.1 Standard delivery

The following are delivered with the appliance:

- Sieve inside the cold water inlet
- Special aerator
- Connection hose 3/8, 500 mm long, with gaskets\*
- Tee 3/8\*
- Company logo for oversink installation

\*for the connection as pressure-tested appliance

---

# INSTALLATION

## Preparation

---

### 8.2 Accessories

#### Special aerator



##### Note

Fitting the special aerator supplied provides an optimum water jet.

---

#### Taps/valves

- ▶ Use suitable taps.

#### Non-pressurised taps

- MAW (OT) Wall mounted tap for oversink installation
- MAZ (UT) Twin lever basin tap
- MAE (UTE) Mono lever basin tap

#### Pressure-tested taps

Suitable pressure-tested taps are available from specialist trade shops.

### 9. Preparation

- ▶ Flush the water line thoroughly.

#### Water installation

No safety valve is required.

### 10. Installation

#### 10.1 Installation site

Install the appliance in a room free from the risk of frost and near the draw-off tap.

Ensure that the lateral fixing screws for the cover are always accessible.

The appliance is suitable for undersink installation (water connections at the top) and oversink installation (water connections at the bottom).



##### **DANGER** Electrocutation

The adjusting screw for setting the flow rate is 'live', and the IP 25 protection is only given when the appliance back panel is fitted.

- ▶ Always fit the appliance back panel.

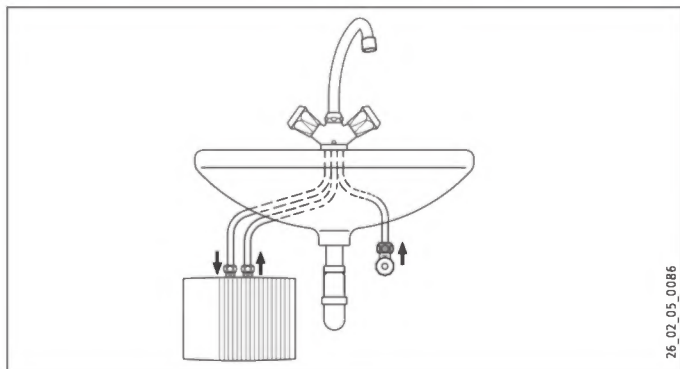
# INSTALLATION

## Installation

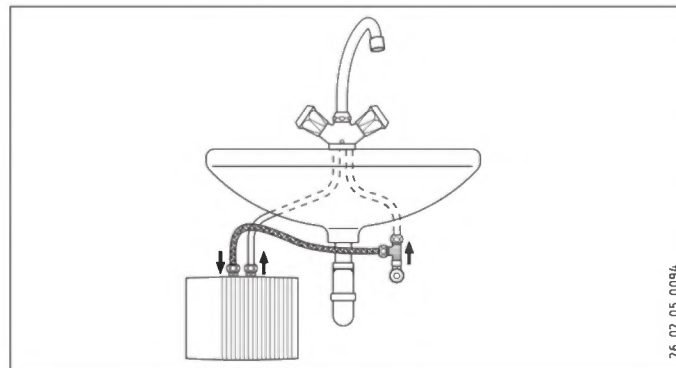
### 10.2 Installation options

#### 10.2.1 Undersink installation

Non-pressurised, with non-pressurised tap



Pressure-tested, with pressure-tested tap



#### Appliance installation

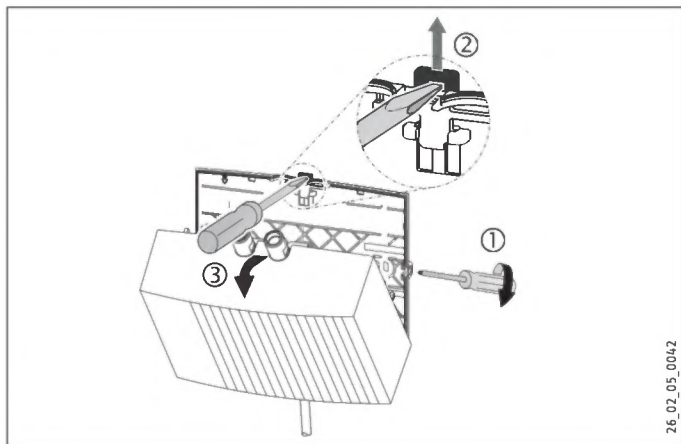


Note

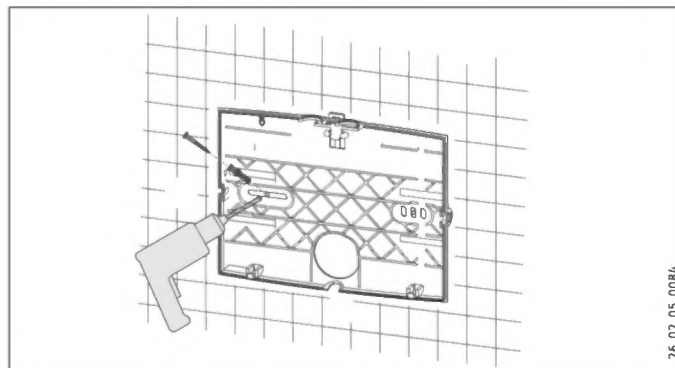
- ▶ Mount the appliance on the wall.  
The wall must have sufficient load bearing capacity.

# INSTALLATION

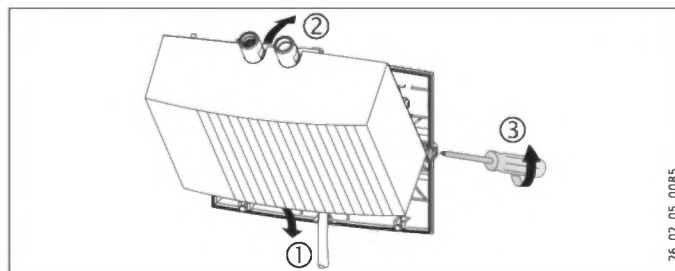
## Installation



- ▶ Undo the cover fixing screws by two turns.
- ▶ Undo the snap fastener using a screwdriver.
- ▶ Remove the appliance cover with the heater towards the front.
- ▶ Using pliers, break out the knock-out for the power cable in the appliance cover. Correct the contours with a file if necessary.



- ▶ Use the appliance back panel as a drilling template.
- ▶ Secure the appliance back panel to the wall with suitable rawl plugs and screws.



- ▶ Route the power cable through the cable entry in the back panel.

## INSTALLATION

# Installation

- ▶ Hook in the appliance cover with the heater at the bottom.
- ▶ Click the heater into place using the snap fastener.
- ▶ Secure the appliance cover with the cover fixing screws.

### Tap installation

- ▶ Install the tap. For this, also observe the tap operating and installation instructions.



#### Material losses

- ▶ When making the connections, counter the torque on the appliance using a size 14 spanner.

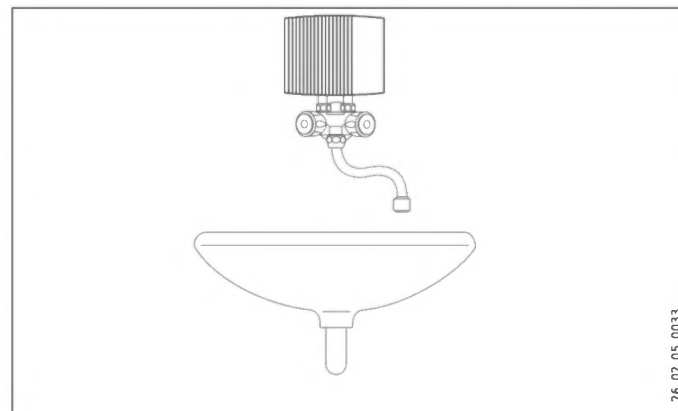
### Pressure-tested tap



#### Note

- ▶ Fit the 3/8 connection hose and the 3/8 tee provided.

### 10.2.2 Oversink installation, non-pressurised, with non-pressurised tap



26.02.05\_0033

### Tap installation

- ▶ Install the tap. For this, also observe the tap operating and installation instructions.



#### Material losses

- ▶ When making the connections, counter the torque on the appliance using a size 14 spanner; see chapter "Installation alternatives / Undersink installation".

# INSTALLATION

## Installation

### Appliance installation

- ▶ Fit the appliance to the tap with the water connections.

### 10.3 Making the electrical connection



#### DANGER Electrocutation

Carry out all electrical connection and installation work in accordance with relevant regulations.



#### DANGER Electrocutation

Ensure that the appliance is earthed.

Ensure the appliance can be separated from the power supply by an isolator that disconnects all poles with at least 3 mm contact separation.



#### DANGER Electrocutation

The appliances are delivered with a power cable (EIL 3 Premium with plug).

Connection to a permanent power supply is possible, provided the fixed cable has a cross-section that is at least equal to that of the standard power cable of the appliance. A maximum cross-section of 3 x 6 mm<sup>2</sup> may be used.

- ▶ If the appliance is installed over the sink, route the power cable behind the appliance.



#### Material losses

When making the connection to a standard safety socket (in the case of a power cable with plug), ensure that the socket is freely accessible after the appliance has been installed.



#### Material losses

Observe the type plate. The specified voltage must match the mains voltage.

- ▶ Connect the power cable as shown in the wiring diagram (see chapter "Specification / Wiring diagram").

# INSTALLATION

## Commissioning

### 11. Commissioning

#### 11.1 Initial start-up



- ▶ Fill the appliance by running the tap several times until the pipework and appliance are free of air.
- ▶ Carry out a tightness check.
- ▶ Insert the power cable plug, if present, into the standard safety socket or set the fuse/MCB.
- ▶ Check the appliance function.
- ▶ In the case of oversink installation, affix the company logo supplied over the existing company logo.

#### 11.2 Appliance handover

- ▶ Explain the appliance function to users and familiarise them with how it works.
- ▶ Make the user aware of potential dangers, especially the risk of scalding.
- ▶ Hand over these instructions.

#### 11.3 Recommissioning



##### Material losses

Following an interruption of the water supply, recommission the appliance by carrying out the following steps, in order to prevent irreparable damage to the bare wire heating system.

- ▶ Isolate the appliance from the power supply. Pull the power cable plug, if present, from the socket, or remove the fuse/reset the MCB.
- ▶ See chapter "Initial start-up".

#### 11.4 Settings

You can alter the maximum flow rate and temperature.



##### DANGER Electrocution

The flow rate and temperature may only be adjusted if the appliance is isolated from the power supply.

- ▶ Isolate all poles of the appliance from the power supply.

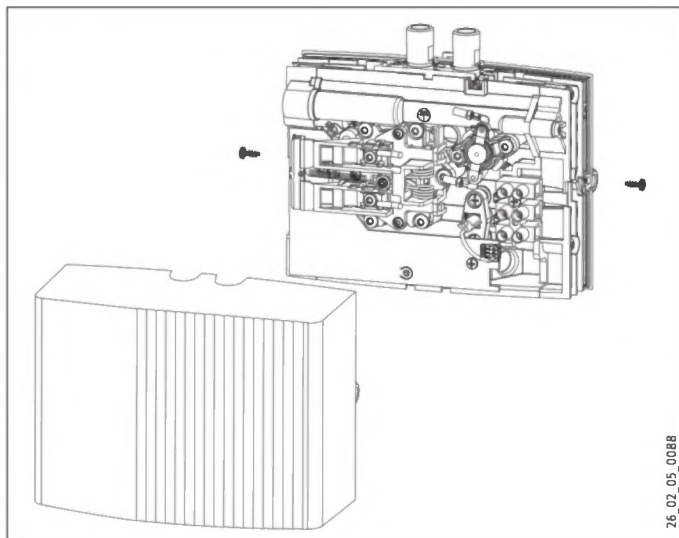


##### DANGER Electrocution

The adjusting screw for changing the flow rate and the potentiometer for setting the temperature are live if the appliance has not been isolated from the power supply.

# INSTALLATION

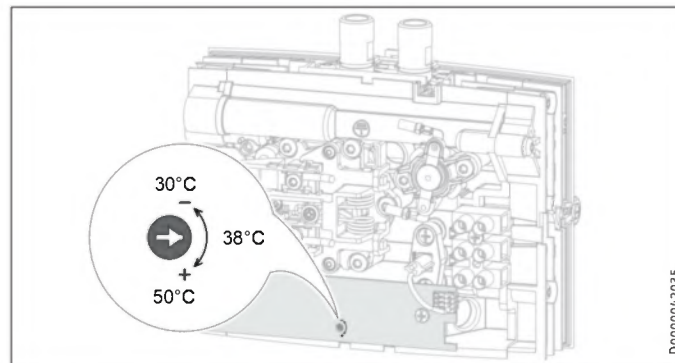
## Commissioning



- ▶ Remove the appliance cover.

### Setting the maximum temperature

Factory setting: 38 °C



- ▶ Using a screwdriver, set the potentiometer to the maximum required temperature.
- ▶ Fit the appliance cover.

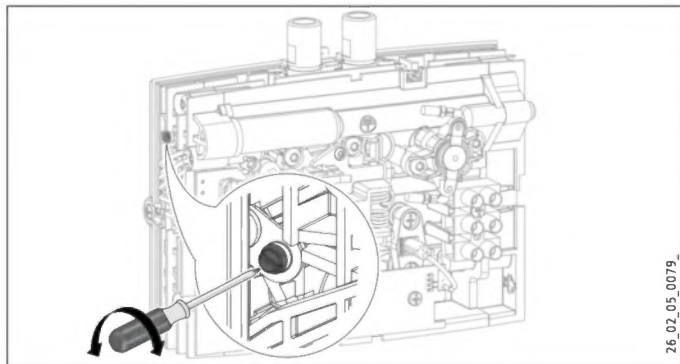


# INSTALLATION

## Appliance shutdown

### Limiting the flow rate

Factory setting: Maximum flow rate



- ▶ Using the adjusting screw, set the maximum required flow rate:
  - Lowest flow rate = wind the screw in as far as it will go.
  - Highest flow rate = wind the screw out as far as it will go.
- ▶ Fit the appliance cover.

## 12. Appliance shutdown

- ▶ Isolate the appliance from the power supply by means of the fuse/MCB in your fuse box or by pulling the power cable plug from the socket.
- ▶ Drain the appliance (see chapter "Maintenance").

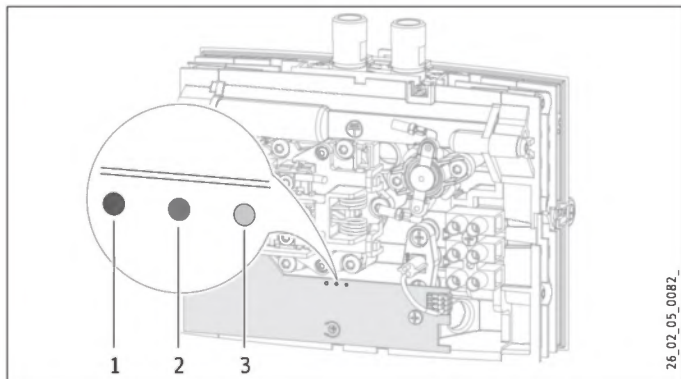
## 13. Troubleshooting

Problem	Cause	Remedy
The appliance will not start despite the DHW valve being fully open.	The aerator in the tap is scaled up or dirty.	Clean and/or descale the aerator or replace the special aerator.
	The flow rate is set too low.	Increase the flow rate.
	The sieve in the cold water line is blocked.	Clean the sieve after shutting off the cold water inlet line.
	The heating system is faulty.	Check the resistance of the heating system and replace the appliance if required.
	The safety pressure limiter has responded.	Remedy the cause of the fault. Isolate the appliance from the power supply and depressurise the water line. Activate the safety pressure limiter.
The required temperature is not being reached.	The appliance has reached its output limit.	Reduce the flow rate.

# INSTALLATION

## Troubleshooting

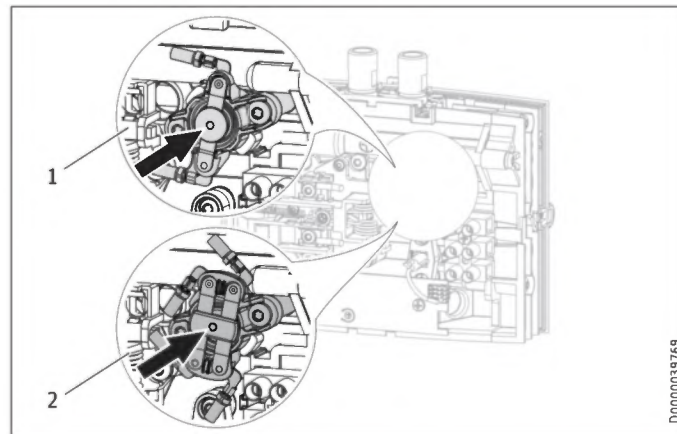
### LED indicators



26\_02\_05\_0082\_

- 1 Illuminates red in the case of a fault
- 2 Illuminates yellow during heating operation
- 3 Flashes green if the PCB is receiving power

### Activating the safety pressure limiter



D0000039769

- 1 1-pole safety pressure limiter EIL 4 Premium / EIL 6 Premium
- 2 2-pole safety pressure limiter EIL 3 Premium / EIL 7 Premium

### 14. Maintenance



**DANGER Electrocutation**  
Before any work on the appliance, disconnect all poles from the power supply.

#### 14.1 Draining the appliance



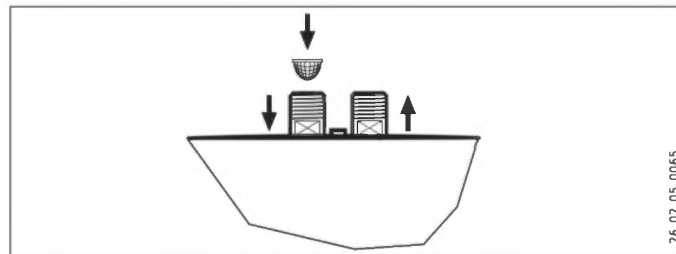
**DANGER Scalding**  
Hot water may escape during draining.

If the appliance needs to be drained for maintenance or to protect the whole installation when there is a risk of frost, proceed as follows:

- ▶ Close the shut-off valve in the cold water inlet line.
- ▶ Open the draw-off valve.
- ▶ Undo the water connections on the appliance.

#### 14.2 Clean strainer

You can clean the fitted strainer after removing the cold water supply pipe.



# INSTALLATION Specification

## 14.3 Tests in accordance with VDE 0701/0702

### Earth conductor check

- ▶ Check the earth conductor (in Germany e.g. DGUV A3) on the earth conductor contact of the power cable and on the appliance connector.

### Insulation resistance

Due to the electronic control of this appliance, an insulation resistance test to VDE 0701/0702 cannot be carried out.

- ▶ To check the effectiveness of the insulating properties of the appliance, we recommend conducting a differential current test of the earth conductor current / leakage current to VDE 0701/0702 (Fig. C.3b).

## 14.4 Appliance storage

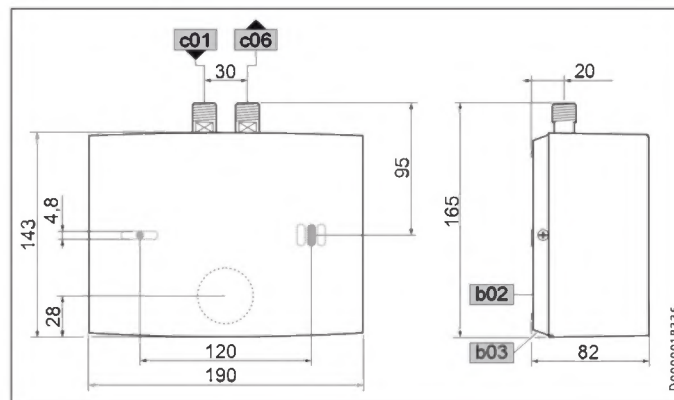
- ▶ Store the dismantled appliance free from the risk of frost, as water residues remaining inside the appliance can freeze and cause damage.

## 14.5 Replacing the power cable for the EIL 6 Premium

- ▶ If replacing the cable for the EIL 6 Premium, use a power cable with 4 mm<sup>2</sup> cross-section

## 15. Specification

### 15.1 Dimensions and connections

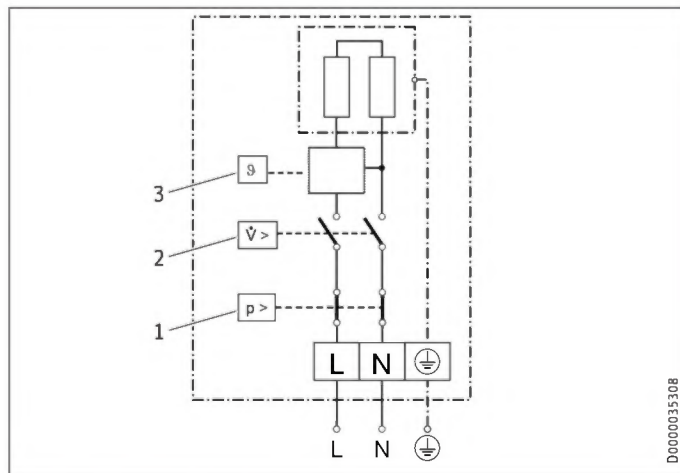


b02	Entry for electrical cables I		
b03	Entry electrical cables II		
c01	Cold water inlet	Male thread	G 3/8 A
c06	DHW outlet	Male thread	G 3/8 A

# INSTALLATION Specification

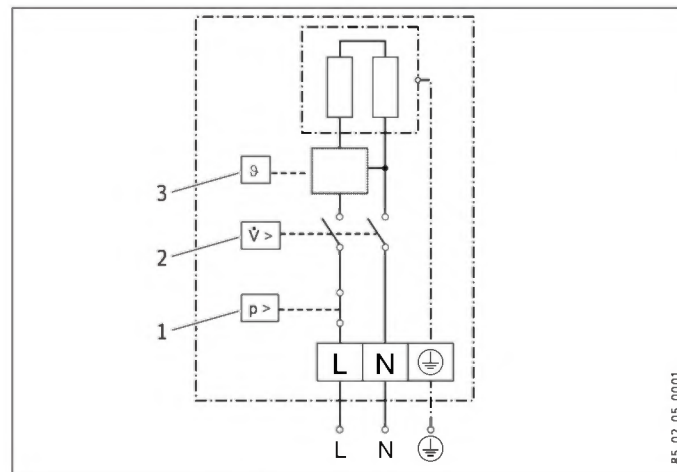
## 15.2 Wiring diagram

### 15.2.1 EIL 3 Premium 1/N/PE ~ 200-240 V



- 1 Safety pressure limiter
- 2 Pressure differential switch
- 3 PCB with outlet temperature sensor

### 15.2.2 EIL 4 Premium | EIL 6 Premium 1/N/PE ~ 200-240 V



- 1 Safety pressure limiter
- 2 Pressure differential switch
- 3 PCB with outlet temperature sensor

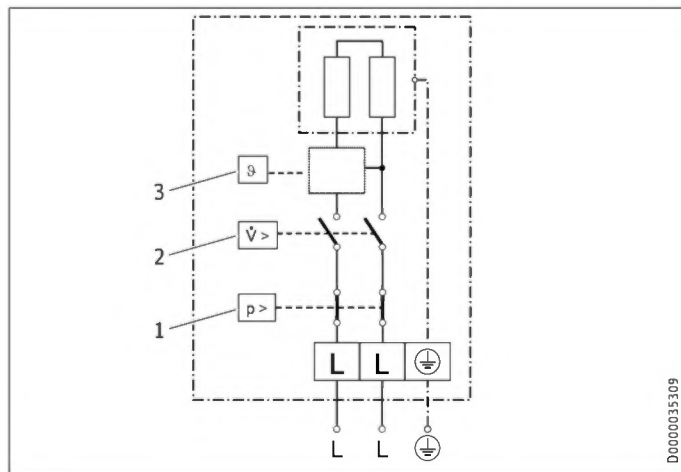


#### Material losses

- In the case of a permanent power supply, connect the power cable according to the designations on the socket terminals.

# INSTALLATION Specification

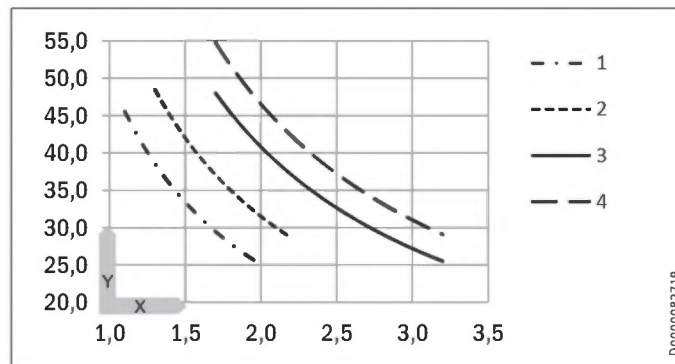
## 15.2.3 EIL 7 Premium 2/PE ~ 380-400 V



- 1 Safety pressure limiter
- 2 Pressure differential switch
- 3 PCB with outlet temperature sensor

## 15.3 Temperature increase

At 230 V / 400 V, the following water temperature increases occur:



- X Flow rate in l/min  
Y Temperature increase in K
- 1 3.5 kW - 230 V
  - 2 4.4 kW - 230 V
  - 3 5.7 kW - 230 V
  - 4 6.5 kW - 400 V

### Example EIL 3 Premium with 3.5 kW

Flow rate	l/min	2.0
Temperature increase	K	25
Cold water supply temperature	°C	12
Maximum possible outlet temperature	°C	37

# INSTALLATION Specification

## 15.4 Application areas

For the specific electrical resistance and specific electrical conductivity, see "Data table".

Standard specification at 15 °C			20 °C			25 °C		
Spec. Resistivity $\rho \geq$	Spec. Conductivity $\sigma \leq$	Conductivity $\mu S/cm$	Spec. Resistivity $\rho \geq$	Spec. Conductivity $\sigma \leq$	Conductivity $\mu S/cm$	Spec. Resistivity $\rho \geq$	Spec. Conductivity $\sigma \leq$	Conductivity $\mu S/cm$
$\Omega cm$	$mS/m$	$\mu S/cm$	$\Omega cm$	$mS/m$	$\mu S/cm$	$\Omega cm$	$mS/m$	$\mu S/cm$
1000	100	1000	890	112	1124	815	123	1227
1300	77	769	1175	85	851	1072	93	933

## 15.5 Energy consumption data

Product datasheet: Conventional water heaters to regulation (EU) no. 812/2013 | 814/2013

		EIL 3 Premium	EIL 4 Premium	EIL 6 Premium	EIL 7 Premium
		200134	200135	200136	200137
Manufacturer		STIEBEL ELTRON	STIEBEL ELTRON	STIEBEL ELTRON	STIEBEL ELTRON
Load profile		XXS	XXS	XXS	XS
Energy efficiency class		A	A	A	A
Energy conversion efficiency	%	39	38	39	40
Annual power consumption	kWh	478	478	478	467
Default temperature setting	°C	38	38	38	38
Sound power level	dB(A)	15	15	15	15
Special information on measuring efficiency		None	None	None	None
Daily power consumption	kWh	2.200	2.200	2.200	2.130

# INSTALLATION Specification

## 15.6 Data table

		EIL 3 Premium				EIL 4 Premium				EIL 6 Premium				EIL 7 Premium	
		200134				200135				200136				200137	
<b>Electrical data</b>															
Rated voltage	V	200	220	230	240	200	220	230	240	200	220	230	240	380	400
Rated output	kW	2.7	3.2	3.53	3.8	3.3	4.0	4.4	4.8	4.3	5.2	5.7	6.2	5.9	6.5
Rated current	A	13.3	14.5	15.2	15.8	16.7	18.2	19.1	20.0	21.6	23.6	24.7	25.8	15.5	16.3
Fuse protection	A	16				20				25	25	25	32	16	20
Frequency	Hz	50/60				50/60				50/60				50/-	50/-
Phases		1/N/PE				1/N/PE				1/N/PE				2/PE	
Specific resistance $\rho_{15} \geq$ (at $\vartheta_{\text{cold}} \leq 25$ °C)	$\Omega$ cm	1000				1000				1000				1000	
Specific conductivity $\sigma_{15} \leq$ (at $\vartheta_{\text{cold}} \leq 25$ °C)	$\mu\text{S}/\text{cm}$	1000				1000				1000				1000	
Specific resistance $\rho_{15} \geq$ (at $\vartheta_{\text{cold}} > 25$ °C)	$\Omega$ cm	1300				1300				1300				1300	
Specific conductivity $\sigma_{15} \leq$ (at $\vartheta_{\text{cold}} > 25$ °C)	$\mu\text{S}/\text{cm}$	770				770				770				770	
Max. mains impedance at 50 Hz	$\Omega$	0.083	0.079	0.076		0.065	0.063	0.06		0.049	0.047	0.045		0.236	0.225
<b>Connections</b>															
Water connection		G 3/8 A				G 3/8 A				G 3/8 A				G 3/8 A	
<b>Application limits</b>															
Max. permissible pressure	MPa	1				1				1				1	
Max. inlet temperature for reheating	°C	50				50				50				50	
<b>Values</b>															
Max. permissible inlet temperature	°C	55				55				55				55	
Temperature setting range, DHW	°C	30-50				30-50				30-50				30-50	
On	l/min	>1.5				>1.8				>2.2				>2.2	
Pressure drop at flow rate	MPa	0.05				0.06				0.07				0.07	
Flow rate for pressure drop	l/min	1.5				1.8				2.2				2.2	
Flow rate limit at	l/min	2.0				2.2				3.2				3.2	
DHW delivery	l/min	2.0				2.2				3.2				3.7	
$\Delta\vartheta$ on delivery	K	25				25				25				25	



# INSTALLATION Specification

		EIL 3 Premium	EIL 4 Premium	EIL 6 Premium	EIL 7 Premium
<b>Hydraulic data</b>					
Nominal capacity	l	0.1	0.1	0.1	0.1
<b>Versions</b>					
Oversink installation		X	X	X	X
Undersink installation		X	X	X	X
Open vented type		X	X	X	X
Sealed unvented type		X	X	X	X
Protection class		1	1	1	1
Insulating block		Plastic	Plastic	Plastic	Plastic
Heating system heat generator		Bare wire	Bare wire	Bare wire	Bare wire
Cover and back panel		Plastic	Plastic	Plastic	Plastic
Colour		White	White	White	White
IP rating		IP 25	IP 25	IP 25	IP 25
<b>Dimensions</b>					
Height	mm	143	143	143	143
Width	mm	190	190	190	190
Depth	mm	82	82	82	82
Length of connecting cable	mm	700	700	700	700
<b>Weights</b>					
Weight	kg	1.5	1.5	1.5	1.5



## Note

The appliance conforms to IEC 61000-3-12.

### **Guarantee**

The guarantee conditions of our German companies do not apply to appliances acquired outside of Germany. In countries where our subsidiaries sell our products a guarantee can only be issued by those subsidiaries. Such guarantee is only granted if the subsidiary has issued its own terms of guarantee. No other guarantee will be granted.

We shall not provide any guarantee for appliances acquired in countries where we have no subsidiary to sell our products. This will not affect warranties issued by any importers.

### **Environment and recycling**

We would ask you to help protect the environment. After use, dispose of the various materials in accordance with national regulations.

# TABLE DES MATIÈRES

## REMARQUES PARTICULIÈRES

### UTILISATION

<b>1. Remarques générales</b>	<b>29</b>
1.1 Consignes de sécurité	29
1.2 Autres pictogrammes utilisés dans cette documentation	30
1.3 Unités de mesure	30
<b>2. Sécurité</b>	<b>31</b>
2.1 Utilisation conforme	31
2.2 Consignes de sécurité générales	31
2.3 Label de conformité	31
<b>3. Description de l'appareil</b>	<b>32</b>
<b>4. Configuration</b>	<b>32</b>
<b>5. Nettoyage, entretien et maintenance</b>	<b>33</b>
<b>6. Dépannage</b>	<b>33</b>

### INSTALLATION

<b>7. Sécurité</b>	<b>34</b>
7.1 Consignes de sécurité générales	34
7.2 Prescriptions, normes et réglementations	34
<b>8. Description de l'appareil</b>	<b>34</b>
8.1 Fourniture	34
8.2 Accessoires	35
<b>9. Travaux préparatoires</b>	<b>35</b>
<b>10. Montage</b>	<b>35</b>
10.1 Lieu d'installation	35
10.2 Variantes de pose	36

10.3 Réalisation du raccordement électrique	39
<b>11. Mise en service</b>	<b>40</b>
11.1 Première mise en service	40
11.2 Remise de l'appareil au client	40
11.3 Remise en marche	40
11.4 Configuration	40
<b>12. Mise hors service</b>	<b>42</b>
<b>13. Aide au dépannage</b>	<b>42</b>
<b>14. Maintenance</b>	<b>44</b>
14.1 Vidange de l'appareil	44
14.2 Nettoyage du filtre	44
14.3 Contrôles selon VDE 0701/0702	44
14.4 Stockage de l'appareil	45
14.5 Remplacement du câble d'alimentation électrique sur le EIL 6 Premium	45
<b>15. Caractéristiques techniques</b>	<b>45</b>
15.1 Cotes et raccordements	45
15.2 Schéma électrique	46
15.3 Augmentation de la température	47
15.4 Plages d'utilisation	48
15.5 Indications relatives à la consommation énergétique	49
15.6 Tableau des données	50

### GARANTIE

### PROTECTION DE L'ENVIRONNEMENT ET RECYCLAGE

# REMARQUES PARTICULIÈRES

- L'appareil peut être utilisé par des enfants de 3 ans et plus, ainsi que par des personnes aux facultés physiques, sensorielles ou mentales réduites, ou par des personnes sans expérience, s'ils sont sous surveillance ou qu'ils ont été formés à l'utilisation en toute sécurité de l'appareil, et s'ils ont compris les dangers encourus. Ne laissez pas les enfants jouer avec l'appareil. Ne confiez pas le nettoyage ni les opérations de maintenance réservées aux utilisateurs à des enfants sans surveillance.
- La température de la robinetterie peut atteindre 55 °C. Risque de brûlure à des températures de sortie supérieures à 43 °C.
- L'appareil doit pouvoir être déconnecté du secteur par un dispositif de coupure multipolaire ayant une ouverture minimale des contacts de 3 mm.
- La tension indiquée doit correspondre à la tension du secteur.
- L'appareil doit être raccordé en permanence à un câblage fixe, à l'exception de EIL 3 Premium.
- En cas de détérioration ou pour le remplacement du câble d'alimentation, veuillez n'utiliser que des pièces de rechange d'origine, et faire appel à un installateur agréé par le fabricant.
- Fixez l'appareil comme indiqué dans le chapitre « Installation / Montage ».
- Tenez compte de la pression admissible maximale (voir chapitre « Installation / Données techniques / Tableau des données »).

### Remarques générales

- La résistance hydraulique spécifique du réseau de distribution d'eau doit être atteinte (voir le chapitre « Installation / Données techniques / Tableau de données »).
- Vidangez l'appareil comme indiqué au chapitre « Installation / Maintenance / Vidange de l'appareil ».

## UTILISATION

### 1. Remarques générales

Le chapitre « Utilisation » s'adresse à l'utilisateur de l'appareil et à l'installateur qualifié.

Le chapitre « Installation » s'adresse aux installateurs.



#### Remarque

Lisez attentivement cette notice avant l'utilisation et conservez-la soigneusement.  
Remettez cette notice au nouvel utilisateur le cas échéant.

### 1.1 Consignes de sécurité

#### 1.1.1 Présentation des consignes de sécurité






**MENTION D'AVERTISSEMENT** Nature du danger  
Sont indiqués ici les risques éventuellement encourus en cas de non-respect de la consigne de sécurité.

- Indique les mesures permettant de prévenir le danger.

## UTILISATION

### Remarques générales

#### 1.1.2 Pictogrammes, nature du danger

Pictogramme	Nature du danger
	Blessure
	Électrocution
	Brûlure (brûlure, ébouillamment)

#### 1.1.3 Mentions d'avertissement

MENTION D'AVERTISSEMENT	Signification
DANGER	Caractérise des consignes dont le non-respect entraîne de graves lésions, voire la mort.
AVERTISSEMENT	Caractérise des consignes dont le non-respect peut entraîner de graves lésions, voire la mort.
ATTENTION	Caractérise des consignes dont le non-respect peut entraîner des lésions légères ou moyennement graves.

#### 1.2 Autres pictogrammes utilisés dans cette documentation



##### Remarque

Les remarques sont délimitées par des lignes horizontales au-dessus et en dessous du texte. Le pictogramme ci-contre caractérise des consignes générales.

► Lisez attentivement les consignes.

##### Pictogramme



Dommages matériels  
(endommagement de l'appareil, dommages consécutifs, pollution de l'environnement)



Recyclage de l'appareil

► Ce pictogramme signale une action à entreprendre. Les actions nécessaires sont décrites étape par étape.

#### 1.3 Unités de mesure



##### Remarque

Sauf indication contraire, l'unité de mesure utilisée est en millimètre.

## 2. Sécurité

### 2.1 Utilisation conforme

L'appareil est conçu pour une utilisation domestique. Il peut être utilisé sans risque par des personnes qui ne disposent pas de connaissances techniques particulières. L'appareil peut également être utilisé dans un environnement non domestique, par exemple dans de petites entreprises, à condition que son utilisation soit de même nature.

L'appareil sert au chauffage de l'eau sanitaire ou au chauffage d'appoint d'une eau préchauffée. Il convient pour un lave-mains.

Tout autre emploi est considéré comme non conforme. Une utilisation conforme de l'appareil implique également le respect de cette notice et de celles des accessoires utilisés.

### 2.2 Consignes de sécurité générales



#### **DANGER Brûlure**

La température de la robinetterie peut atteindre 55 °C. Risque de brûlure à des températures de sortie supérieures à 43 °C.



#### **AVERTISSEMENT Blessure**

L'appareil peut être utilisé par des enfants de 3 ans et plus, ainsi que par des personnes aux facultés physiques, sensorielles ou mentales réduites, ou par des personnes sans expérience, s'ils sont sous surveillance ou qu'ils ont été formés à l'utilisation en toute sécurité de l'appareil, et s'ils ont compris les dangers encourus. Ne laissez pas les enfants jouer avec l'appareil. Ne confiez pas le nettoyage ni les opérations de maintenance réservées aux utilisateurs à des enfants sans surveillance.



#### **DANGER Risque d'électrocution**

Faites remplacer immédiatement tout câble de raccordement électrique endommagé ou défectueux par un installateur. Cette précaution écarte tout risque potentiel.



#### **Dommages matériels**

Protégez l'appareil et la robinetterie du gel.



#### **Dommages matériels**

Utilisez uniquement le régulateur de jet spécial fourni. Évitez l'entartrage des becs de robinetterie (voir le chapitre « Nettoyage, entretien et maintenance »).

### 2.3 Label de conformité

Voir la plaque signalétique sur l'appareil.

### 3. Description de l'appareil

Ce petit chauffe-eau instantané à régulation électronique maintient une température de sortie constante dans les limites de sa puissance nominale, quelle que soit la température d'arrivée d'eau.

L'appareil est réglé en usine sur la température de sortie nécessaire au lavage des mains. Lorsque la température est atteinte, le système électronique réduit automatiquement la puissance. La puissance est adaptée à la température souhaitée, ce qui fait qu'elle n'est pas dépassée.

L'appareil chauffe l'eau directement au point de soutirage dès que la robinetterie est ouverte. Grâce aux faibles longueurs des conduites, les pertes d'énergie et d'eau sont réduites.

La capacité de production d'eau chaude dépend de la température de l'eau froide, de la puissance de chauffe et du débit.

Le système de chauffe à fil nu convient à l'eau calcaire et non calcaire. Le système de chauffe est largement résistant au tartre. Il garantit une mise à disposition rapide et efficace de l'eau chaude au lave-mains.

L'installateur peut régler les valeurs maximales de la température et du débit de soutirage (voir le chapitre « Mise en service / Réglages »).

En installant le régulateur de jet spécial fourni, vous obtenez un jet optimal.

### 4. Configuration

Dès que vous ouvrez le robinet d'eau chaude de la robinetterie ou que la sonde d'une robinetterie à sonde est activée, le système de chauffe de l'appareil est automatiquement activé. L'eau est chauffée. Vous pouvez modifier la température de l'eau à l'aide de la robinetterie :

pour le débit d'enclenchement et la limitation du débit de soutirage, voir le chapitre « Données techniques ».

#### Augmentation de la température

► Réduisez le débit de soutirage à l'aide de la robinetterie.

#### Diminution de la température

► Ouvrez plus la robinetterie ou ajoutez plus d'eau froide au mélangeur.

#### Après coupure d'eau

Voir chapitre « Mise en service / Remise en marche ».



### 5. Nettoyage, entretien et maintenance

- ▶ N'utilisez aucun produit de nettoyage abrasif ou corrosif. Un chiffon humide suffit pour le nettoyage et l'entretien de l'appareil.
- ▶ Contrôlez régulièrement les robinetteries. Vous pouvez éliminer le tartre au niveau des becs de robinetterie avec les produits de détartrage du commerce.
- ▶ Faites contrôler régulièrement la sécurité électrique de l'appareil par un installateur.
- ▶ Détartrez ou remplacez régulièrement le régulateur de jet spécial dans la robinetterie (voir le chapitre « Description de l'appareil / Accessoires »).

### 6. Dépannage

Problème	Cause	Remède
L'appareil ne démarre pas, bien que le robinet d'eau chaude soit entièrement ouvert.	L'appareil n'est pas sous tension.	Contrôlez le fusible / disjoncteur au tableau électrique.
	Le régulateur de jet de la robinetterie est entartré ou encrassé.	Procédez au nettoyage et/ou au détartrage du régulateur de jet, ou bien remplacez-le par un modèle spécial.
	L'alimentation en eau est coupée.	Purgez l'appareil et la conduite d'arrivée d'eau froide (voir le chapitre Réglages).
La température souhaitée n'est pas atteinte.	La température maximale est réglée trop bas dans l'appareil.	Faites régler la température maximale par un installateur.
	L'appareil a atteint la limite de puissance.	Réduisez le débit de soutirage.

Appelez l'installateur si vous ne réussissez pas à éliminer la cause du problème. Pour obtenir une aide efficace et rapide, communiquez-lui le numéro indiqué sur la plaque signalétique (000000-000000).

●
●

Modèle :  N° E :

N° F :

# INSTALLATION

## 7. Sécurité

L'installation, la mise en service, la maintenance et les réparations de cet appareil doivent exclusivement être confiées à un installateur.

### 7.1 Consignes de sécurité générales

Nous garantissons le bon fonctionnement et la sécurité de fonctionnement de l'appareil uniquement si les accessoires et pièces de rechange utilisés sont d'origine.



#### Dommmages matériels

Tenez compte de la température d'arrivée d'eau maximale admissible. L'appareil peut subir des détériorations en cas de températures trop élevées. Vous pouvez limiter la température d'arrivée d'eau à l'aide d'une robinetterie thermostatique centralisée.



#### AVERTISSEMENT Électrocution

Cet appareil contient des condensateurs qui se déchargent après la mise hors tension. La tension de décharge des condensateurs peut être temporairement supérieure à 34 V CC.

## 7.2 Prescriptions, normes et réglementations



#### Remarque

Respectez toutes les prescriptions et réglementations nationales et locales en vigueur.

La résistance électrique spécifique de l'eau ne doit pas être inférieure à celle indiquée sur la plaque signalétique. Pour un réseau mixte, vous devez prendre en compte la plus faible résistance électrique de l'eau (voir chapitre « Données techniques / Tableau des données »). Votre société distributrice est en mesure de délivrer les informations relatives à la résistance électrique spécifique ou à la conductivité électrique de l'eau.

## 8. Description de l'appareil

### 8.1 Fourniture

Sont fournis avec l'appareil :

- Filtre dans l'arrivée d'eau froide
- Régulateur de jet spécial
- Flexible de raccordement 3/8, 500 mm de longueur, avec joints d'étanchéité\*
- Raccord en T 3/8\*
- Logo de la société pour le montage sur évier

\* pour le raccordement en tant qu'appareil sous pression

## 8.2 Accessoires

### Régulateur de jet spécial



#### Remarque

Lorsque le régulateur de jet spécial est installé dans la robinetterie, vous obtenez un jet d'eau optimal.

### Robinetteries

- Utilisez des robinetteries appropriées.

### Robinetteries à écoulement libre

- MAW (OT) Robinetterie murale pour montage sur évier
- MAZ (UT) Robinetterie de lavabo à deux manettes
- MAE (UTE) Robinetterie de lavabo à une manette

### Robinetteries sous pression

Des robinetteries sous pression adaptées sont disponibles dans le commerce spécialisé.

## 9. Travaux préparatoires

- Rincez soigneusement la conduite d'eau.

### Installation hydraulique

Aucune soupape de sécurité n'est nécessaire.

## 10. Montage

### 10.1 Lieu d'installation

Installez l'appareil dans un local hors gel à proximité du robinet du point de soutirage.

Veillez à ce que les vis de fixation latérales du capot soient accessibles.

L'appareil est conçu pour un montage sous évier (raccordement hydraulique par le haut) et pour un montage sur évier (raccordement hydraulique par le bas).



#### **DANGER Risque d'électrocution**

**La vis de réglage du débit de soutirage est sous tension et le degré de protection IP 25 n'est assuré que si la paroi arrière de l'appareil est en place.**

- Montez toujours la paroi arrière de l'appareil.

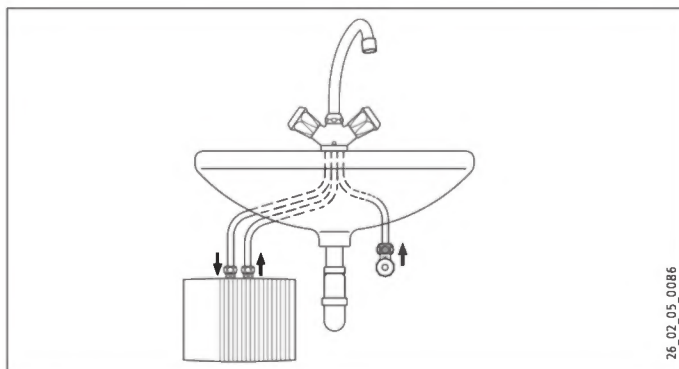
# INSTALLATION

## Montage

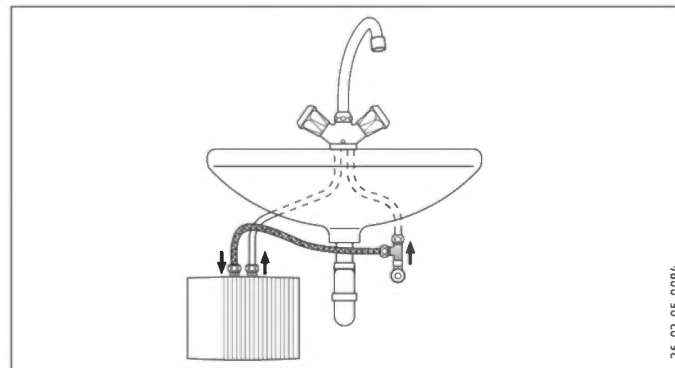
### 10.2 Variantes de pose

#### 10.2.1 Montage sous évier

Écoulement libre, avec robinetterie à écoulement libre



### Sous pression, avec robinetterie sous pression



### Pose de l'appareil

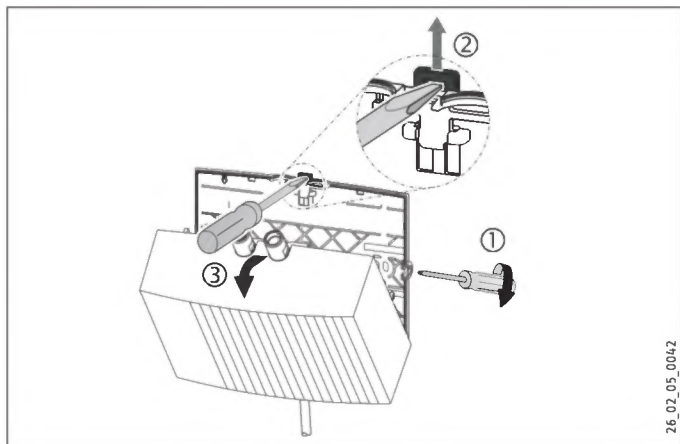


#### Remarque

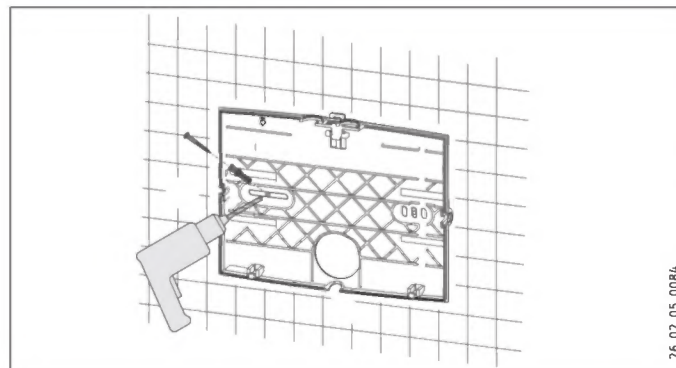
- Fixez l'appareil au mur.  
Le mur doit être suffisamment porteur.

# INSTALLATION

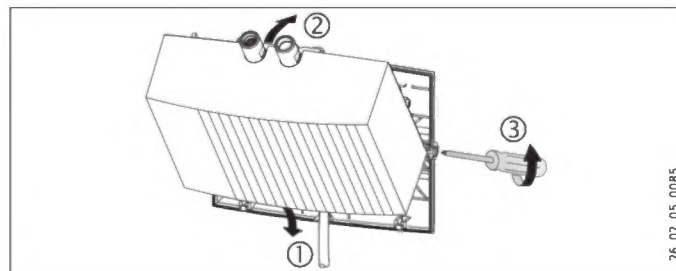
## Montage



- ▶ Desserrez sur deux tours les vis de fixation du capot.
- ▶ Déverrouillez le bouchon à déclic à l'aide d'un tournevis.
- ▶ Retirez le capot de l'appareil avec le système de chauffe par l'avant.
- ▶ Rompez l'ouverture de passage du câble de raccordement électrique dans le capot de l'appareil à l'aide d'une pince. Ébavurez les contours avec une lime au besoin.



- ▶ Utilisez la paroi arrière de l'appareil comme gabarit de perçage.
- ▶ Fixez la paroi arrière de l'appareil au mur à l'aide des vis et des chevilles.



26\_02\_05\_0084

FRANÇAIS

### Montage

- ▶ Passez le câble de raccordement électrique par le capot de l'appareil.
- ▶ Accrochez le bas du capot avec le système de chauffe.
- ▶ Encliquez le système de chauffe dans le bouchon à dé clic.
- ▶ Fixez le capot à l'aide de ses vis de fixation.

#### Pose de la robinetterie

- ▶ Posez la robinetterie. Tenez compte des notice d'utilisation et d'installation de la robinetterie.



#### Domages matériels

- ▶ Lors du montage des raccords, la partie côté appareil doit impérativement être maintenue à l'aide d'une clé d'ouverture 14.

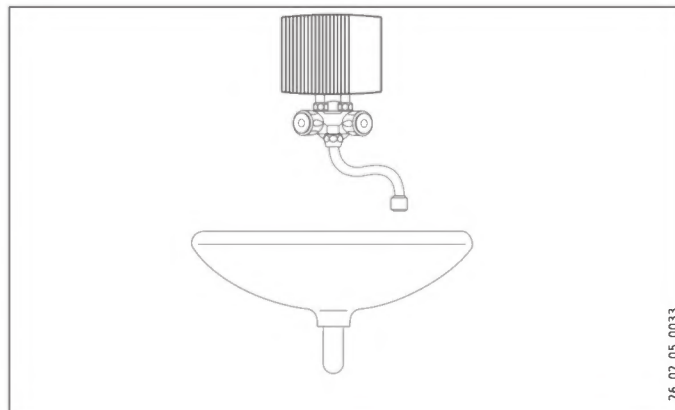
#### Robinetterie sous pression



#### Remarque

- ▶ Installez le flexible de raccordement 3/8 et le raccord en T 3/8 fournis.

#### 10.2.2 Montage sur évier à écoulement libre, avec robinetterie à écoulement libre



26\_02\_05\_0033

#### Pose de la robinetterie

- ▶ Posez la robinetterie. Tenez compte des notice d'utilisation et d'installation de la robinetterie.



#### Domages matériels

- ▶ Lors du montage des raccords, la partie côté appareil doit impérativement être maintenue à l'aide d'une clé d'ouverture 14, voir le chapitre « Autres formes de montage / Montage sous évier ».

# INSTALLATION

## Montage

### Pose de l'appareil

- Posez l'appareil avec les raccords hydrauliques montés sur la robinetterie.

### 10.3 Réalisation du raccordement électrique



**DANGER Risque d'électrocution**  
Exécutez tous les travaux de raccordement et d'installation électriques conformément aux prescriptions.



**DANGER Risque d'électrocution**  
Veillez à ce que l'appareil soit raccordé au conducteur de mise à la terre.  
L'appareil doit pouvoir être déconnecté du secteur par un dispositif de coupure multipolaire ayant une ouverture minimale des contacts de 3 mm.



**DANGER Risque d'électrocution**  
Les appareils sont équipés d'origine d'un cordon de raccordement (EIL 3 Premium avec fiche).  
Il est possible de brancher l'appareil sur une ligne électrique fixe à condition que celle-ci présente des conducteurs d'une section au moins égale à celle du cordon de l'appareil. Ces conducteurs doivent avoir une section de 3 x 6 mm<sup>2</sup> au maximum.  
► Si l'appareil est monté sur l'évier, vous devez faire passer le câble d'alimentation électrique derrière l'appareil.



#### **Domages matériels**

Si vous branchez l'appareil sur une prise secteur 2P+T (dans le cas d'un cordon d'alimentation avec fiche), veillez à ce que celle-ci reste accessible une fois l'appareil installé.



#### **Domages matériels**

Respectez les indications de la plaque signalétique. La tension indiquée doit correspondre à la tension du secteur.

- Raccordez le câble d'alimentation électrique selon le schéma électrique (voir le chapitre « Données techniques / Schéma électrique »).

### 11. Mise en service

#### 11.1 Première mise en service



- ▶ Remplissez l'appareil par plusieurs soutirages en ouvrant la robinetterie jusqu'à ce que la conduite d'arrivée d'eau et l'appareil soient totalement purgés.
- ▶ Effectuez un contrôle d'étanchéité.
- ▶ Branchez la fiche du cordon dans la prise secteur 2P+T ou enclenchez le disjoncteur.
- ▶ Contrôlez le fonctionnement de l'appareil.
- ▶ Si l'appareil est posé au-dessus de l'évier, vous devez coller le logo de la société fourni sur le logo existant.

#### 11.2 Remise de l'appareil au client

- ▶ Expliquez les différentes fonctions de l'appareil à l'utilisateur, puis familiarisez-le avec son utilisation.
- ▶ Indiquez à l'utilisateur les risques encourus, notamment les risques de brûlures.
- ▶ Remettez-lui cette notice.

#### 11.3 Remise en marche



##### **Dommages matériels**

Après une coupure d'eau, l'appareil doit être remis en fonctionnement en procédant comme suit pour ne pas détruire le système de chauffe à fil nu.

- ▶ Mettez l'appareil hors tension. Débranchez la fiche du cordon de la prise secteur ou déclenchez le disjoncteur.
- ▶ Voir le chapitre « Première mise en service ».

#### 11.4 Configuration

Vous pouvez modifier les valeurs maximales du débit de soutirage et de la température.



##### **DANGER Risque d'électrocution**

**Le changement du réglage du débit de soutirage et de la température n'est autorisé que si l'appareil est coupé du secteur.**

- ▶ Débranchez tous les pôles de l'appareil raccordés au secteur.



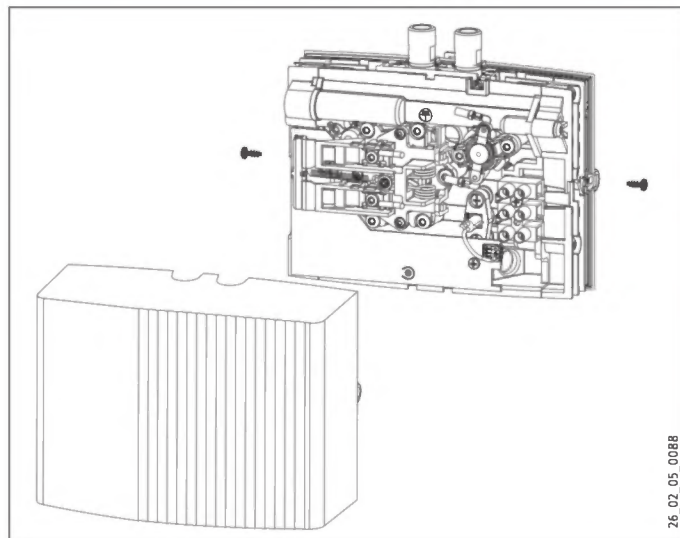
##### **DANGER Risque d'électrocution**

**La vis de réglage du débit de soutirage et le potentiomètre de réglage de la température sont sous tension si l'appareil n'est pas coupé du secteur.**



# INSTALLATION

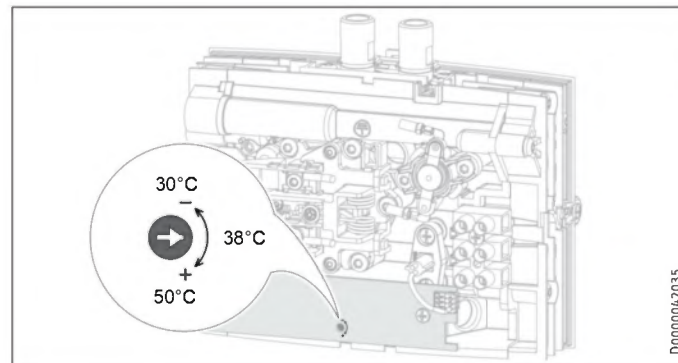
## Mise en service



- Retirez le capot.

### Réglage de la température maximale

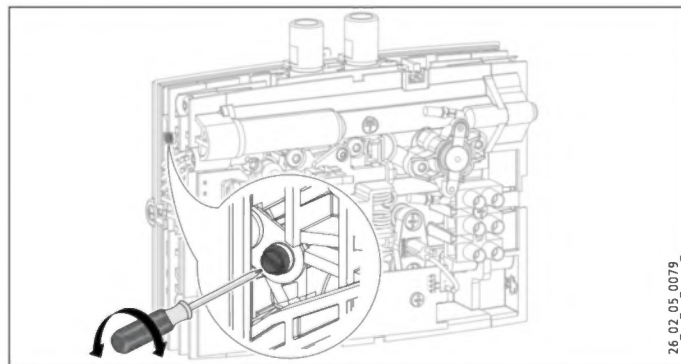
Réglage d'usine : 38 °C



- Réglez le potentiomètre sur la température maximale souhaitée à l'aide d'un tournevis.
- Reposez le capot.

### Limitation du débit de soutirage

Réglage d'usine : Débit de soutirage maximal



- ▶ Réglez le débit de soutirage maximal souhaité à l'aide de la vis de réglage :
  - Le plus petit débit = visser la vis jusqu'en butée.
  - Le plus grand débit = dévisser la vis jusqu'en butée.
- ▶ Remettez le capot.

### 12. Mise hors service

- ▶ Séparez l'appareil du secteur à l'aide du disjoncteur de l'installation domestique ou débranchez la fiche du cordon d'alimentation.
- ▶ Vidangez l'appareil (voir le chapitre « Maintenance »).

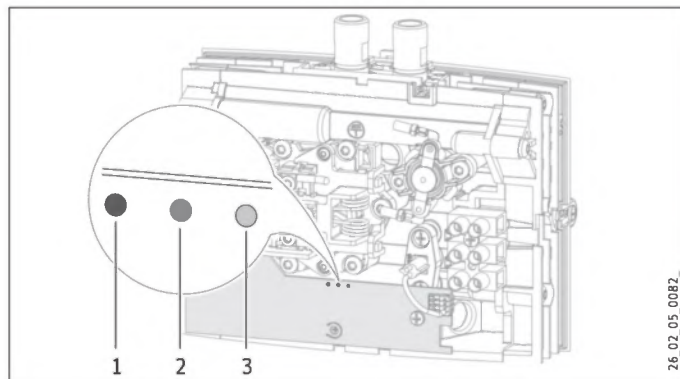
### 13. Aide au dépannage

Problème	Cause	Remède
L'appareil ne démarre pas, bien que le robinet d'eau chaude soit entièrement ouvert.	Le régulateur de jet de la robinetterie est entartré ou encrassé.	Procédez au nettoyage et/ou au détartrage du régulateur de jet, ou bien remplacez-le par un modèle spécial.
	Le débit est réglé trop bas.	Augmentez le débit.
	Le filtre de l'arrivée d'eau froide est colmaté.	Nettoyez le filtre après avoir coupé l'arrivée d'eau froide.
	Le système de chauffe est défectueux.	Mesurez la résistance du système de chauffe et, le cas échéant, remplacez l'appareil.
	Le pressostat de sécurité s'est déclenché.	Supprimez l'origine du défaut. Mettez l'appareil hors tension, puis faites chuter totalement la pression dans la conduite d'eau. Activez le pressostat de sécurité.
La température souhaitée n'est pas atteinte.	L'appareil a atteint la limite de puissance.	Réduisez le débit de soutirage.

# INSTALLATION

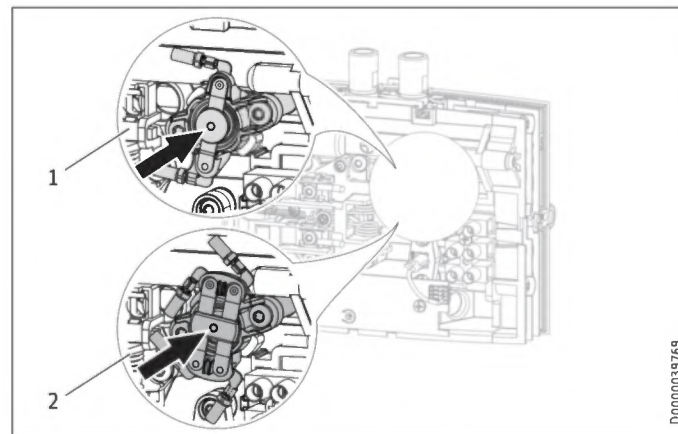
## Aide au dépannage

### Voyants à diodes électroluminescentes



- 1 Voyant rouge allumé, perturbation
- 2 Voyant jaune allumé, chauffage activé
- 3 Voyant vert clignotant, alimentation électrique de l'électronique

### Activation du pressostat de sécurité



- 1 Pressostat de sécurité à 1 broche EIL 4 Premium / EIL 6 Premium
- 2 Pressostat de sécurité à 2 broches EIL 3 Premium / EIL 7 Premium

### 14. Maintenance



**DANGER Risque d'électrocution**  
Avant toute intervention, débranchez l'appareil sur tous les pôles.

#### 14.1 Vidange de l'appareil



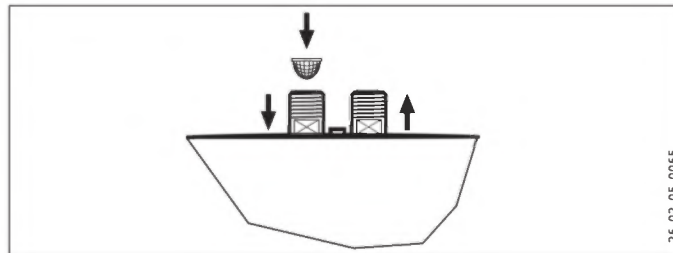
**DANGER Brûlure**  
L'eau vidangée peut être très chaude.

Si l'appareil doit être vidangé pour les travaux de maintenance ou en vue de protéger l'ensemble de l'installation en cas de risque de gel, veuillez procéder comme suit :

- ▶ Fermez le robinet d'arrêt de l'arrivée d'eau froide.
- ▶ Ouvrez le robinet de soutirage.
- ▶ Desserrez les raccords hydrauliques de l'appareil.

#### 14.2 Nettoyage du filtre

Vous pouvez nettoyer le filtre intégré une fois que la conduite de raccordement d'eau froide a été démontée.



#### 14.3 Contrôles selon VDE 0701/0702

##### Contrôle du conducteur de mise à la terre

- ▶ Contrôlez le conducteur de terre (en Allemagne p. ex. DGUV A3) au contact du conducteur de terre sur la ligne électrique et au manchon de raccordement de l'appareil.

##### Résistance d'isolement

En raison de la commande électronique de cet appareil, il est impossible d'effectuer une mesure de résistance d'isolement conformément à la norme VDE 0701/0702.

## Caractéristiques techniques

- ▶ Dans le but de vérifier l'efficacité des propriétés d'isolement de cet appareil, nous recommandons d'effectuer une mesure du différentiel courant de terre / courant de fuite selon la norme VDE 0701/0702 (Figure C.3b).

### 14.4 Stockage de l'appareil

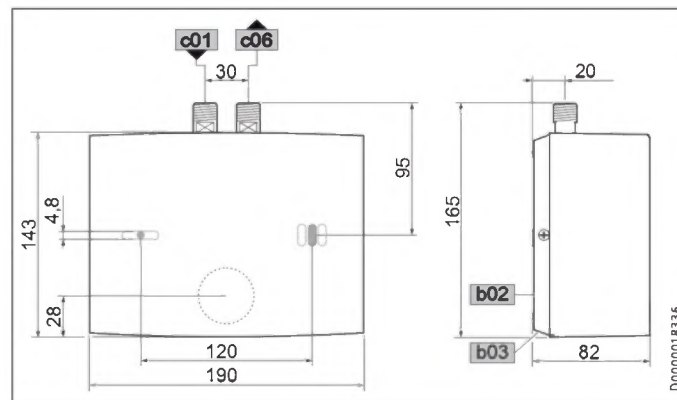
- ▶ Veuillez à protéger du gel tout appareil déposé, car celui-ci contient encore de l'eau pouvant geler et provoquer des dommages.

### 14.5 Remplacement du câble d'alimentation électrique sur le EIL 6 Premium

- ▶ Sur le EIL 6 Premium, en cas de remplacement, vous devez utiliser un câble électrique de 4 mm<sup>2</sup>.

## 15. Caractéristiques techniques

### 15.1 Cotes et raccordements

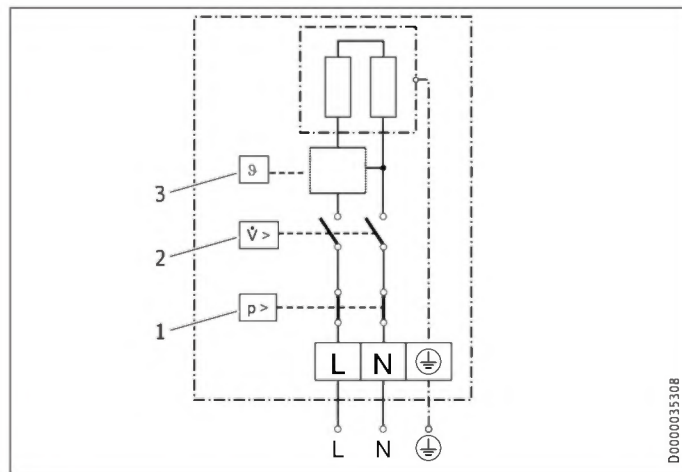


b02	Passage des câbles électriques I		
b03	Passage des câbles électriques II		
c01	Arrivée eau froide	Filetage mâle	G 3/8 A
c06	Sortie eau chaude	Filetage mâle	G 3/8 A

### 15.2 Schéma électrique

#### 15.2.1 EIL 3 Premium

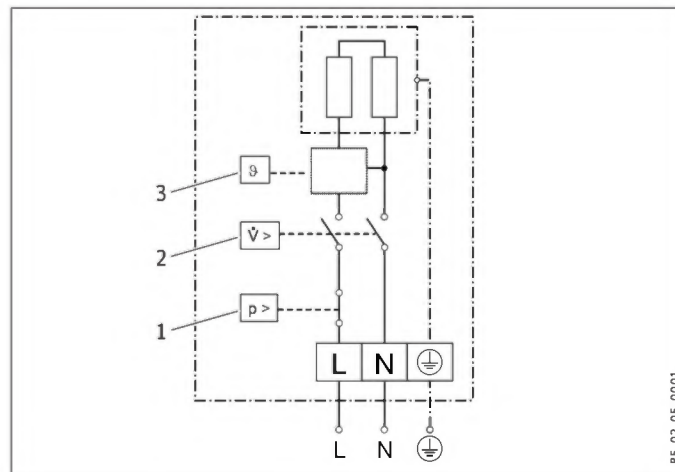
1/N/PE ~ 200-240 V



- 1 Pressostat de sécurité
- 2 Pressostat différentiel
- 3 Électronique avec sonde de température de sortie

#### 15.2.2 EIL 4 Premium et EIL 6 Premium

1/N/PE ~ 200-240 V



- 1 Pressostat de sécurité
- 2 Pressostat différentiel
- 3 Électronique avec sonde de température de sortie



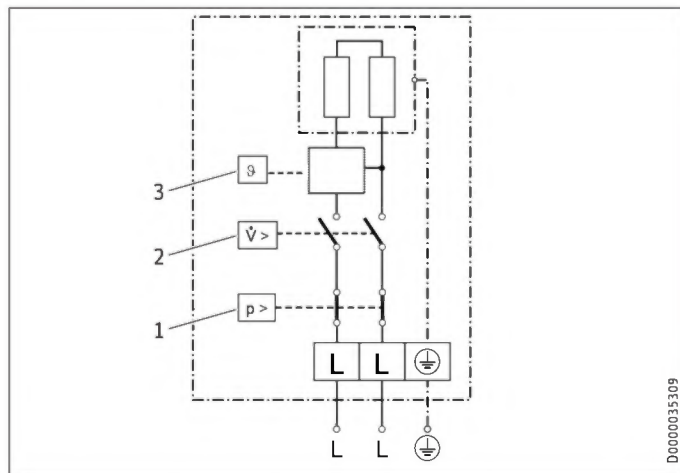
#### ! Dommages matériels

- Dans le cas d'une alimentation électrique par installation fixe, branchez le câble de raccordement électrique selon l'affectation des bornes indiquée sur le schéma.

# INSTALLATION

## Caractéristiques techniques

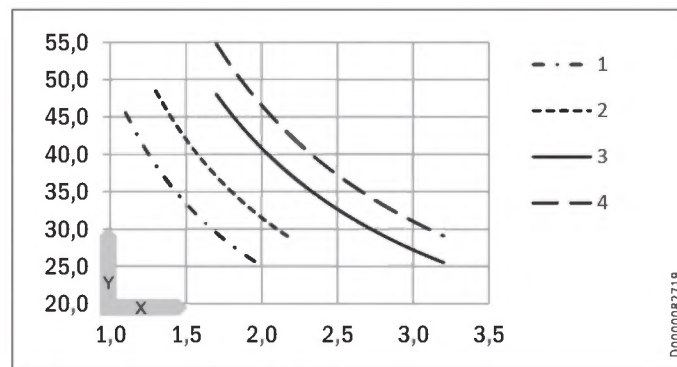
### 15.2.3 EIL 7 Premium 2/PE ~ 380-400 V



- 1 Pressostat de sécurité
- 2 Pressostat différentiel
- 3 Électronique avec sonde de température de sortie

### 15.3 Augmentation de la température

Avec une tension secteur de 230 V / 400 V, on obtient les hausses de température suivantes de l'eau :



X Débit de soutirage en l/min  
Y Hausse de température en K

- 1 3,5 kW - 230 V
- 2 4,4 kW - 230 V
- 3 5,7 kW - 230 V
- 4 6,5 kW - 400 V

#### Exemple EIL 3 Premium à 3,5 kW

Débit volumique	l/min	2,0
Augmentation de la température	K	25
Température d'arrivée eau froide	°C	12
Température maximale de sortie possible eau chaude	°C	37

### 15.4 Plages d'utilisation

**Résistance électrique spécifique et conductivité électrique spécifique, voir « Tableau des données ».**

Indication normalisée à 15 °C	20 °C			25 °C				
	Résistance	Résistance	Résistance	Résistance	Résistance	Résistance		
$\rho \geq$	Conductivité $\sigma \leq$	spécifique $\rho \geq$	Conductivité $\sigma \leq$	spécifique $\rho \geq$	Conductivité $\sigma \leq$	spécifique $\rho \geq$		
$\Omega\text{cm}$	mS/m	$\mu\text{S/cm}$	$\Omega\text{cm}$	mS/m	$\mu\text{S/cm}$	$\Omega\text{cm}$	mS/m	$\mu\text{S/cm}$
1000	100	1000	890	112	1124	815	123	1227
1300	77	769	1175	85	851	1072	93	933



### 15.5 Indications relatives à la consommation énergétique

Fiche produit : Chauffe-eau conventionnels selon règlement (UE) n° 812/2013 | 814/2013

		EIL 3 Premium	EIL 4 Premium	EIL 6 Premium	EIL 7 Premium
		200134	200135	200136	200137
Fabricant		STIEBEL ELTRON	STIEBEL ELTRON	STIEBEL ELTRON	STIEBEL ELTRON
Profil de soutirage		XXS	XXS	XXS	XS
Classe d'efficacité énergétique		A	A	A	A
Efficacité énergétique pour le chauffage de l'eau par conditions climatiques moyennes	%	39	38	39	40
Consommation annuelle d'électricité	kWh	478	478	478	467
Réglage d'usine de la température	°C	38	38	38	38
Niveau de puissance acoustique	dB(A)	15	15	15	15
Indication spécifique pour la mesure de l'efficacité		aucun	aucun	aucun	aucun
Consommation journalière d'électricité	kWh	2,200	2,200	2,200	2,130

### 15.6 Tableau des données

		EIL 3 Premium				EIL 4 Premium				EIL 6 Premium				EIL 7 Premium	
		200134				200135				200136				200137	
<b>Données électriques</b>															
Tension nominale	V	200	220	230	240	200	220	230	240	200	220	230	240	380	400
Puissance nominale	kW	2,7	3,2	3,53	3,8	3,3	4,0	4,4	4,8	4,3	5,2	5,7	6,2	5,9	6,5
Intensité nominale	A	13,3	14,5	15,2	15,8	16,7	18,2	19,1	20,0	21,6	23,6	24,7	25,8	15,5	16,3
Protection (électrique)	A	16				20				25	25	25	32	16	20
Fréquence	Hz	50/60				50/60				50/60				50/-	50/-
Phases		1/N/PE				1/N/PE				1/N/PE				2/PE	
Résistance spécifique $\rho_{15} \geq$ (pour $\vartheta_{\text{froid}} \leq 25 \text{ °C}$ )	$\Omega \text{ cm}$	1000				1000				1000				1000	
Conductivité spécifique $\sigma_{15} \leq$ (pour $\vartheta_{\text{froid}} \leq 25 \text{ °C}$ )	$\mu\text{S/cm}$	1000				1000				1000				1000	
Résistance spécifique $\rho_{15} \geq$ (pour $\vartheta_{\text{froid}} > 25 \text{ °C}$ )	$\Omega \text{ cm}$	1300				1300				1300				1300	
Conductivité spécifique $\sigma_{15} \leq$ (pour $\vartheta_{\text{froid}} > 25 \text{ °C}$ )	$\mu\text{S/cm}$	770				770				770				770	
Impédance de réseau maximale à 50 Hz	$\Omega$	0,083	0,079	0,076		0,065	0,063	0,06		0,049	0,047	0,045		0,236	0,225
<b>Raccordements</b>															
Raccordement hydraulique		G 3/8 A				G 3/8 A				G 3/8 A				G 3/8 A	
<b>Limites d'utilisation</b>															
Pression max. admissible	MPa	1				1				1				1	
Température maximale d'entrée d'eau pour chauffage d'appoint	$^{\circ}\text{C}$	50				50				50				50	
<b>Valeurs</b>															
Température d'arrivée max. admissible	$^{\circ}\text{C}$	55				55				55				55	
Plage de réglage de température eau chaude	$^{\circ}\text{C}$	30-50				30-50				30-50				30-50	

# INSTALLATION

## Caractéristiques techniques

		EIL 3 Premium	EIL 4 Premium	EIL 6 Premium	EIL 7 Premium
Activé	l/min	>1,5	>1,8	>2,2	>2,2
Pertes de charge avec débit	MPa	0,05	0,06	0,07	0,07
Débit pour pertes de charge	l/min	1,5	1,8	2,2	2,2
Limitation du débit à	l/min	2,0	2,2	3,2	3,2
Eau chaude à disposition	l/min	2,0	2,2	3,2	3,7
$\Delta\theta$ pour mise à disposition	K	25	25	25	25
<b>Données hydrauliques</b>					
Capacité nominale	l	0,1	0,1	0,1	0,1
<b>Versions</b>					
Montage sur évier		X	X	X	X
Type de montage sous évier		X	X	X	X
Construction à écoulement libre		X	X	X	X
Construction sous pression		X	X	X	X
Classe de protection		1	1	1	1
Bloc isolant		plastique	plastique	plastique	plastique
Générateur de chaleur système de chauffage		Fil nu	Fil nu	Fil nu	Fil nu
Cache et panneau arrière		plastique	plastique	plastique	plastique
Couleur		blanc	blanc	blanc	blanc
Indice de protection (IP)		IP 25	IP 25	IP 25	IP 25
<b>Dimensions</b>					
Hauteur	mm	143	143	143	143
Largeur	mm	190	190	190	190
Profondeur	mm	82	82	82	82
Longueur du câble de raccordement	mm	700	700	700	700
<b>Poids</b>					
Poids	kg	1,5	1,5	1,5	1,5



### Remarque

L'appareil est conforme à la norme CEI 61000-3-12.

---

## Garantie

Les conditions de garantie de nos sociétés allemandes ne s'appliquent pas aux appareils achetés hors d'Allemagne. Au contraire, c'est la filiale chargée de la distribution de nos produits dans le pays qui est seule habilitée à accorder une garantie. Une telle garantie ne pourra cependant être accordée que si la filiale a publié ses propres conditions de garantie. Il ne sera accordé aucune garantie par ailleurs.

Nous n'accordons aucune garantie pour les appareils achetés dans des pays où aucune filiale de notre société ne distribue nos produits. D'éventuelles garanties accordées par l'importateur restent inchangées.

## Environnement et recyclage

Merci de contribuer à la préservation de notre environnement. Après usage, procédez à l'élimination des matériaux conformément à la réglementation nationale.

## BIJZONDERE INSTRUCTIES

### BEDIENING

<b>1. Algemene voorschriften</b>	<b>55</b>
1.1 Veiligheidsinstructies	55
1.2 Andere aandachtspunten in deze documentatie	56
1.3 Meeteenheden	56
<b>2. Veiligheid</b>	<b>57</b>
2.1 Reglementair gebruik	57
2.2 Algemene veiligheidsvoorschriften	57
2.3 Keurmerk	58
<b>3. Toestelbeschrijving</b>	<b>58</b>
<b>4. Instellingen</b>	<b>58</b>
<b>5. Reiniging, onderhoud en revisie</b>	<b>59</b>
<b>6. Problemen verhelpen</b>	<b>59</b>

### INSTALLATIE

<b>7. Veiligheid</b>	<b>60</b>
7.1 Algemene veiligheidsvoorschriften	60
7.2 Voorschriften, normen en bepalingen	60
<b>8. Toestelbeschrijving</b>	<b>60</b>
8.1 Leveringsomvang	60
8.2 Toebehoren	61
<b>9. Voorbereidingen</b>	<b>61</b>
<b>10. Montage</b>	<b>61</b>
10.1 Montageplaats	61
10.2 Montagealternatieven	62

10.3 Elektriciteit aansluiten	65
<b>11. Ingebruikname</b>	<b>66</b>
11.1 Eerste ingebruikname	66
11.2 Overdracht van het toestel	66
11.3 Opnieuw in gebruik nemen	66
11.4 Instellingen	66
<b>12. Buitendienststelling</b>	<b>68</b>
<b>13. Storingen verhelpen</b>	<b>68</b>
<b>14. Onderhoud</b>	<b>70</b>
14.1 Het toestel aftappen	70
14.2 Zeef reinigen	70
14.3 Controles volgens VDE 0701/0702	70
14.4 Opslag van het toestel	71
14.5 De elektrische aansluitkabel bij de EIL 6 Premium vervangen	71
<b>15. Technische gegevens</b>	<b>71</b>
15.1 Afmetingen en aansluitingen	71
15.2 Schakelschema	72
15.3 Temperatuurverhoging	73
15.4 Toepassingsmogelijkheden	74
15.5 Gegevens over het energieverbruik	74
15.6 Gegevenstabel	75

### GARANTIE

### MILIEU EN RECYCLING

# BIJZONDERE INSTRUCTIES

- Het toestel kan door kinderen vanaf 3 jaar, alsmede door personen met fysieke, zintuiglijke of geestelijke beperkingen of met een gebrek aan ervaring en kennis gebruikt worden, wanneer er toezicht op hen gehouden wordt, of wanneer ze met betrekking tot het veilige gebruik van het toestel getraind zijn en de gevaren die daaruit ontstaan, begrepen hebben. Kinderen mogen niet met het toestel spelen. Kinderen mogen zonder toezicht het toestel niet reinigen noch gebruikersonderhoud uitvoeren.
- De kraan kan warmer worden dan 55 °C. Bij uitlooptemperaturen van meer dan 43 °C bestaat gevaar voor brandwonden.
- Het toestel moet op alle polen met een afstand van minstens 3 mm van de aansluiting van het net kunnen worden losgekoppeld.
- De aangegeven spanning moet overeenkomen met de netspanning.
- Het toestel moet permanent op een vaste bedrading aangesloten worden, uitzondering EIL 3 Premium.
- De stroomkabel mag bij beschadiging of vervanging alleen worden vervangen door een origineel onderdeel en door een installateur die daartoe door de fabrikant gemachtigd is.
- Monteer het toestel zoals beschreven in het hoofdstuk “Installatie / Montage”.
- Neem de maximaal toegelaten druk in acht (zie hoofdstuk “Installatie / Technische gegevens / Gegevenstabel”).

- De specifieke waterweerstand van het watervoorzieningsnetwerk mag niet onderschreden worden (zie hoofdstuk “Installatie / Technische gegevens / Gegevenstabel”).
- Tap het toestel af zoals beschreven in het hoofdstuk “Installatie / Onderhoud / Het toestel aftappen”.

## BEDIENING

### 1. Algemene voorschriften

Het hoofdstuk “Bediening” is bedoeld voor de gebruiker van het toestel en voor de installateur.

Het hoofdstuk “Installatie” is bedoeld voor de installateur.



#### Info

Lees deze handleiding voor gebruik zorgvuldig door en bewaar deze.

Geef de handleiding door aan een volgende gebruiker indien van toepassing.

### 1.1 Veiligheidsinstructies

#### 1.1.1 Opbouw veiligheidsinstructies



#### TREFWOORD Soort gevaar

Hier worden de mogelijke gevolgen vermeld, wanneer de veiligheidsinstructies genegeerd worden.

► Hier staan maatregelen om gevaren te voorkomen.

## BEDIENING

### Algemene voorschriften

#### 1.1.2 Symbolen, soort gevaar

Symbool	Soort gevaar
	Letsel
	Elektrische schok
	Verbranding (verbranding, verschroeiing)

#### 1.1.3 Trefwoorden

TREFWOORD	Betekenis
GEVAAR	Instructies die leiden tot zwaar letsel of overlijden, wanneer deze niet in acht genomen worden.
WAARSCHUWING	Instructies die kunnen leiden tot zwaar letsel of overlijden, wanneer deze niet in acht genomen worden.
VOORZICHTIG	Instructies die kunnen leiden tot middelmatig zwaar of licht letsel, wanneer deze niet in acht genomen worden.



#### 1.2 Andere aandachtspunten in deze documentatie



##### Info

Aanwijzingen staan tussen horizontale lijnen. Algemene aanwijzingen worden aangeduid met het hiernaast afgebeelde symbool.

► Lees de instructieteksten grondig door.

Symbol	
	Materiële schade (toestel-, gevolg-, milieuschade)
	Het toestel afdanken

► Dit symbool geeft aan dat u iets moet doen. De vereiste handelingen worden stap voor stap beschreven.

#### 1.3 Meeteenheden



##### Info

Tenzij anders wordt vermeld, wordt de maateenheid in millimeter aangegeven.



## 2. Veiligheid

### 2.1 Reglementair gebruik

Het toestel is bestemd voor huishoudelijk gebruik. Het kan op een veilige manier bediend worden door personen die niet zijn geïnstrueerd in het gebruik ervan. Het toestel kan ook buiten het huishouden gebruikt worden, bijv. in een klein bedrijf, voor zover het op dezelfde wijze gebruikt wordt.

Het toestel is geschikt voor de opwarming van tapwater of voor de bijverwarming van water dat voorverwarmd is. Het toestel is bedoeld voor een handwastafel.

Elk ander gebruik dat verder gaat dan wat hier wordt omschreven, geldt als niet reglementair. Onder reglementair gebruik valt ook het in acht nemen van deze handleiding evenals de handleidingen voor het gebruikte toebehoren.

### 2.2 Algemene veiligheidsvoorschriften



**GEVAAR voor verschroeiing**  
De kraan kan warmer worden dan 55 °C.  
Bij uitlooptemperaturen van meer dan 43 °C bestaat ge-  
vaar voor brandwonden.



#### **WAARSCHUWING** letsel

Het toestel kan door kinderen vanaf 3 jaar, alsmede door personen met fysieke, zintuiglijke of geestelijke beperkingen of met een gebrek aan ervaring en kennis gebruikt worden, wanneer er toezicht op hen gehouden wordt, of wanneer ze met betrekking tot het veilige gebruik van het toestel getraind zijn en de gevaren die daaruit ontstaan, begrepen hebben. Kinderen mogen niet met het toestel spelen. Kinderen mogen zonder toezicht het toestel niet reinigen noch gebruikersonderhoud uitvoeren.



#### **GEVAAR** Elektrische schok

Een beschadigde elektrische aansluitkabel moet door een vakman worden vervangen. Daardoor worden mogelijke risico's uitgesloten.



#### **Materiële schade**

Bescherm het toestel en de kraan tegen vorst.



#### **Materiële schade**

Gebruik alleen de meegeleverde speciale straalregelaar. Voorkom kalkaanslag aan de kraanuitlopen (zie het hoofdstuk "Reiniging, verzorging en onderhoud").

#### 2.3 Keurmerk

Zie het typeplaatje op het toestel.

### 3. Toestelbeschrijving

De elektronisch geregelde mini-doorstomer houdt de uitlooptemperatuur tot aan de vermogensgrens constant, onafhankelijk van de aanvoertemperatuur.

Het toestel is in de fabriek ingesteld op de voor het wassen van de handen geschikte temperatuur. Als die temperatuur eenmaal is bereikt, reduceert de elektronica automatisch het vermogen. Het vermogen wordt aangepast aan de gewenste temperatuur, dus wordt de temperatuur niet overschreden.

Het toestel verwarmt het water direct bij het tappunt zodra de kraan opengedraaid wordt. Door het korte leidingtraject ontstaan slechts geringe energie- en waterverliezen.

Het warmwatervermogen is afhankelijk van de koudwaterinlooptemperatuur, het verwarmingsvermogen en het doorstroomvolume.

Het blankdraadelement is geschikt voor kalkarm en kalkhoudend water. Het verwarmingssysteem is in grote mate ongevoelig voor verkalking. Het verwarmingssysteem zorgt voor een snelle en efficiënte warmwateraanbieding aan de handwastafel.

De vakman kan de maximale waarden voor temperatuur en debiet instellen (zie het hoofdstuk “Ingebruikname/instellingen”).

De inbouw van de meegeleverde speciale straalregelaar resulteert in een optimale waterstraal.

### 4. Instellingen

Zodra u de warmwaterkraan opendraait of de sensor van een sensorkraan activeert, wordt automatisch het verwarmingssysteem van het toestel ingeschakeld. Het water wordt verwarmd. U kunt de temperatuur van het water met de kraan instellen:

Zie het hoofdstuk “Technische gegevens” voor meer informatie over de tapdrempel en debietbegrenzing.

#### Temperatuur verhogen

- ▶ Smoor het doorstroomvolume bij de kraan.

#### Temperatuur verlagen

- ▶ Draai de kraan verder open of meng meer koud water bij.

#### Na onderbreking van de watertoevoer

Zie het hoofdstuk “Ingebruikname/opnieuw in gebruik nemen”.

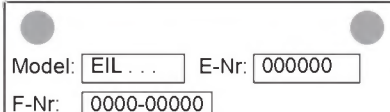
### 5. Reiniging, onderhoud en revisie

- ▶ Gebruik geen schurende reinigingsmiddelen of reinigingsmiddelen die oplosmiddelen bevatten. Een vochtige doek volstaat om het toestel te onderhouden en te reinigen.
- ▶ Controleer regelmatig de kranen. Verwijder kalk op de kraanuitlopen met in de handel verkrijgbare ontkalkingsmiddelen.
- ▶ Laat de elektrische veiligheid van het toestel periodiek controleren door een installateur.
- ▶ Ontkalk of vervang de speciale straalregelaar van de kraan regelmatig (zie het hoofdstuk "Toestelbeschrijving/accessoires").

### 6. Problemen verhelpen

Probleem	Oorzaak	Oplossing
Toestel schakelt niet maar de kraan staat open.	Het toestel heeft geen spanning.	Controleer de zekering van de huisinstallatie.
	De straalregelaar in de kraan is vuil of verkalkt.	Reinig en/of ontkalk de straalregelaar of vervang de speciale straalregelaar.
	De watervoorziening is onderbroken.	Ontlucht het toestel en de koudwatertoevoerleiding (zie het hoofdstuk "Instellingen").
De gewenste temperatuur wordt niet bereikt.	De maximumtemperatuur is in het toestel te laag ingesteld.	Laat de maximumtemperatuur opnieuw instellen door de vakman.
	Het toestel heeft de grens van zijn vermogen bereikt.	Reduceer het debiet.

Neem contact op met de installateur als u de oorzaak van het probleem zelf niet kunt verhelpen. Hij kan u sneller en beter helpen als u hem het nummer op het typeplaatje doorgeeft (000000-0000-00000).



Model:  E-Nr:

F-Nr:

# INSTALLATIE

## 7. Veiligheid

Installatie, gebruik, onderhoud en reparatie van het toestel mogen alleen door een gekwalificeerde installateur uitgevoerd worden.

### 7.1 Algemene veiligheidsvoorschriften

Wij waarborgen de goede werking en de bedrijfszekerheid uitsluitend bij gebruik van originele onderdelen en reserveonderdelen voor het toestel.



#### Materiële schade

Houd rekening met de max. toegelaten aanvoertemperatuur. Bij hogere temperaturen kan het toestel beschadigd raken. Met een centrale thermostaatkraan kunt u de aanvoertemperatuur begrenzen.



#### WAARSCHUWING elektrische schok

Dit toestel bevat condensatoren die na ontkoppeling van het stroomnet ontladen. De ontladingspanning van de condensatoren kan in voorkomende gevallen kortstondig > 34 V DC zijn.

## 7.2 Voorschriften, normen en bepalingen



#### Info

Neem alle nationale en regionale voorschriften en bepalingen in acht.

De specifieke elektrische weerstand van het water mag niet lager zijn dan de waarde die vermeld staat op het typeplaatje. Bij een water-koppelnets moet rekening worden gehouden met de laagste elektrische weerstand van het water (zie het hoofdstuk "Technische gegevens/gegevenstabel"). De specifieke elektrische weerstand of het elektrisch geleidend vermogen van het water kunt u opvragen bij uw watermaatschappij.

## 8. Toestelbeschrijving

### 8.1 Leveringsomvang

Bij het toestel wordt het volgende geleverd:

- Zeef in de koudwatertoevoer
- Speciale straalregelaar
- Aansluitslang 3/8, 500 mm lang, met dichtingen\*
- T-stuk 3/8\*
- Bedrijfslogo voor bovenbouwmontage

\* voor de aansluiting als drukvast toestel

# INSTALLATIE

## Vorbereidingsen

### 8.2 Toebehoren

#### Speciale straalregelaar



#### Info

De inbouw van de speciale straalregelaar in de kraan resulteert in een optimale waterstraal.

#### Kranen

- Gebruik geschikte kranen.

#### Drukloze kranen

- MAW (OT) Wandkraan voor bovenbouw
- MAZ (UT) Tweegreeps wastafelkraan
- MAE (UTE) Eengreeps wastafelkraan

#### Drukvaste armaturen

Geschikte druvaste kranen vindt u in de vakhandel.

## 9. Vorbereidingsen

- Spoel de waterleiding grondig door.

#### Waterinstallatie

Een veiligheidsventiel is niet noodzakelijk.

## 10. Montage

### 10.1 Montageplaats

Monteer het toestel in een vorstvrije ruimte in de nabijheid van het aftappunt.

Zorg ervoor dat de bevestigingsschroeven aan de zijkant van de kappen bereikbaar blijven.

Het toestel is geschikt voor onderbouw (wateraansluitingen aan de bovenkant) en bovenbouw (wateraansluitingen aan de onderkant).



#### GEVAAR Elektrische schok

De stelschroef voor het debiet is spanninggeleidend en de beschermingsgraad IP 25 is enkel gewaarborgd als de achterwand van het toestel is gemonteerd.

- Monteer altijd de achterwand van het toestel.

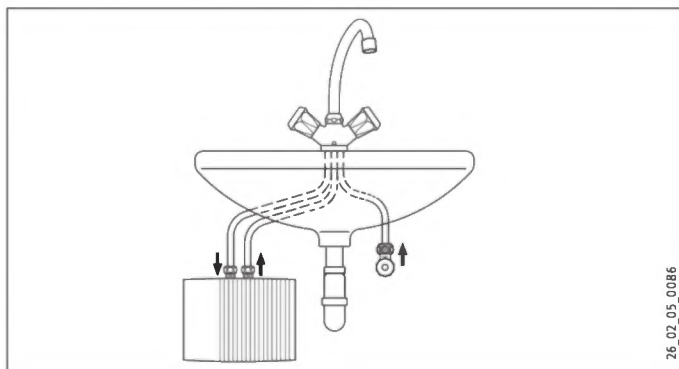
# INSTALLATIE

## Montage

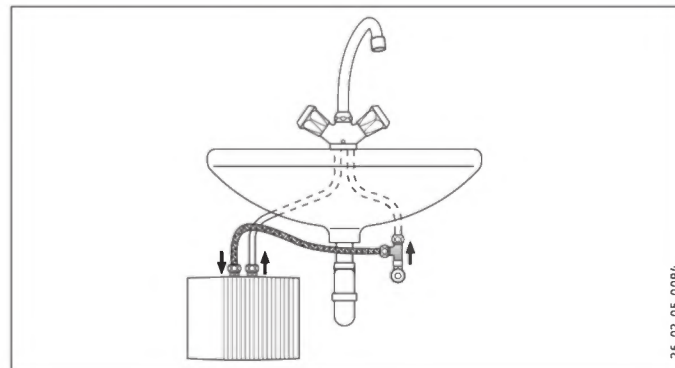
### 10.2 Montagealternatieven

#### 10.2.1 Montage onder het aanrecht

##### Drukloos, met drukloze kraan



##### Drukvast, met drukvaste kraan



#### Montage van het toestel

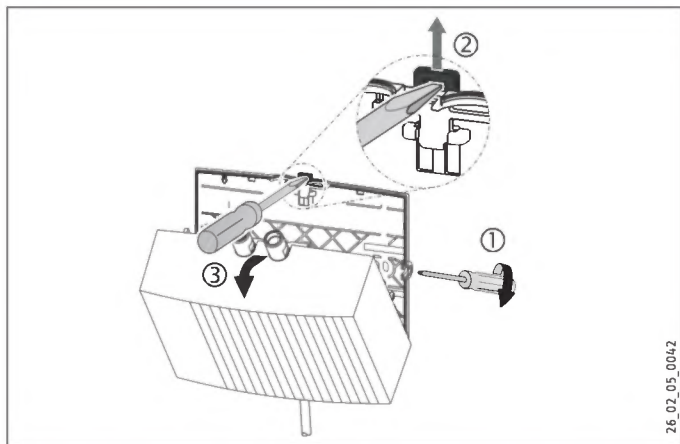


##### Info

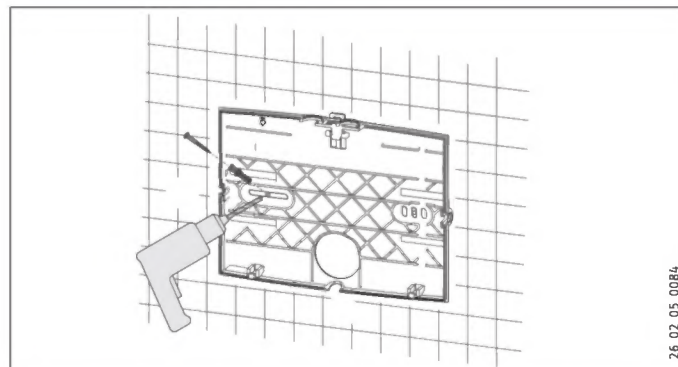
- Monteer het toestel aan de muur.  
De muur moet voldoende draagvermogen hebben.

# INSTALLATIE

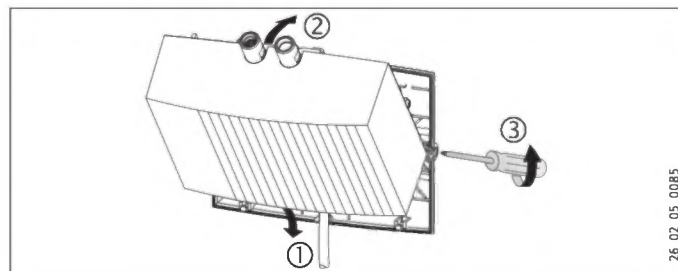
## Montage



- ▶ Draai de bevestigingsschroeven van de kappen twee slagen los.
- ▶ Ontgrendel de knipsluiting met een schroevendraaier.
- ▶ Verwijder de toestelkap met het verwarmingssysteem naar voren.
- ▶ Breek de doorvoeropening in de toestelkap voor de elektrische aansluitkabel uit met een tang. Werk de rand zo nodig bij met een vijl.



- ▶ Gebruik de achterwand van het toestel als boorsjabloon.
- ▶ Monteer de achterwand met geschikte pluggen en schroeven op de muur.



- ▶ Leid de elektrische aansluitkabel door de doorvoeropening in de achterwand.

## INSTALLATIE

### Montage

- ▶ Haak de toestelkap met het verwarmingssysteem onder in.
- ▶ Klik het verwarmingssysteem in de knipsluiting.
- ▶ Zet de toestelkap vast met de bevestigingsschroeven.

#### Montage van de kraan

- ▶ Monteer de kraan. Neem de instructies in de Bedienings- en installatiehandleiding van de kraan in acht.



#### Materiële schade

- ▶ Bij het vastzetten van de aansluitingen dient u deze bij het toestel tegen te houden met een sleutel SW 14.

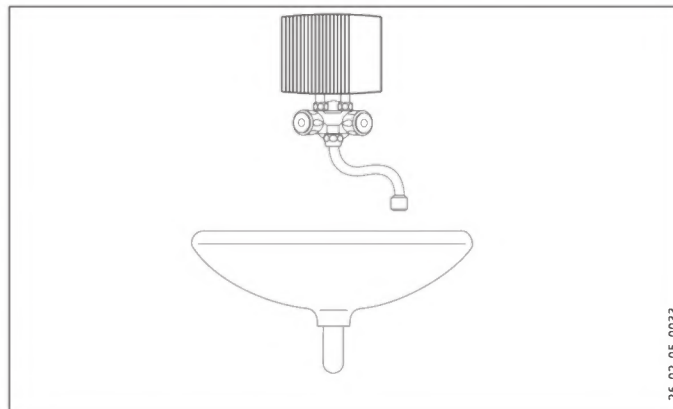
#### Drukvaste kraan



#### Info

- ▶ Monteer de meegeleverde aansluitslang 3/8 en het T-stuk 3/8.

#### 10.2.2 Bovenmontage, drukloos, met drukloze kraan



#### Montage van de kraan

- ▶ Monteer de kraan. Neem de instructies in de Bedienings- en installatiehandleiding van de kraan in acht.



#### Materiële schade

- ▶ Bij het vastzetten van de aansluitingen dient u deze bij het toestel tegen te houden met een sleutel SW 14, zie het hoofdstuk "Montagealternatieven/onderbouwmontage".



# INSTALLATIE

## Montage

### Montage van het toestel

- Monteer het toestel met de wateraansluitingen op de kraan.

### 10.3 Elektriciteit aansluiten



**GEVAAR Elektrische schok**  
Voer alle werkzaamheden voor elektriciteitsaansluitingen en montage uit conform de voorschriften.



**GEVAAR Elektrische schok**  
Zorg ervoor dat het toestel is aangesloten op de aardleiding.  
Het toestel moet op alle polen met een afstand van minstens 3 mm van de aansluiting van het net kunnen worden losgekoppeld.



**GEVAAR Elektrische schok**  
De toestellen worden geleverd met een elektrische aansluitkabel (EIL 3 Premium met stekker).  
Een aansluiting op een vaste elektrische leiding is mogelijk, als die minstens dezelfde diameter heeft als de standaardaansluitkabel. De maximale kabeldoorsnede bedraagt 3 x 6 mm<sup>2</sup>.  
► Bij een bovenbouwmontage van het toestel moet de elektrische aansluitkabel achter het toestel geleid worden.



#### Materiële schade

Zorg er bij aansluiting op een geaard stopcontact (bij toepassing van een elektrische aansluitkabel met stekker) voor dat het geaarde stopcontact na installatie van het toestel vrij toegankelijk is.



#### Materiële schade

Houd rekening met de specificaties op het typeplaatje. De aangegeven spanning moet overeenkomen met de netspanning.

- Sluit de elektrische aansluitkabel conform het elektriciteits-schakelschema aan (zie het hoofdstuk “Technische gegevens/ elektriciteitsschakelschema”).

### 11. Ingebruikname

#### 11.1 Eerste ingebruikname



- ▶ Vul het toestel en tap meerdere keren water af via de kraan tot het leidingnet en het toestel luchtvrij zijn.
- ▶ Voer een dichtheidscontrole uit.
- ▶ Steek de stekker van de elektrische aansluitkabel, als die is toegepast, in het gearde stopcontact of schakel de zekering in.
- ▶ Controleer de werkmodus van het toestel.
- ▶ Bij een bovenbouwmontage moet u het meegeleverde bedrijfslogo over het bedrijfslogo plakken.

#### 11.2 Overdracht van het toestel

- ▶ Leg aan de gebruiker de werking van het toestel uit en maak hem vertrouwd met het gebruik ervan.
- ▶ Wijs de gebruiker op mogelijke gevaren, met name het gevaar voor brandwonden.
- ▶ Overhandig hem deze handleiding.

#### 11.3 Opnieuw in gebruik nemen



##### Materiële schade

Neem het toestel met de volgende stappen weer in gebruik als de watervoorziening onderbroken is geweest, zodat het blankdraadelement niet kapot gaat.

- ▶ Schakel het toestel spanningsvrij. Trek de stekker van de elektrische aansluitkabel, als die is toegepast, uit het gearde stopcontact of schakel de zekering uit.
- ▶ Zie hoofdstuk “Eerste ingebruikname”.

#### 11.4 Instellingen

U kunt de maximale waarden voor temperatuur en debiet wijzigen.



##### GEVAAR Elektrische schok

Instellen van andere waarden voor debiet en temperatuur is alleen toegestaan als het toestel is losgekoppeld van het lichtnet.

- ▶ Koppel het toestel op alle polen los van het stroomnet.

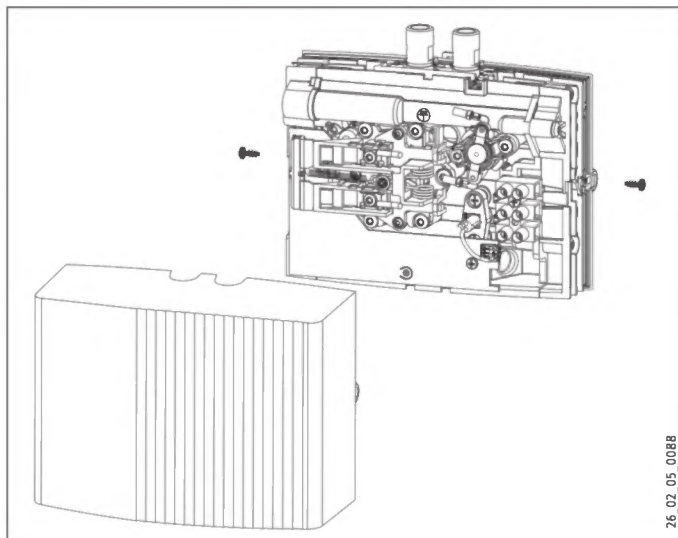


##### GEVAAR Elektrische schok

De stelschroef voor het debiet en de potentiometer voor temperatuurinstelling zijn spanninggeleidend als het toestel niet is losgekoppeld van het lichtnet.

# INSTALLATIE

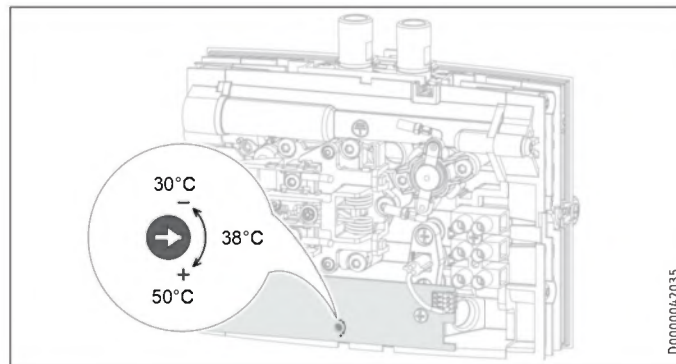
## Ingebruikname



- ▶ Neem de bovenkap af.

### Maximale temperatuur instellen

Fabrieksinstelling: 38 °C



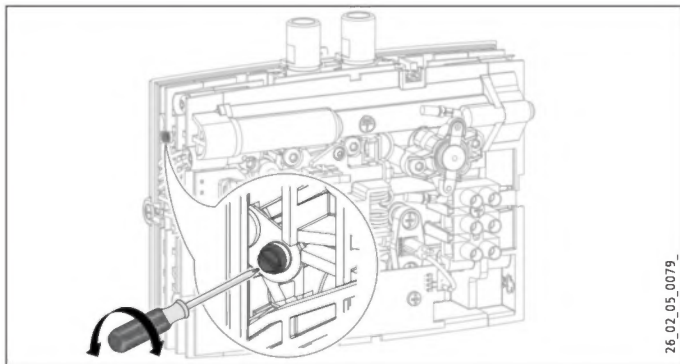
- ▶ Zet de potentiometer met behulp van een schroevendraaier op de gewenste maximumtemperatuur.
- ▶ Monteer de bovenkap.

# INSTALLATIE

## Buitendienststelling

### Debiet begrenzen

Fabrieksinstelling: Maximaal debiet



- ▶ Stel met behulp van de stelschroef het gewenste debiet in:
  - Kleinste debiet = draai de schroef aan tot aan de aanslag.
  - Grootste debiet = draai de schroef uit tot aan de aanslag.
- ▶ Monteer de bovenkap.

## 12. Buitendienststelling

- ▶ Koppel het toestel met de zekering los van de huisinstallatie of trek de stekker van de elektrische aansluitkabel uit het stopcontact.
- ▶ Tap het toestel af (zie het hoofdstuk "Onderhoud").

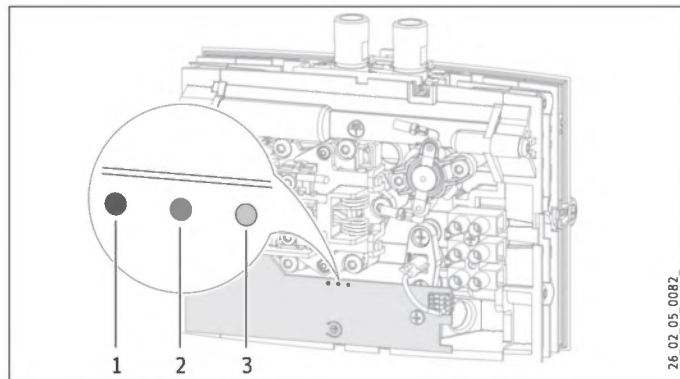
## 13. Storingen verhelpen

Probleem	Oorzaak	Oplissing
Toestel schakelt niet maar de kraan staat open.	De straalregelaar in de kraan is vuil of verkalkt.	Reinig en/of ontkalk de straalregelaar of vervang de speciale straalregelaar.
	Het debiet is te laag ingesteld.	Vergroot het debiet.
	De zeef in de koudwaterleiding is verstopt.	Reinig de zeef nadat u de koudwateraanvoerleiding hebt afgesloten.
	Het verwarmingssysteem is defect.	Meet de weerstand van het verwarmingssysteem en vervang zo nodig het toestel.
	De veiligheidstemperatuurbegrenzer is geactiveerd.	Los de oorzaak van de storing op. Maak het toestel spanningsvrij en ontlast de waterleiding. Activeer de veiligheidsdrukbegrenzer.
De gewenste temperatuur wordt niet bereikt.	Het toestel heeft de grens van zijn vermogen bereikt.	Reduceer het debiet.

# INSTALLATIE

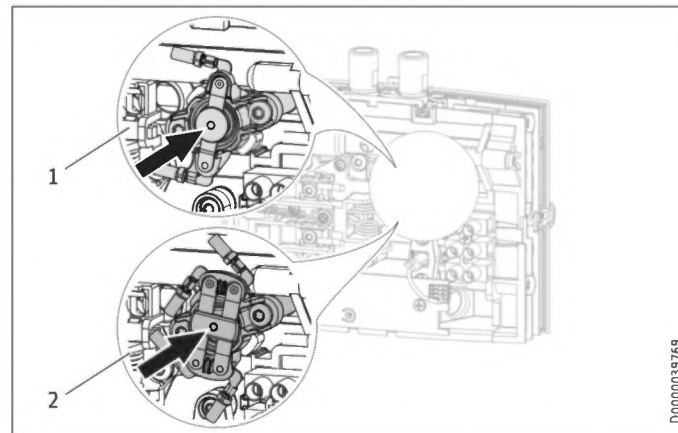
## Storingen verhelpen

### Weergave lichtdiode



- 1 Rood bij storing
- 2 Geel bij verwarmingsfunctie
- 3 Groen knipperend bij voeding van de elektronica

### De veiligheidsdrukbegrenzer activeren



- 1 1-polige veiligheidsdrukbegrenzer EIL 4 Premium / EIL 6 Premium
- 2 2-polige veiligheidsdrukbegrenzer EIL 3 Premium / EIL 7 Premium

### 14. Onderhoud



**GEVAAR Elektrische schok**  
Scheid alle polen van het toestel van het elektriciteitsnet voor aanvang van alle werkzaamheden.

#### 14.1 Het toestel aftappen



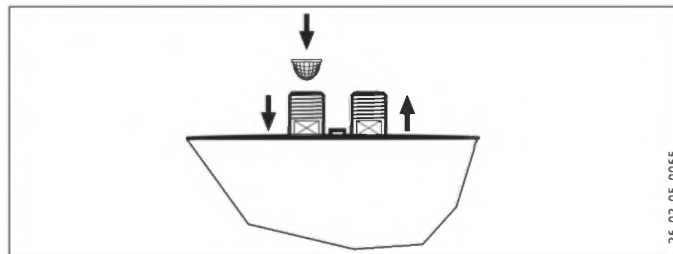
**GEVAAR voor verschroeiing**  
Tijdens het aftappen kan er heet water uit het toestel lopen.

Ga als volgt te werk als het toestel voor onderhoudswerkzaamheden of als bescherming tegen vorst van de volledige installatie afgetapt moet worden:

- ▶ Sluit de afsluitklep in de koudwatertoevoerleiding.
- ▶ Open het aftapventiel.
- ▶ Maak de wateraansluitingen van het toestel los.

#### 14.2 Zeef reinigen

U kunt de ingebouwde zeef reinigen nadat de koudwateraansluiting is losgekoppeld.



#### 14.3 Controles volgens VDE 0701/0702

##### Controle van de aardleiding

- ▶ Controleer de aardleiding (in Duitsland bijv. DGUV A3) op het aardleidingscontact van de elektrische aansluitkabel en bij de aansluitstomp van het toestel.

##### Isolatie weerstand

Vanwege de elektronische aansturing van dit toestel kan een meting van de isolatie weerstand volgens VDE 0701/0702 niet worden uitgevoerd.

- ▶ Om de doeltreffendheid van de isolatie-eigenschappen van dit toestel te controleren, adviseren we een verschil-stroommeting van de aardleidingstroom / lekstroom volgens VDE 0701/0702 (afbeelding C.3b) uit te voeren.

### 14.4 Opslag van het toestel

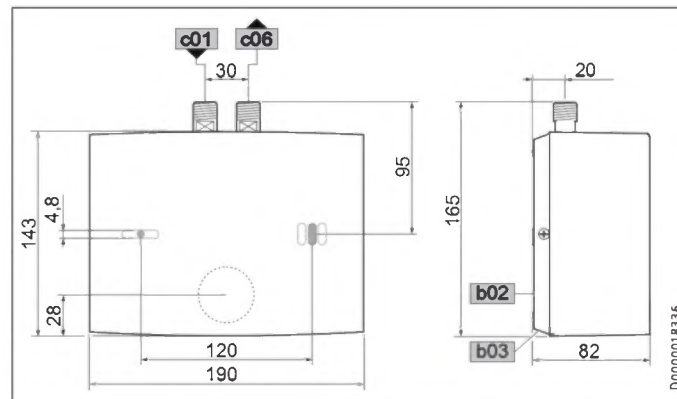
- ▶ Een gedemonteerd toestel moet vorstvrij bewaard worden, want er kan restwater in het toestel zitten dat kan bevriezen en daardoor schade kan veroorzaken.

### 14.5 De elektrische aansluitkabel bij de EIL 6 Premium vervangen

- ▶ Bij de EIL 6 Premium moet bij vervanging een elektrische aansluitkabel met een diameter van 4 mm<sup>2</sup> worden gebruikt.

## 15. Technische gegevens

### 15.1 Afmetingen en aansluitingen



b02	Doorvoer elektr.kabels I		
b03	Doorvoer elektr.kabels II		
c01	Koudwatertoevoer	Buitendraad	G 3/8 A
c06	Warmwateruitloop	Buitendraad	G 3/8 A

D0000018336

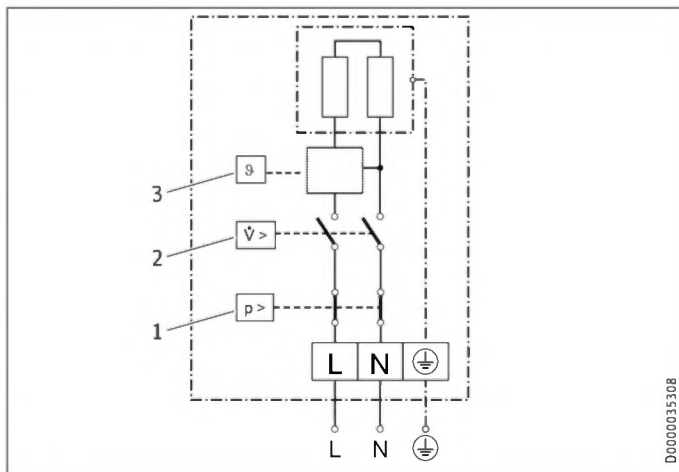
NERLANDS

# INSTALLATIE

## Technische gegevens

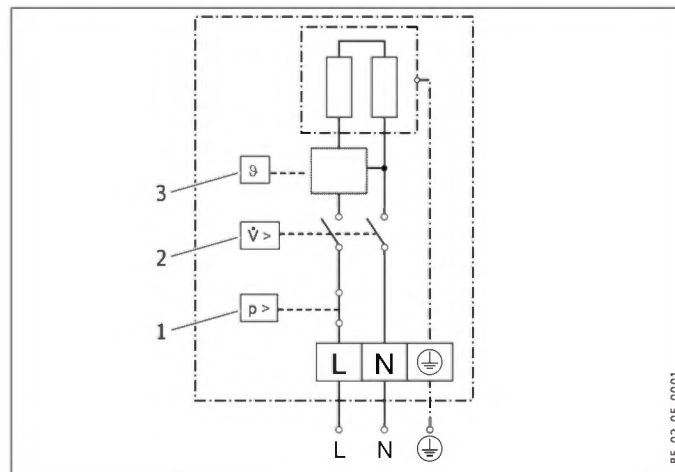
### 15.2 Schakelschema

#### 15.2.1 EIL 3 Premium 1/N/PE ~ 200-240 V



- 1 Veiligheidsdrukbegrenzer
- 2 Drukschakelaar
- 3 Elektronica met uitlooptemperatuursensor

#### 15.2.2 EIL 4 Premium en EIL 6 Premium 1/N/PE ~ 200-240 V



- 1 Veiligheidsdrukbegrenzer
- 2 Drukschakelaar
- 3 Elektronica met uitlooptemperatuursensor



#### Materiële schade

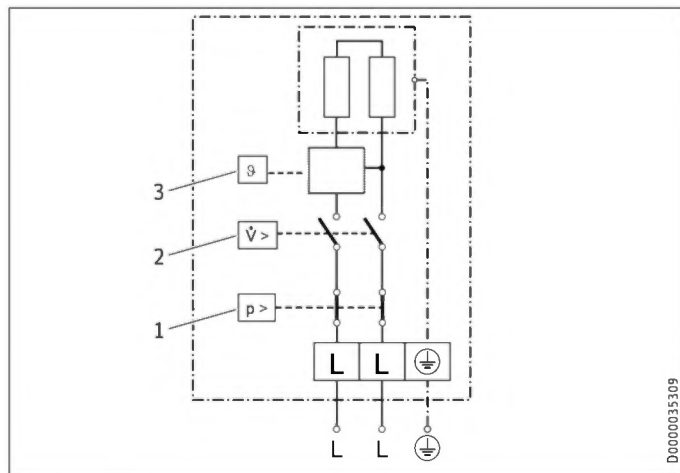
- Bij een vaste aansluiting sluit u de elektrische aansluitkabel aan conform de beschrijving bij de klemmen.



# INSTALLATIE

## Technische gegevens

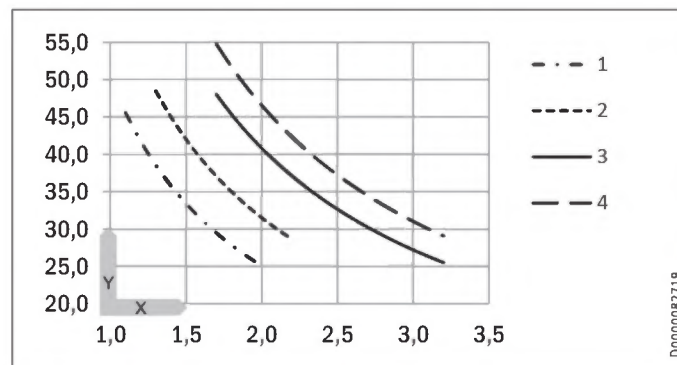
### 15.2.3 EIL 7 Premium 2/PE ~ 380-400 V



- 1 Veiligheidsdrukbegrenzer
- 2 Drukschakelaar
- 3 Elektronica met uitlooptemperatuursensor

### 15.3 Temperatuurverhoging

De volgende temperatuurverhogingen zijn beschikbaar bij een spanning van 230 V / 400 V:



X Debiet in l/min  
Y Temperatuurverhoging in K

- 1 3,5 kW - 230 V
- 2 4,4 kW - 230 V
- 3 5,7 kW - 230 V
- 4 6,5 kW - 400 V

Voorbeeld EIL 3 Premium met 3,5 kW

Debiet	l/min	2,0
Temperatuurverhoging	K	25
Koudwater-toevoertemperatuur	°C	12
Maximaal mogelijke uitlooptemperatuur	°C	37

### 15.4 Toepassingsmogelijkheden

Zie de “Gegevenstabel” voor de specifieke elektrische weerstand en specifieke elektrische geleidbaarheid.

Genormeerde waarde bij 15 °C			20 °C			25 °C		
Spec. weerstand $\rho \geq$	Spec. geleidbaarheid $\sigma \leq$	$\mu\text{S/cm}$	Spec. weerstand $\rho \geq$	Spec. geleidbaarheid $\sigma \leq$	$\mu\text{S/cm}$	Spec. weerstand $\rho \geq$	Spec. geleidbaarheid $\sigma \leq$	$\mu\text{S/cm}$
$\Omega\text{cm}$	$\text{mS/m}$		$\Omega\text{cm}$	$\text{mS/m}$		$\Omega\text{cm}$	$\text{mS/m}$	
1000	100	1000	890	112	1124	815	123	1227
1300	77	769	1175	85	851	1072	93	933

### 15.5 Gegevens over het energieverbruik

Productgegevensblad: Conventionele warmwaterbereider volgens verordening (EU) nr. 812/2013 | 814/2013

		EIL 3 Premium	EIL 4 Premium	EIL 6 Premium	EIL 7 Premium
		200134	200135	200136	200137
Fabrikant		STIEBEL ELTRON	STIEBEL ELTRON	STIEBEL ELTRON	STIEBEL ELTRON
Tapprofiel		XXS	XXS	XXS	XS
Energieklasse		A	A	A	A
Energetisch rendement	%	39	38	39	40
Jaarlijks stroomverbruik	kWh	478	478	478	467
Temperatuurstelling af fabriek	°C	38	38	38	38
Geluidsniveau	dB(A)	15	15	15	15
Bijzondere aanwijzingen voor efficiëntiemeting		Geen	Geen	Geen	Geen
Dagelijks stroomverbruik	kWh	2,200	2,200	2,200	2,130

# INSTALLATIE

## Technische gegevens

### 15.6 Gegevenstabel

		EIL 3 Premium				EIL 4 Premium				EIL 6 Premium				EIL 7 Premium	
		200134				200135				200136				200137	
<b>Elektrische gegevens</b>															
Nominale spanning	V	200	220	230	240	200	220	230	240	200	220	230	240	380	400
Nominaal vermogen	kW	2,7	3,2	3,53	3,8	3,3	4,0	4,4	4,8	4,3	5,2	5,7	6,2	5,9	6,5
Nominale stroom	A	13,3	14,5	15,2	15,8	16,7	18,2	19,1	20,0	21,6	23,6	24,7	25,8	15,5	16,3
Zekering	A	16				20				25	25	25	32	16	20
Frequentie	Hz	50/60				50/60				50/60				50/-	50/-
Fasen		1/N/PE				1/N/PE				1/N/PE				2/PE	
Specifieke weerstand $\rho_{15} \geq$ (bij $\vartheta_{koud} \leq 25$ °C)	$\Omega$ cm	1000				1000				1000				1000	
Specifieke weerstand $\sigma_{15} \leq$ (bij $\vartheta_{koud} \leq 25$ °C)	$\mu S/cm$	1000				1000				1000				1000	
Specifieke weerstand $\rho_{15} \geq$ (bij $\vartheta_{koud} > 25$ °C)	$\Omega$ cm	1300				1300				1300				1300	
Specifieke geleidbaarheid $\sigma_{15} \leq$ (bij $\vartheta_{koud} > 25$ °C)	$\mu S/cm$	770				770				770				770	
Max. netimpedantie bij 50Hz	$\Omega$	0,083	0,079	0,076		0,065	0,063	0,06		0,049	0,047	0,045	0,236	0,225	
<b>Aansluitingen</b>															
Wateraansluiting		G 3/8 A				G 3/8 A				G 3/8 A				G 3/8 A	
<b>Werkingsgebied</b>															
Max. toegelaten druk	MPa	1				1				1				1	
Max. toevoertemperatuur voor naverwarming	°C	50				50				50				50	
<b>Waarden</b>															
Max. toegelaten toevoertemperatuur	°C	55				55				55				55	
Instelbereik warmwatertemperatuur	°C	30-50				30-50				30-50				30-50	
Aan	l/min	>1,5				>1,5				>2,2				>2,2	
Drukverlies bij debiet	MPa	0,05				0,06				0,07				0,07	

# INSTALLATIE

## Technische gegevens

		EIL 3 Premium	EIL 4 Premium	EIL 6 Premium	EIL 7 Premium
Debiet voor drukverlies	l/min	1,5	1,8	2,2	2,2
Debietbegrenzing bij	l/min	2,0	2,2	3,2	3,2
Warmwateraanbieding	l/min	2,0	2,2	3,2	3,7
$\Delta\theta$ bij aanbieding	K	25	25	25	25
<b>Hydraulische gegevens</b>					
Nominale inhoud	l	0,1	0,1	0,1	0,1
<b>Uitvoeringen</b>					
Montage boven het aftappunt		X	X	X	X
Montage onder het aftappunt		X	X	X	X
Uitvoering open		X	X	X	X
Uitvoering gesloten		X	X	X	X
Beveiligingsklasse		1	1	1	1
Isolatieblok		Kunststof	Kunststof	Kunststof	Kunststof
Verwarmingssysteem warmteopwekker		Blankdraad	Blankdraad	Blankdraad	Blankdraad
Kap en achterwand		Kunststof	Kunststof	Kunststof	Kunststof
Kleur		wit	wit	wit	wit
Beschermingsgraad (IP)		IP 25	IP 25	IP 25	IP 25
<b>Afmetingen</b>					
Hoogte	mm	143	143	143	143
Breedte	mm	190	190	190	190
Diepte	mm	82	82	82	82
Lengte aansluitkabel	mm	700	700	700	700
<b>Gewichten</b>					
Gewicht	Kg	1,5	1,5	1,5	1,5



### Info

Het toestel voldoet aan IEC 61000-3-12.

## Garantie

Voor toestellen die buiten Duitsland zijn gekocht, gelden de garantievoorwaarden van onze Duitse ondernemingen niet. Bovendien kan in landen waar één van onze dochtermaatschappijen verantwoordelijk is voor de verkoop van onze producten, alleen garantie worden verleend door deze dochtermaatschappij. Een dergelijk garantie wordt alleen verstrekt, wanneer de dochtermaatschappij eigen garantievoorwaarden heeft gepubliceerd. In andere situaties wordt er geen garantie verleend.

Voor toestellen die in landen worden gekocht waar wij geen dochtermaatschappijen hebben die onze producten verkopen, verlenen wij geen garantie. Een eventueel door de importeur verzekerde garantie blijft onverminderd van kracht.

## Milieu en recycling

Wij verzoeken u ons te helpen ons milieu te beschermen. Doe de materialen na het gebruik weg overeenkomstig de nationale voorschriften.

## ZVLÁŠTNÍ POKYNY

### OBSLUHA

<b>1. Obecné pokyny</b>	<b>80</b>
1.1 Bezpečnostní pokyny	80
1.2 Jiné symboly použité v této dokumentaci	81
1.3 Měrné jednotky	81
<b>2. Zabezpečení</b>	<b>82</b>
2.1 Správné používání	82
2.2 Všeobecné bezpečnostní pokyny	82
2.3 Kontrolní symbol	82
<b>3. Popis přístroje</b>	<b>83</b>
<b>4. Nastavení</b>	<b>83</b>
<b>5. Čištění, péče a údržba</b>	<b>84</b>
<b>6. Odstranění problémů</b>	<b>84</b>

### INSTALACE

<b>7. Zabezpečení</b>	<b>85</b>
7.1 Všeobecné bezpečnostní pokyny	85
7.2 Předpisy, normy a ustanovení	85
<b>8. Popis přístroje</b>	<b>85</b>
8.1 Rozsah dodávky	85
8.2 Příslušenství	86
<b>9. Příprava</b>	<b>86</b>
<b>10. Montáž</b>	<b>86</b>
10.1 Místo montáže	86
10.2 Alternativy montáže	87

10.3 Připojení přívodu elektrické energie	90
<b>11. Uvedení do provozu</b>	<b>91</b>
11.1 První uvedení do provozu	91
11.2 Předání přístroje	91
11.3 Opětovné uvedení do provozu	91
11.4 Nastavení	91
<b>12. Uvedení mimo provoz</b>	<b>93</b>
<b>13. Odstraňování poruch</b>	<b>93</b>
<b>14. Údržba</b>	<b>95</b>
14.1 Vypuštění přístroje	95
14.2 Vyčištění sítka	95
14.3 Kontroly podle VDE 0701/0702	96
14.4 Uložení přístroje	96
14.5 Výměna přívodního vedení u EIL 6 Premium	96
<b>15. Technické údaje</b>	<b>96</b>
15.1 Rozměry a přípojky	96
15.2 Schéma elektrického zapojení	97
15.3 Zvýšení teploty	98
15.4 Oblasti použití	99
15.5 Údaje ke spotřebě energie	99
15.6 Tabulka údajů	100

### ZÁRUKA

### ŽIVOTNÍ PROSTŘEDÍ A RECYKLACE

# ZVLÁŠTNÍ POKYNY

- Příklad: Přístroj smí používat děti od 3 let a osoby se sníženými fyzickými, sensorickými nebo mentálními schopnostmi nebo s nedostatkem zkušeností a znalostí pouze pod dozorem nebo po poučení o bezpečném používání přístroje, a poté, co porozuměly nebezpečí, které z jeho používání plyne. Nenechávejte děti, aby si s přístrojem hrály. Čištění a uživatelskou údržbu nesmějí provádět děti bez dozoru.
- Armatura může dosáhnout teploty až 55 °C. Pokud je teplota na výtoku vyšší než 43 °C, hrozí nebezpečí opaření.
- Příklad: Přístroj musí být možné odpojit od síťové přípojky na všech pólech na vzdálenost nejméně 3 mm.
- Uvedené napětí se musí shodovat se síťovým napětím.
- Příklad: Přístroj musí být trvale připojen k pevné kabeláži, výjimka EIL 3 Premium.
- Příklad: Přívodní kabel smí při poškození nebo při výměně nahradit originálním náhradním dílem pouze autorizovaný servis s oprávněním výrobce.
- Upevněte přístroj způsobem popsáním v kapitole „Instalace / Montáž“.
- Dodržujte maximální přípustný tlak (viz kapitola „Instalace / Technické údaje / Tabulka s technickými údaji“).
- Nesmí být nedosažena hodnota měrného odporu vody z vodovodní sítě (viz kapitola „Instalace / Technické údaje / Tabulka s technickými údaji“).

- Vypusťte přístroj způsobem podle popisu v kapitole „Instalace / Údržba / Vypuštění přístroje“.

## OBSLUHA

### 1. Obecné pokyny

Kapitola „Obsluha“ je určena uživatelům přístroje a instalačním technikům.

Kapitola „Instalace“ je určena instalačním technikům.



#### Upozornění

Dříve, než zahájíte provoz, si pozorně přečtěte tento návod a pečlivě jej uschovejte.

Případně předejte návod dalšímu uživateli.

---

### 1.1 Bezpečnostní pokyny

#### 1.1.1 Struktura bezpečnostních pokynů






#### UVOZUJÍCÍ SLOVO - Druh nebezpečí

Zde jsou uvedeny možné následky nedodržení bezpečnostních pokynů.

► Zde jsou uvedena opatření k odvrácení nebezpečí.



## 1.1.2 Symboly, druh nebezpečí

Symbol	Druh nebezpečí
	Úraz
	Úraz elektrickým proudem
	Popálení (popálení, opaření)

## 1.1.3 Uvozující slova

UVOZUJÍCÍ SLOVO	Význam
NEBEZPEČÍ	Pokyny, jejichž nedodržení má za následek vážné nebo smrtelné úrazy.
VÝSTRAHA	Pokyny, jejichž nedodržení může mít za následek vážné nebo smrtelné úrazy.
POZOR	Pokyny, jejichž nedodržení může mít za následek středně vážné nebo lehké úrazy.

## 1.2 Jiné symboly použité v této dokumentaci

**Upozornění**

Pokyny jsou odděleny vodorovnými čarami nad a pod textem. Obecné pokyny jsou označeny symbolem zobrazeným vedle.

► Texty upozornění čtěte pečlivě.

## Symbol



Věcné škody  
(poškození přístroje, následné škody, poškození životního prostředí)



Likvidace přístroje

► Tento symbol vás vyzývá k určitému jednání. Potřebné úkony jsou popsány po jednotlivých krocích.

## 1.3 Měrné jednotky

**Upozornění**

Pokud není stanoveno jinak, jsou rozměry uvedeny v milimetrech.

## 2. Zabezpečení

### 2.1 Správné používání

Přístroj je určen k použití v domácnostech. Mohou jej tedy bezpečně obsluhovat neškolené osoby. Lze jej používat i mimo domácnosti, např. v drobném průmyslu, pokud je provozován stejným způsobem jako v domácnostech.

Přístroj slouží k ohřevu pitné vody nebo k dodatečnému ohřevu přehřáté vody. Přístroj je určen pro umyvadlo k mytí rukou.

Jiné použití nebo použití nad rámec daného rozsahu je považováno za použití v rozporu s určením. K použití v souladu s určením patří také dodržování tohoto návodu a návodů k používanému příslušenství.

### 2.2 Všeobecné bezpečnostní pokyny



#### NEBEZPEČÍ - opaření

Armatura může dosáhnout teploty až 55 °C. Pokud je teplota na výstupu vyšší než 43 °C, hrozí nebezpečí opaření.



#### VÝSTRAHA úraz

Přístroj smí používat děti od 3 let a osoby se sníženými fyzickými, senzorickými nebo mentálními schopnostmi nebo s nedostatečnými zkušenostmi a znalostmi pouze pod dozorem, nebo poté, co byly poučeny o bezpečném používání přístroje a jsou si vědomy nebezpečí, která z jeho používání plynou. Nenechávejte děti, aby si s přístrojem hrály. Čištění a uživatelskou údržbu nesmějí provádět děti bez dozoru.



#### NEBEZPEČÍ - úraz elektrickým proudem

Poškozené elektrické přívodní vedení smí vyměnit pouze autorizovaný servis. Tím je vyloučeno možné ohrožení.



#### Věcné škody

Chraňte přístroj a armaturu před mrazem.



#### Věcné škody

Používejte jen dodaný speciální regulátor průtoku. Zamezte výskytu vodního kamene na výtocích z armatur (viz kapitola „Čištění, ošetřování a údržba“).

### 2.3 Kontrolní symbol

Viz typový štítek na přístroji.

### 3. Popis přístroje

Elektronicky regulovaný malý průtokový ohříváč vody udržuje stálou teplotu na výtoku nezávisle na teplotě přítoku až na hranici výkonu.

Přístroj je od výrobce nastaven na teplotu potřebnou k mytí rukou. Jakmile je dosaženo této teploty, elektronika automaticky omezí výkon. Výkon se přizpůsobí požadované teplotě a zamezí se tak překročení teploty.

Přístroj ohřívá vodu přímo na odběrném místě při otevření armatury. Vzhledem ke krátkým rozvodům vznikají malé ztráty energie a vody.

Výkon ohřevu vody závisí na teplotě studené vody, topném výkonu a průtoku.

Topný systém s holou spirálou je určen pro vodu s nízkým nebo běžným obsahem vodního kamene. Systém ohřevu je do značné míry odolný vůči usazování vápníku. Topný systém zajišťuje rychlou a efektivní přípravu teplé vody k umyvadlu.

Autorizovaný servis může nastavit maximální hodnoty teploty a objemového průtoku (viz kapitola „Uvedení do provozu/Nastavení“).

Vestavěním dodaného speciálního regulátoru průtoku dosáhnete optimálního průtoku vody.

### 4. Nastavení

Jakmile otevřete teplovodní ventil na armatuře nebo aktivujete senzor senzorové armatury, topný systém přístroje se automaticky zapne. Voda se ohřívá. Teplotu vody lze upravovat armaturou.

Aktivační množství a omezení objemového proudu viz kapitola „Technické údaje“.

#### Zvýšení teploty

- ▶ Průtok omezte na armatuře.

#### Snížení teploty

- ▶ Otevřete více armaturu nebo přimíchejte více studené vody.

#### Po přerušení přívodu vody

Viz kapitola „Uvedení do provozu/Opětovné uvedení do provozu“.

## 5. Čištění, péče a údržba

- ▶ Nepoužívejte abrazivní čisticí prostředky nebo prostředky obsahující rozpouštědla. K ošetřování a údržbě přístroje stačí vlhká textilie.
- ▶ Kontrolujte pravidelně armatury. Vodní kámen na výtocích z armatur odstraňte běžnými prostředky k odstranění vodního kamene.
- ▶ Nechejte odborníka pravidelně provést kontrolu elektrické bezpečnosti přístroje.
- ▶ Zbavte speciální regulátor průtoku v armatuře vodního kamene nebo jej pravidelně vyměňujte (viz kapitola „Popis přístroje / příslušenství“).

## 6. Odstranění problémů

Problém	Příčina	Odstranění
I když je ventil teplé vody zcela otevřen, přístroj se nezapne.	Výpadek napájení přístroje.	Zkontrolujte pojistky vnitřní instalace.
	Regulátor průtoku v armatuře je zanesen vodním kamenem nebo je znečištěn.	Očistěte speciální regulátor průtoku a/nebo zbavte jej vodního kamene či vyměňte.
	Je přerušen přívod vody.	Odvzdušněte přístroj a přívod studené vody (viz kapitola „Nastavení“).
Není dosaženo požadované teploty.	Maximální teplota je v přístroji nastavena příliš nízko.	Nechejte kvalifikovaného instalátéra provést nové nastavení maximální teploty.
	Přístroj dosahuje hranici výkonu.	Změňte průtok.

Pokud nelze příčinu odstranit, kontaktujte odborníka. K získání lepší a rychlejší pomoci sdělte číslo z typového štítku (000000-0000-00000).

●
●

Model:  Mod. č.:

Výr. č.:

# INSTALACE

## 7. Zabezpečení

Instalaci, uvedení do provozu, údržbu a opravy přístroje smí provádět pouze autorizovaný servis.

### 7.1 Všeobecné bezpečnostní pokyny

Řádnou funkci a spolehlivý provoz lze zaručit pouze v případě použití původního příslušenství a originálních náhradních dílů určených pro tento přístroj.



#### Věcné škody

Dodržujte maximální teplotu přítoku. Při vyšších teplotách může dojít k poškození přístroje. Vstupní teplotu lze snížit pomocí centrální termostatické armatury.



#### VÝSTRAHA elektrický proud

Tento přístroj obsahuje kondenzátory, které se po odpojení od elektrické sítě vybíjí. Vybíjecí napětí kondenzátoru může krátkodobě činit > 34 V DC.

## 7.2 Předpisy, normy a ustanovení



#### Upozornění

Dodržujte všechny národní a místní předpisy a ustanovení.

Měrný elektrický odpor vody nesmí být menší než hodnota uvedená na typovém štítku. V případě propojení několika vodovodních sítí musíte vzít v úvahu nejnižší elektrický odpor vody (viz kapitolu „Technické údaje/Tabulka s technickými údaji“). Hodnoty měrného elektrického odporu vody nebo elektrické vodivosti vody zjistíte u vašeho dodavatele vody.

## 8. Popis přístroje

### 8.1 Rozsah dodávky

Spolu s přístrojem je dodáváno:

- Sítko v přívodu studené vody
- Speciální regulátor průtoku
- Připojovací hadice 3/8, délka 500 mm, s těsněními\*
- Tvarovku T 3/8\*
- Firemní logo pro montáž nad umyvadlo

\* pro připojení jako tlakový přístroj

### 8.2 Příslušenství

#### Speciální regulátor průtoku



#### Upozornění

Vestavěním dodaného speciálního regulátoru průtoku do armatury dosáhnete optimálního průtoku vody.

#### Armatury

► Používejte vhodné armatury.

#### Beztlaké armatury

- MAW (OT) Nástěnná armatura pro montáž nad umyvadlo
- MAZ (UT) Dvoukohoutková armatura pro umyvadlo
- MAE (UTE) Páková armatura pro umyvadlo

#### Armatury odolné proti tlaku

Vhodné armatury odolné proti tlaku jsou k dostání u specializovaného prodejce.

### 9. Příprava

► Důkladně vypláchněte vodovodní vedení.

#### Vodovodní instalace

Pojistný ventil není nutný.

### 10. Montáž

#### 10.1 Místo montáže

Přístroj namontujte v prostorách, ve kterých nedochází k poklesu teploty pod bod mrazu, v blízkosti odběrné armatury.

Pamatujte na přístupnost bočních upevňovacích šroubů krytů.

Přístroj je vhodný pro montáž pod umyvadlem (vodovodní přípojky nahoře) a pro montáž nad umyvadlem (vodovodní přípojky dole).



#### NEBEZPEČÍ - úraz elektrickým proudem

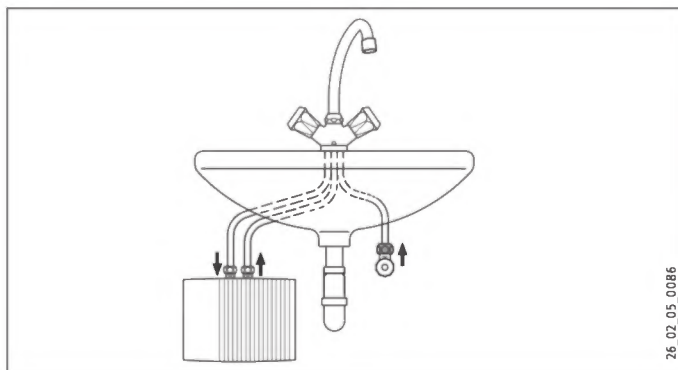
Seřizovací šroub k nastavení objemového proudu je vodivý a krytí IP25 je zajištěno pouze při namontované zadní stěně přístroje.

► Vždy namontujte zadní stěnu přístroje.

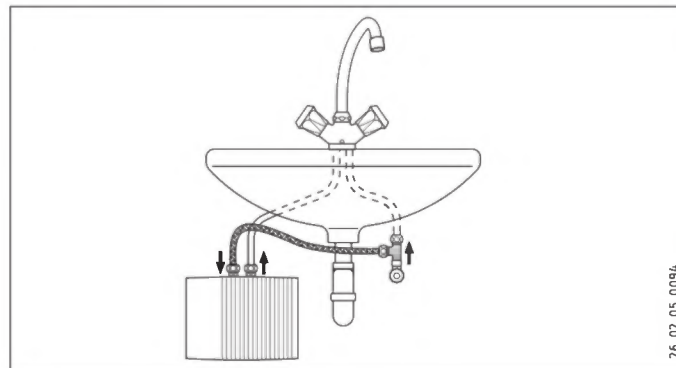
### 10.2 Alternativy montáže

#### 10.2.1 Montáž pod umyvadlo

##### Beztlaký, s beztlakovou armaturou



##### Tlakový, s tlakovou armaturou



# INSTALACE

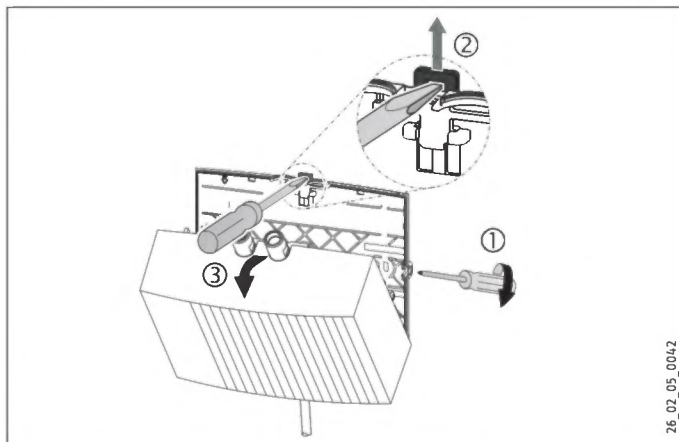
## Montáž

### Montáž přístroje



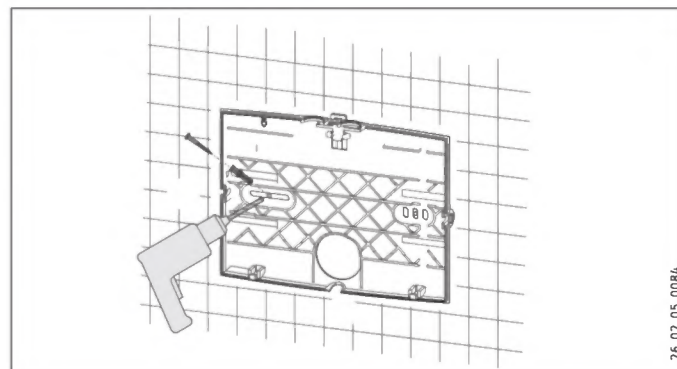
#### Upozornění

- ▶ Namontujte přístroj na stěnu.  
Stěna musí mít dostatečnou nosnost.



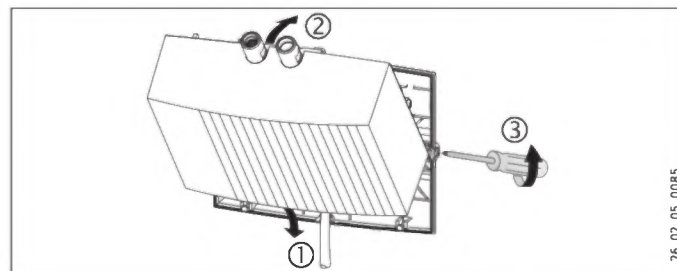
26\_02\_05\_0042

- ▶ Uvolněte upevňovací šrouby víka o dvě otáčky.
- ▶ Odblokujte západku šroubovákem.
- ▶ Sejměte víko přístroje s topným systémem směrem dopředu.
- ▶ Vylomte kleštěmi průchozí otvor ve víku přístroje pro elektrické přívodní vedení. V případě potřeby upravte okraj pilníkem.



26\_02\_05\_0084

- ▶ Jako vrtací šablonu použijte zadní stěnu přístroje.
- ▶ Připevněte zadní stěnu přístroje vhodnými hmoždinkami a šrouby ke stěně.



26\_02\_05\_0085

- ▶ Protáhněte elektrické přívodní vedení průchodkou v zadní stěně.



## INSTALACE

### Montáž

- ▶ Zavěste víko přístroje s topným systémem dole.
- ▶ Zatlačte topný systém do západky.
- ▶ Upevněte víko přístroje šrouby k uchycení víka.

#### Montáž armatury

- ▶ Namontujte armaturu. Dodržujte přitom návod k obsluze a instalaci armatury.



#### Věcné škody

- ▶ Při montáži všech přípojek je nutné na přístroji použít k přidržování klíč SW 14.

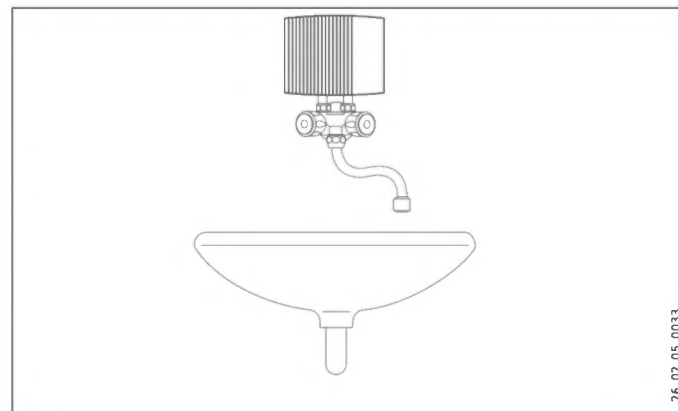
#### Tlaková armatura



#### Upozornění

- ▶ Namontujte dodanou přípojovací hadici 3/8 a tvarovku T 3/8.

#### 10.2.2 Montáž pod umyvadlem, beztlaková, s beztlakovou armaturou



#### Montáž armatury

- ▶ Namontujte armaturu. Dodržujte přitom návod k obsluze a instalaci armatury.



#### Věcné škody

- ▶ Při montáži všech přípojek musíte na přístroji použít k přidržování klíč SW 14, viz kapitola „Alternativy montáže/Montáž pod umyvadlo“.

# INSTALACE

## Montáž

### Montáž přístroje

- ▶ Namontujte přístroj s vodovodními přípojkami k armatuře.

### 10.3 Připojení přívodu elektrické energie



**NEBEZPEČÍ - úraz elektrickým proudem**  
Veškerá elektrická zapojení a instalace provádějte podle předpisů.



**NEBEZPEČÍ - úraz elektrickým proudem**  
Pamatujte, že přístroj musí být připojen k ochrannému vodiči.  
Přístroj musí být možné odpojit od síťové přípojky na všech pólech na vzdálenost nejméně 3 mm.



**NEBEZPEČÍ - úraz elektrickým proudem**  
Přístroje jsou v dodaném stavu vybaveny elektrickým přívodním vedením (EIL 3 Premium se zástrčkou).  
Připojení k pevnému elektrickému rozvodu je možné, pokud má průřez minimálně odpovídající standardnímu napájecímu kabelu přístroje. Maximální možný průřez vedení je 3 x 6 mm<sup>2</sup>.  
▶ Při montáži přístroje nad umyvadlo musíte vést elektrické přívodní vedení za přístrojem.



#### Věcné škody

Při připojení do zásuvky s ochranným kontaktem (jde-li o přívodní vedení se zástrčkou) dbejte na to, aby zásuvka po instalaci přístroje byla volně přístupná.



#### Věcné škody

Dodržujte údaje uvedené na typovém štítku. Uvedené napětí se musí shodovat se sítovým napětím.

- ▶ Elektrické přívodní vedení zapojte podle schématu elektrického zapojení (viz kapitola „Technické údaje/Schéma elektrického zapojení“).

### 11. Uvedení do provozu

#### 11.1 První uvedení do provozu



- ▶ Naplňte přístroj opakovaným odběrem vody na armatuře, dokud nejsou rozvodná síť a přístroj zbaveny vzduchu.
- ▶ Proveďte kontrolu těsnosti.
- ▶ Zasuňte zástrčku přívodního vedení, pokud je k dispozici, do zásuvky s ochranným kontaktem, nebo aktivujte pojistku.
- ▶ Zkontrolujte funkci přístroje.
- ▶ Při montáži nad umyvadlem musíte firemní logo přelepit přiloženým firemním logem.

#### 11.2 Předání přístroje

- ▶ Vysvětlíte uživateli funkci přístroje a seznámte ho se způsobem jeho užívání.
- ▶ Upozorníte uživatele na možná rizika, především na nebezpečí opaření.
- ▶ Předajte tento návod.

#### 11.3 Opětné uvedení do provozu



##### Věcné škody

Po přerušení dodávky vody musíte přístroj opětovně uvést do provozu pomocí následujících kroků, aby nedošlo k poškození topného systému s holou spirálou.

- ▶ Odpojte přístroj od napětí. Za tímto účelem odpojte zástrčku elektrického přívodního vedení, je-li k dispozici, nebo vypněte pojistku.
- ▶ Viz kapitola „Prvotní uvedení do provozu“.

#### 11.4 Nastavení

Maximální hodnoty průtoku a teploty lze změnit.



##### NEBEZPEČÍ - úraz elektrickým proudem

Nastavení průtoku a teploty jsou přípustná pouze tehdy, jestliže je přístroj odpojen od sítě.

- ▶ Odpojte přístroj na všech pólech od sítě.

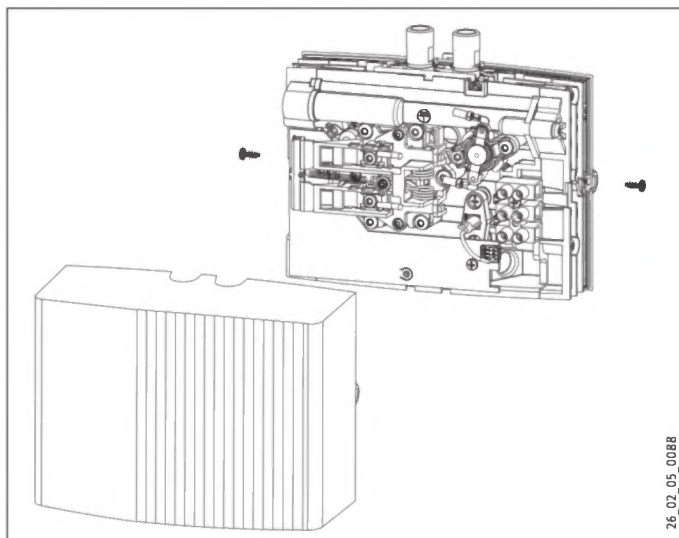


##### NEBEZPEČÍ - úraz elektrickým proudem

Seřizovací šroub ke změně nastavení průtoku a potenciometr k nastavení teploty jsou pod napětím, pokud není přístroj odpojen od sítě.

## INSTALACE

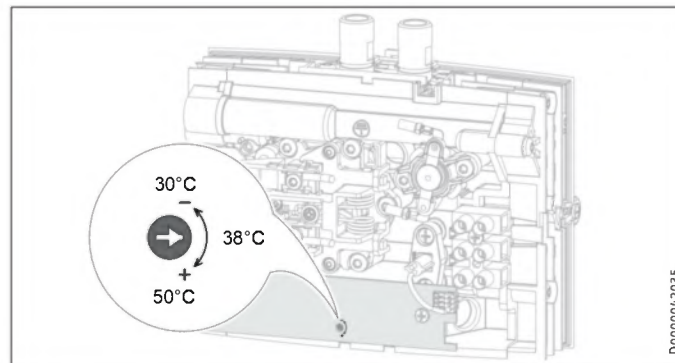
### Uvedení do provozu



- ▶ Sejměte kryt přístroje.

### Nastavte maximální teplotu.

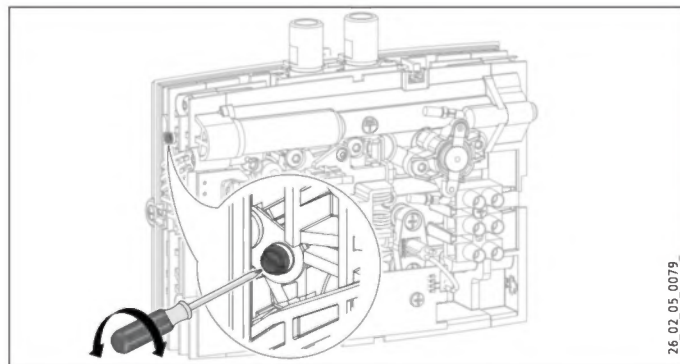
Tovární nastavení: 38 °C



- ▶ Nastavte potenciometr šroubovákem na požadovanou maximální teplotu.
- ▶ Namontujte kryt přístroje.

### Omezení průtoku

Tovární nastavení: Maximální průtok



- ▶ Seřizovacím šroubem nastavte požadovaný objemový průtok:
- Nejmenší objemový průtok = šroub je zašroubován až na doraz.
- Největší objemový průtok = šroub je vyšroubován až k dorazu.
- ▶ Namontujte kryt přístroje.

### 12. Uvedení mimo provoz

- ▶ Odpojte přístroj pojistkou v domovní instalaci od elektrického proudu nebo odpojte zástrčku přívodního kabelu.
- ▶ Vypustěte vodu z přístroje (viz kapitolu „Údržba“).

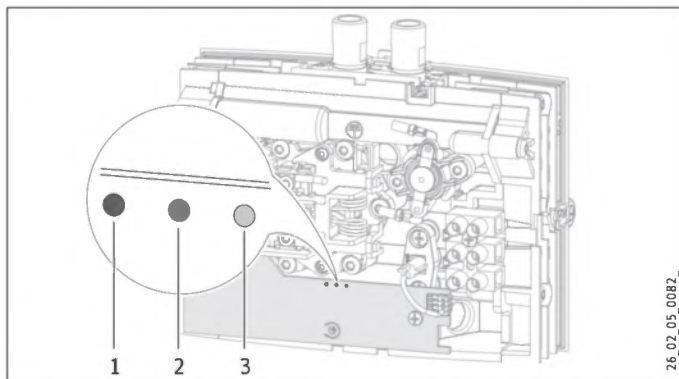
### 13. Odstraňování poruch

Problém	Příčina	Odstranění
I když je ventil teplé vody zcela otevřen, přístroj se nezapne.	Regulátor průtoku v armatuře je zanesen vodním kamenem nebo je znečištěn.	Očistěte speciální regulátor průtoku a/nebo zbavte jej vodního kamene či vyměňte.
	Průtok je nastaven na příliš nízkou hodnotu.	Zvětšete průtok.
	Sítka v přívodu studené vody je ucpané.	Uzavřete přívod studené vody a vyčistěte sítko.
	Topný systém je vadný.	Změňte odpor topného systému, případně přístroj vyměňte.
	Aktivoval se bezpečnostní omezovač tlaku.	Odstraňte příčinu závady. Vypněte přístroj a uvolněte tlak ve vodovodním potrubí. Aktivujte bezpečnostní omezovač tlaku.
Není dosaženo požadované teploty.	Přístroj dosahuje hranici výkonu.	Zmenšete průtok.

# INSTALACE

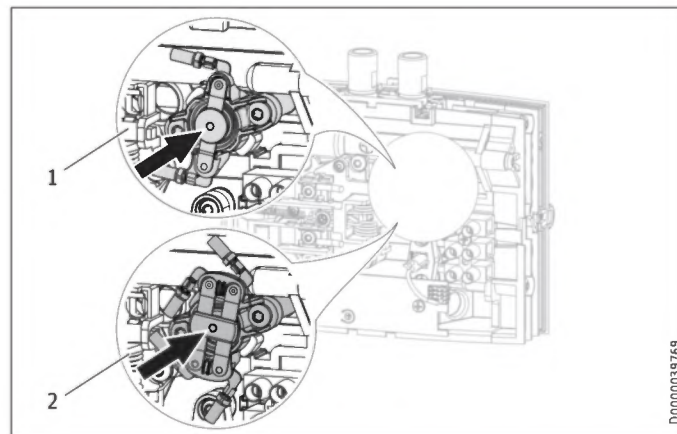
## Odstraňování poruch

### Indikace světelné diody



- 1 Červená indikace při poruše
- 2 Žlutá indikace v topném režimu
- 3 Zelená indikace při napájení elektroniky

### Aktivace bezpečnostního omezovače tlaku



- 1 Jednólový bezpečnostní omezovač tlaku EIL 4 Premium / EIL 6 Premium
- 2 Dvólový bezpečnostní omezovač tlaku EIL 3 Premium / EIL 7 Premium

### 14. Údržba



**NEBEZPEČÍ - úraz elektrickým proudem**  
Při všech činnostech odpojte přístroj na všech pólech od sítě.

#### 14.1 Vypouštění přístroje



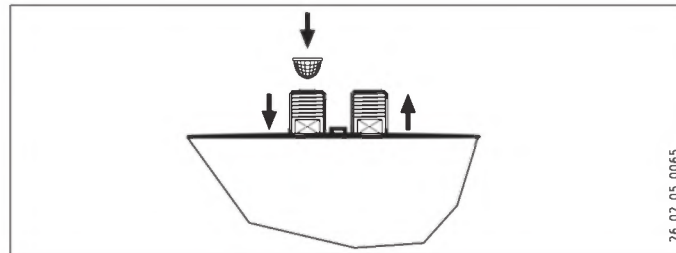
**NEBEZPEČÍ - opaření**  
Při vypouštění může vytékat horká voda.

Pokud je nutné přístroj z důvodu údržby nebo při nebezpečí zamrznutí z důvodu ochrany kompletní instalace vyprázdnit, postupujte takto:

- ▶ Uzavřete ventil na přívodu studené vody.
- ▶ Otevřete odběrný ventil.
- ▶ Odpojte od přístroje vodovodní přípojky.

#### 14.2 Vyčištění sítka

Vestavěné sítko lze vyčistit po demontáži přívodu studené vody.



### 14.3 Kontroly podle VDE 0701/0702

#### Kontrola ochranného vodiče

- ▶ Zkontrolujte ochranný vodič (v Německu např. DGUV A3) na kontaktu ochranného vodiče a na přípojovacích hrdlech přístroje.

#### Izolační odpor

Vzhledem k elektronickému ovládní tohoto přístroje nelze provést měření izolačního odporu podle VDE 0701/0702.

- ▶ Ke kontrole účinnosti izolačních vlastností tohoto přístroje doporučujeme provést měření rozdílového proudu ochranného vodiče / svodového proudu podle VDE 0701/0702 (obrázek C.3b).

### 14.4 Uložení přístroje

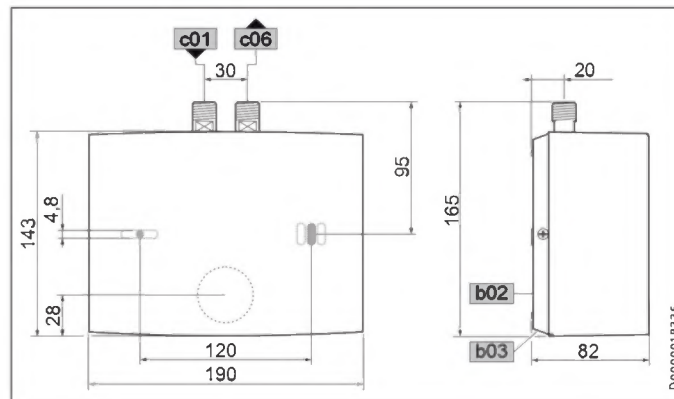
- ▶ Demontovaný přístroj skladujte tak, aby byl chráněn před mrazem. Případně zbytky vody v přístroji mohou zmrznout a způsobit škody.

### 14.5 Výměna přívodního vedení u EIL 6 Premium

- ▶ U EIL 6 Premium musíte v případě výměny použít elektrické přívodní vedení s průřezem 4 mm<sup>2</sup>.

## 15. Technické údaje

### 15.1 Rozměry a přípojky



b02	Průchodka el. rozvodu I		
b03	Průchodka el. vodičů II		
c01	Vstup studené vody	Vnější závit	G 3/8 A
c06	Výstup teplé vody	Vnější závit	G 3/8 A

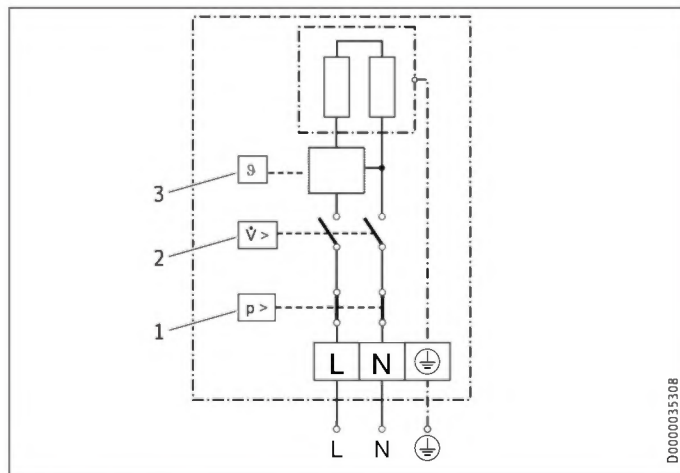


# INSTALACE

## Technické údaje

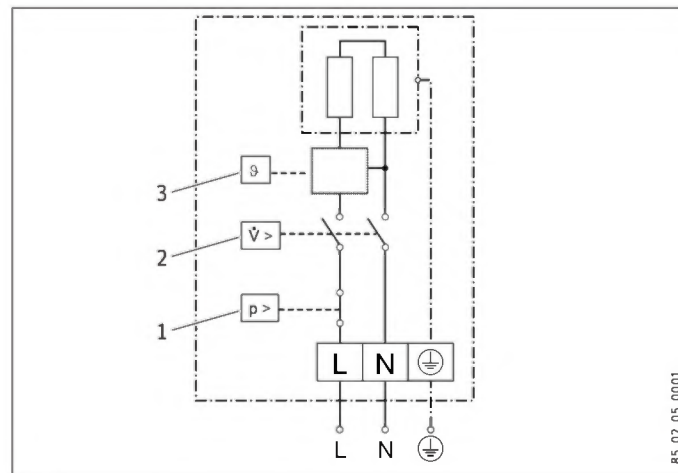
### 15.2 Schéma elektrického zapojení

#### 15.2.1 EIL 3 Premium 1/N/PE ~ 200–240 V



- 1 Bezpečnostní omezovač tlaku
- 2 Diferenciální tlakový spínač
- 3 Elektronika s čidlem výstupní teploty

#### 15.2.2 EIL 4 Premium a EIL 6 Premium 1/N/PE ~ 200–240 V



- 1 Bezpečnostní omezovač tlaku
- 2 Diferenciální tlakový spínač
- 3 Elektronika s čidlem výstupní teploty



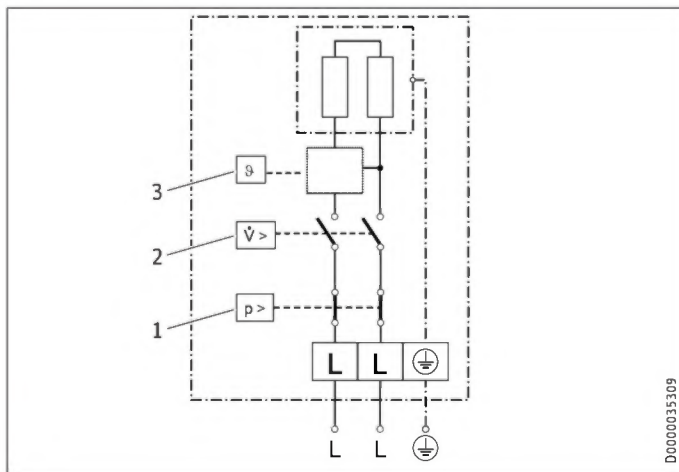
#### Věcné škody

- Při pevném připojení připojte elektrické přívodní vedení podle označení na svorce se zdírkami.

# INSTALACE

## Technické údaje

### 15.2.3 EIL 7 Premium 2/PE ~ 380-400 V

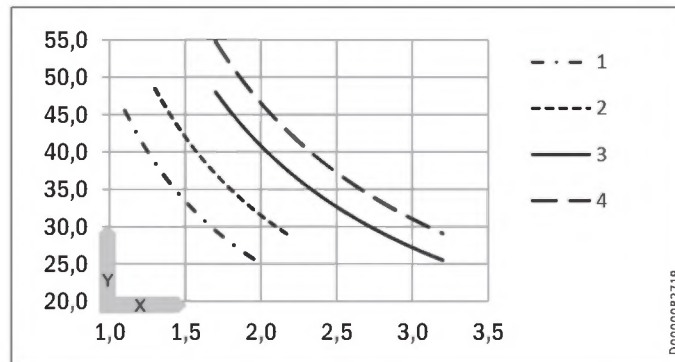


D0000035309

- 1 Bezpečnostní omezovač tlaku
- 2 Diferenciální tlakový spínač
- 3 Elektronika s čidlem výstupní teploty

### 15.3 Zvýšení teploty

Při napětí 230 V / 400 V dochází k následujícímu zvýšení teploty:



D0000082719

- X Průtok v l/min  
Y Zvýšení teploty v K
- 1 3,5 kW - 230 V
  - 2 4,4 kW - 230 V
  - 3 5,7 kW - 230 V
  - 4 6,5 kW - 400 V

#### Příklad EIL 3 Premium s výkonem 3,5 kW

Objemový proud	l/min	2,0
Zvýšení teploty	K	25
Teplota přiváděné studené vody	°C	12
Maximální možná teplota na výstupu	°C	37

# INSTALACE

## Technické údaje

### 15.4 Oblasti použití

**Měrný elektrický odpor a měrná elektrická vodivost viz „Tabulka s technickými údaji“.**

Údaj podle normy při 15 °C			20 °C			25 °C		
Měrný odpor $\rho \geq$	Měrný odpor $\sigma \leq$	Vodivost $\mu S/cm$	Měrný odpor $\rho \geq$	Měrný odpor $\sigma \leq$	Vodivost $\mu S/cm$	Měrný odpor $\rho \geq$	Měrný odpor $\sigma \leq$	Vodivost $\mu S/cm$
$\geq \Omega cm$	mS/m	$\mu S/cm$	$\geq \Omega cm$	mS/m	$\mu S/cm$	$\geq \Omega cm$	mS/m	$\mu S/cm$
1000	100	1000	890	112	1124	815	123	1227
1300	77	769	1175	85	851	1072	93	933

### 15.5 Údaje ke spotřebě energie

List technických údajů k výrobku: Běžné zařízení k přípravě teplé vody v souladu s nařízením (EU) č. 812/2013 | 814/2013

	EIL 3 Premium 200134	EIL 4 Premium 200135	EIL 6 Premium 200136	EIL 7 Premium 200137
Výrobce	STIEBEL ELTRON	STIEBEL ELTRON	STIEBEL ELTRON	STIEBEL ELTRON
Zátěžový profil	XXS	XXS	XXS	XS
Třída energetické účinnosti	A	A	A	A
Energetická účinnost	% 39	38	39	40
Roční spotřeba el. energie	kWh 478	478	478	467
Nastavení teploty od výrobce	°C 38	38	38	38
Hladina akustického výkonu	dB(A) 15	15	15	15
Zvláštní pokyny k měření účinnosti	žádné	žádné	žádné	žádné
Denní spotřeba el. energie	kWh 2,200	2,200	2,200	2,130

# INSTALACE

## Technické údaje

### 15.6 Tabulka údajů

	EIL 3 Premium				EIL 4 Premium				EIL 6 Premium				EIL 7 Premium		
	200134				200135				200136				200137		
Elektrotechnické údaje															
Jmenovité napětí	V	200	220	230	240	200	220	230	240	200	220	230	240	380	400
Jmenovitý výkon	kW	2,7	3,2	3,53	3,8	3,3	4,0	4,4	4,8	4,3	5,2	5,7	6,2	5,9	6,5
Jmenovitý proud	A	13,3	14,5	15,2	15,8	16,7	18,2	19,1	20,0	21,6	23,6	24,7	25,8	15,5	16,3
Jištění	A	16				20				25	25	25	32	16	20
Frekvence	Hz	50/60				50/60				50/60				50/-	50/-
Fáze		1/N/PE				1/N/PE				1/N/PE				2/PE	2/PE
Specifický odpor $\rho_{15} \geq$ (při $\vartheta_{\text{studená}} \leq 25 \text{ }^\circ\text{C}$ )	$\Omega \text{ cm}$	1000				1000				1000				1000	1000
Specifická vodivost $\sigma_{15} \leq$ (při $\vartheta_{\text{studená}} \leq 25 \text{ }^\circ\text{C}$ )	$\mu\text{S/cm}$	1000				1000				1000				1000	1000
Měrný odpor $\rho_{15} \geq$ (při $\vartheta_{\text{studená}} > 25 \text{ }^\circ\text{C}$ )	$\Omega \text{ cm}$	1300				1300				1300				1300	1300
Měrná vodivost $\sigma_{15} \leq$ (při $\vartheta_{\text{studená}} > 25 \text{ }^\circ\text{C}$ )	$\mu\text{S/cm}$	770				770				770				770	770
Max. impedance sítě při 50 Hz	$\Omega$	0,083	0,079	0,076		0,065	0,063	0,06		0,049	0,047	0,045		0,236	0,225
Připojky															
Vodovodní přípojka		G 3/8 A				G 3/8 A				G 3/8 A				G 3/8 A	G 3/8 A
Meze použitelnosti															
Max. dovolený tlak	MPa	1				1				1				1	1
Max. teplota přítoku pro dodatečný ohřev	$^\circ\text{C}$	50				50				50				50	50
Hodnoty															
Max. povolená vstupní teplota vody	$^\circ\text{C}$	55				55				55				55	55
Rozsah nastavení teploty teplé vody	$^\circ\text{C}$	30-50				30-50				30-50				30-50	30-50
Zap	l/min	>1,5				>1,8				>2,2				>2,2	>2,2
Tlakové ztráty při objemovém průtoku	MPa	0,05				0,06				0,07				0,07	0,07
Objemový průtok pro tlakovou ztrátu	l/min	1,5				1,8				2,2				2,2	2,2
Omezení průtoku při	l/min	2,0				2,2				3,2				3,2	3,2
Výkon teplé vody	l/min	2,0				2,2				3,2				3,2	3,7
$\Delta\vartheta$ při výkonu teplé vody	K	25				25				25				25	25

# INSTALACE

## Technické údaje

		EIL 3 Premium	EIL 4 Premium	EIL 6 Premium	EIL 7 Premium
Údaje o hydraulickém systému					
Jmenovitý objem		0,1	0,1	0,1	0,1
Provedení					
Způsob montáže nad umyvadlo		X	X	X	X
Způsob montáže pod umyvadlo		X	X	X	X
Beztlakové provedení		X	X	X	X
Tlakové provedení		X	X	X	X
Třída krytí		1	1	1	1
Izolační blok		plast	plast	plast	plast
Zdroj tepla topného systému		holá spirála	holá spirála	holá spirála	holá spirála
Víko a zadní stěna		plast	plast	plast	plast
Barva		bílá	bílá	bílá	bílá
Krytí (IP)		IP 25	IP 25	IP 25	IP 25
Rozměry					
Výška	mm	143	143	143	143
Šířka	mm	190	190	190	190
Hloubka	mm	82	82	82	82
Délka přívodního kabelu	mm	700	700	700	700
Hmotnosti					
Hmotnost	kg	1,5	1,5	1,5	1,5



### Upozornění

Přístroj vyhovuje normě IEC 61000-3-12.

### Záruka

Pro přístroje nabyté mimo území Německa neplatí záruční podmínky poskytované našimi firmami v Německu. V zemích, ve kterých některá z našich dceřiných společností distribuuje naše výrobky, poskytuje záruku jenom tato dceřiná společnost. Takovou záruku lze poskytnout pouze tehdy, pokud dceřiná společnost vydala vlastní záruční podmínky. Jinak nelze záruku poskytnout.

Na přístroje zakoupené v zemích, ve kterých nejsou naše výrobky distribuovány žádnou z dceřiných společností, neposkytujeme žádnou záruku. Případné záruky závazně přislíbené dovozcem zůstávají proto nedotčené.

### Životní prostředí a recyklace

Pomozte nám chránit naše životní prostředí. Materiály po použití zlikvidujte v souladu s platnými národními předpisy.

## ŠPECIÁLNE POKYNY

### OBSLUHA

<b>1. Všeobecné pokyny</b>	<b>105</b>
1.1 Bezpečnostné pokyny	105
1.2 Iné označenia v tejto dokumentácii	106
1.3 Rozmerové jednotky	106
<b>2. Bezpečnosť</b>	<b>107</b>
2.1 Použitie v súlade s určením	107
2.2 Všeobecné bezpečnostné pokyny	107
2.3 Certifikačné značky	107
<b>3. Popis zariadenia</b>	<b>108</b>
<b>4. Nastavenia</b>	<b>108</b>
<b>5. Čistenie, ošetrovanie a údržba</b>	<b>109</b>
<b>6. Odstraňovanie problémov</b>	<b>109</b>

### INŠTALÁCIA

<b>7. Bezpečnosť</b>	<b>110</b>
7.1 Všeobecné bezpečnostné pokyny	110
7.2 Predpisy, normy a ustanovenia	110
<b>8. Popis zariadenia</b>	<b>110</b>
8.1 Rozsah dodávky	110
8.2 Príslušenstvo	111
<b>9. Prípravy</b>	<b>111</b>
<b>10. Montáž</b>	<b>111</b>
10.1 Miesto montáže	111
10.2 Alternatívy montáže	112

10.3 Vytvorenie elektrickej prípojky	115
<b>11. Uvedenie do prevádzky</b>	<b>116</b>
11.1 Prvé uvedenie do prevádzky	116
11.2 Odovzdanie zariadenia	116
11.3 Opätovné uvedenie do prevádzky	116
11.4 Nastavenia	116
<b>12. Vyradenie z prevádzky</b>	<b>118</b>
<b>13. Odstraňovanie porúch</b>	<b>118</b>
<b>14. Údržba</b>	<b>120</b>
14.1 Vypustenie zariadenia	120
14.2 Vyčistenie sitko	120
14.3 Kontroly podľa VDE 0701/0702	120
14.4 Skladovanie prístroja	121
14.5 Výmena elektrických napájacích káblov na module EIL 6 Premium	121
<b>15. Technické údaje</b>	<b>121</b>
15.1 Rozmery a prípojky	121
15.2 Elektrická schéma zapojenia	122
15.3 Zvýšenie teploty	123
15.4 Oblasti použitia	124
15.5 Údaje k spotrebe energie	124
15.6 Tabuľka s údajmi	125

### ZÁRUKA

### ŽIVOTNÉ PROSTREDIE A RECYKLÁCIA

# ŠPECIÁLNE POKYNY

- Deti od 3 rokov, ako aj osoby so zníženými fyzickými, senzorickými či mentálnymi schopnosťami alebo osoby s nedostatočnými skúsenosťami a vedomosťami môžu zariadenie používať pod dozorom, prípadne ak boli o bezpečnom používaní zariadenia poučené a porozumeli z toho vyplývajúcim nebezpečenstvám. Deti sa so zariadením nesmú hrať. Čistenie a používateľskú údržbu nesmú vykonávať deti bez dozoru.
- Armatúra sa môže zohriať až na teplotu 55 °C. Pri výtokových teplotách vyšších než 43 °C vzniká nebezpečenstvo obarenia.
- Zariadenie sa musí dať odpojiť od siete všetkými pólmi s minimálnou odpojovacou vzdialenosťou 3 mm.
- Uvedené napätie sa musí zhodovať so sieťovým napätím.
- Prístroj musí byť trvalo pripojený na pevnú kabeľáž, s výnimkou modulu EIL 3 Premium.
- Pri poškodení alebo výmene môže sieťový pripojovací kábel nahradiť originálnym náhradným dielom iba odborný inštalatér oprávnený výrobcom.
- Upevnite prístroj tak, ako je popísané v kapitole „Inštalácia / Montáž“.
- Rešpektujte maximálny prípustný tlak (pozri kapitolu Inštalácia/Technické údaje/Tabuľka s údajmi).
- Nesmie dôjsť k poklesu hodnoty pod špecifický vodný odpor vodovodnej zásobovacej siete (pozri kapitolu Inštalácia / Technické údaje / Tabuľka s údajmi).



- Vypustite zariadenie tak, ako je popísané v kapitole „Inštalácia / Údržba / Vypustenie zariadenia“.

## OBSLUHA

### 1. Všeobecné pokyny

Kapitola Obsluha je určená používateľovi prístroja a odbornému remeselníkovi.

Kapitola „Inštalácia“ je určená odbornému montážnikovi.



#### Upozornenie

Pred použitím si dôkladne prečítajte tento návod a uschovejte ho.

Tento návod prípadne odovzdajte nasledujúcemu používateľovi.

### 1.1 Bezpečnostné pokyny

#### 1.1.1 Štruktúra bezpečnostných pokynov






#### SIGNÁLNE SLOVO Druh nebezpečenstva

Tu sú uvedené možné následky pri nerespektovaní bezpečnostných pokynov.

► Tu sú uvedené opatrenia na odvrátenie nebezpečenstva.

### 1.1.2 Symboly, druh nebezpečenstva

Symbol	Druh nebezpečenstva
	Poranenie
	Zásah elektrickým prúdom
	Popálenie (popálenie, obarenie)

### 1.1.3 Signálne slová

SIGNÁLNE SLOVO	Význam
NEBEZPEČEN-STVO	Pokyny, ktorých nedodržovanie má za následok ťažké poranenia alebo smrť.
VÝSTRAHA	Pokyny, ktorých nerespektovanie môže mať za následok ťažké poranenia alebo smrť.
POZOR	Pokyny, ktorých nedodržovanie môže viesť k stredne ťažkým alebo ľahkým poraneniám.



### 1.2 Iné označenia v tejto dokumentácii



#### Upozornenie

Upozornenia sú ohraničené horizontálnymi čiarami nad a pod textom. Všeobecné pokyny sú označené vedľa uvedeným symbolom.

► Pozorne si prečítajte texty upozornení.

Symbol	
	Vecné škody (škody na zariadení, následné škody, škody na životnom prostredí)
	Likvidácia zariadenia

► Tento symbol vám signalizuje, že musíte niečo urobiť. Potreb-  
né postupy sú popísané krok za krokom.

### 1.3 Rozmerové jednotky



#### Upozornenie

Ak nie je uvedené inak, použitá jednotka miery je mili-  
meter.

## 2. Bezpečnosť

### 2.1 Použitie v súlade s určením

Zariadenie je určené na používanie v domácom prostredí. Bezpečne ho môžu používať aj osoby, ktoré neboli o používaní poučené. Zariadenie sa môže používať aj v inom ako domácom prostredí, napr. v malých prevádzkach, ak sa používa rovnakým spôsobom.

Prístroj slúži na ohrev pitnej vody alebo na dohrev predhriatej vody. Prístroj je určený pre umývadlo.

Iné použitie alebo použitie nad určený rámec sa pokladá za použitie v rozpore s určením. K použitiu v súlade s určením patrí aj dodržovanie tohto návodu, ako aj návodov pre použité príslušenstvo.

### 2.2 Všeobecné bezpečnostné pokyny



#### NEBEZPEČENSTVO Obarenie

Armatúra sa môže zohriať až na teplotu 55 °C. Pri výtokových teplotách vyšších než 43 °C vzniká nebezpečenstvo obarenia.



#### VÝSTRAHA Poranenie

Deti od 3 rokov ako aj osoby so zníženými fyzickými, senzorickými či mentálnymi schopnosťami, alebo osoby s nedostatočnými skúsenosťami a vedomosťami môžu zariadenie používať pod dozorom, prípadne ak boli o bezpečnom používaní zariadenia poučené a porozumeli z toho vyplývajúcim nebezpečenstvám. Deti sa so zariadením nesmú hrať. Čistenie a používateľskú údržbu nesmú vykonávať deti bez dozoru.



#### NEBEZPEČENSTVO Zásah elektrickým prúdom

Poškodené elektrické napájacie káble musí vymeniť odborný remeselník. Vďaka tomu sa vylúči možné ohrozenie.



#### Materiálne škody

Prístroj a armatúru chráňte pred mrazom.



#### Materiálne škody

Používajte iba dodaný špeciálny prúdový regulátor. Predchádzajte zavápneniu výtokov armatúry (pozri kapitolu „Čistenie, ošetrovanie a údržba“).

### 2.3 Certifikačné značky

Pozri typový štítok na zariadení.

### 3. Popis zariadenia

Elektronicky regulovaný mini prietokový ohrievač udržiava konštantnú výtokovú teplotu nezávisle od prívodnej teploty až po hranicu výkonu.

Prístroj je od výroby nastavený na výtokovú teplotu vhodnú na umývanie rúk. Keď je teplota dosiahnutá, elektronika automaticky zníži výkon. Výkon sa prispôsobí požadovanej teplote, takže teplota sa viac nezvyšuje.

Prístroj ohreje vodu priamo na odbernom mieste, hneď ako sa otvorí armatúra. Vďaka krátkym rozvodom dochádza k minimálnym energetickým a tepelným stratám.

Teplododný výkon závisí od teploty studenej vody, ohrievacieho výkonu a prietokového množstva.

Ohrievací systém neizolovaným vodičom je určený pre vodu s vysokým aj nízkym obsahom vápnika. Ohrevný systém je do veľkej miery odolný voči zavápneniu. Ohrevný systém zabezpečuje rýchlu a efektívnu prípravu teplej vody pre umývadlo.

Odborný remeselník môže nastaviť maximálne hodnoty teploty a objemového prietoku (pozri kapitolu Uvedenie do prevádzky/ Nastavenia).

Namontovaním priloženého špeciálneho prúdového regulátora dosiahnete optimálny prúd vody.

### 4. Nastavenia

Hneď ako otvoríte teplovodný ventil na armatúre alebo aktivujete snímač sensorovej armatúry, automaticky sa zapne ohrevný systém prístroja. Voda sa ohreje. Teplotu vody môžete meniť pomocou armatúry:

Zapínacie množstvo a obmedzenie prietoku pozri v kapitole Technické údaje.

#### Zvýšenie teploty

- ▶ Pomocou armatúry znížte prietokové množstvo.

#### Zníženie teploty

- ▶ Otvorte viac armatúru alebo primiešajte viac studenej vody.

#### Po prerušení zásobovania vodou

Pozri kapitolu Uvedenie do prevádzky / Opätovné uvedenie do prevádzky.

## 5. Čistenie, ošetrovanie a údržba

- ▶ Nepoužívajte čistiace prostriedky s obsahom abrazívnych látok alebo rozpúšťadiel. Na ošetrovanie a čistenie zariadenia vám postačí vlhká utierka.
- ▶ Pravidelne kontrolujte armatúry. Vápnik na výtoku armatúr môžete odstrániť pomocou bežných odváňovacích prostriedkov.
- ▶ Nechajte odborného montážnika pravidelne skontrolovať elektrickú bezpečnosť na zariadení.
- ▶ Špeciálny prúdový regulátor v armatúre pravidelne odváňujte alebo ho vymieňajte za nový (pozri kapitolu Popis prístroja / Príslušenstvo).

## 6. Odstraňovanie problémov

Problém	Príčina	Odstránenie
Zariadenie sa aj napriek úplne otvorenému teplovodnému ventilu nezapína.	Na zariadení nie je prítomné žiadne napätie.	Skontrolujte poistku domovej inštalácie.
	Prúdový regulátor v armatúre je zavápnený alebo zanesený.	Vyčistíte a/alebo odváňnite prúdový regulátor alebo ho vymeňte za nový.
	Zásobovanie vodou je prerušené.	Odvzdušnite prístroj a prívod studenej vody (pozri kapitolu Nastavenia).
Požadovaná teplota sa nedosahuje.	Maximálna teplota je v prístroji nastavená na príliš nízku hodnotu. Prístroj je na hranici výkonu.	Nechajte maximálnu teplotu znovu nastaviť odborným remeselníkom. Znížte objemový prietok.

Ak neviete príčinu odstrániť, zavolajte odborného montážnika. Kvôli lepšej a rýchlejšej pomoci uveďte číslo z typového štítku (000000-0000-00000).

Model:  E-č.:

F-č.:

# INŠTALÁCIA

## 7. Bezpečnosť

Inštaláciu, uvedenie do prevádzky ako aj údržbu a opravu zariadenia smie vykonávať iba odborný montážnik.

### 7.1 Všeobecné bezpečnostné pokyny

Bezchybnú funkciu a prevádzkovú bezpečnosť zaručujeme len vtedy, ak sa používa originálne príslušenstvo a originálne náhradné diely, ktoré sú pre prístroj určené.



#### Materiálne škody

Dodržiavajte maximálnu prípustnú prírodnú teplotu. Pri vyšších teplotách sa zariadenie môže poškodiť. Prostredníctvom centrálnej termostatickej armatúry môžete obmedziť prírodnú teplotu.



#### VÝSTRAHA Zásah elektrickým prúdom

Tento prístroj obsahuje kondenzátory, ktoré sa po odpojení od elektrickej siete vybíjajú. Vybíjacie napätie kondenzátora môže eventuálne krátkodobo dosahovať > 34 V DC.

## 7.2 Predpisy, normy a ustanovenia



#### Upozornenie

Dbajte na všetky vnútroštátne a regionálne predpisy a ustanovenia.

Špecifický elektrický odpor vody nesmie byť nižší ako jeho hodnota uvedená na typovom štítku. Pri prepojenej vodovodnej sieti musíte zohľadňovať najnižší elektrický odpor vody (pozri kapitolu Technické údaje / Tabuľka s údajmi). Špecifický elektrický odpor alebo elektrickú vodivosť vody sa dozviete od vodárenskej spoločnosti, ktorá vás zásobuje vodou.

## 8. Popis zariadenia

### 8.1 Rozsah dodávky

So zariadením sa dodáva:

- Sito v privode studenej vody
- Špeciálny prúdový regulátor
- Pripojovacia hadica, dĺžka 3/8, 500 mm, s tesneniami\*
- T-kus 3/8\*
- Firemné logo pre prípad montáže nad umývadlom

\* pri pripojení tlakového prístroja

### 8.2 Príslušenstvo

#### Špeciálny prúdový regulátor



##### Upozornenie

Namontovaním špeciálneho prúdového regulátora do armatúry dosiahnete optimálny prúd vody.

#### Armatúry

► Použite vhodné armatúry.

#### Beztlakové armatúry

- MAW (OT) Nástenná armatúra nad umývadlo
- MAZ (UT) Umývadlová armatúra s dvomi kohútikmi
- MAE (OTE) Umývadlová armatúra s jedným kohútikom

#### Tlakové armatúry

Vhodné tlakové armatúry sú dostupné v profesionálnych predajniach.

### 9. Prípravy

► Vodovodné potrubie dobre prepláchnite.

#### Vodovodná inštalácia

Poistný ventil sa nevyžaduje.

### 10. Montáž

#### 10.1 Miesto montáže

Prístroj montujte vždy v nezamrzajúcej miestnosti v blízkosti odberného miesta.

Dbajte na dobrý prístup k bočným upevňovacím skrutkám krytu.

Prístroj je vhodný na montáž pod umývadlo (vodovodné prípojky hore) a na montáž nad umývadlo (vodovodné prípojky dole).



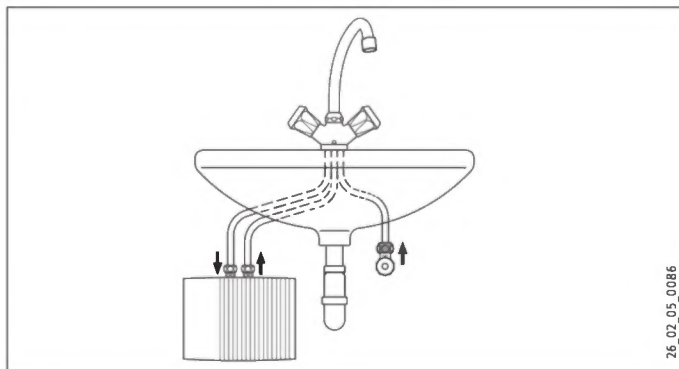
**NEBEZPEČENSTVO** Zásah elektrickým prúdom  
Nastavovacia skrutka na prestavenie objemového prietoku vedie napätie a druh krytia IP25 je zabezpečený len v prípade namontovanej zadnej steny prístroja.

► Vždy namontujte zadnú stenu prístroja.

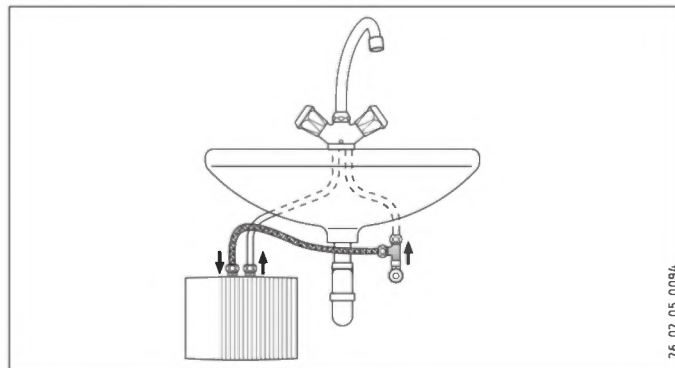
### 10.2 Alternatívy montáže

#### 10.2.1 Montáž pod umývadlo

##### Beztlaková, s beztlakovou armatúrou



##### Tlaková, s tlakovou armatúrou



#### Montáž zariadenia



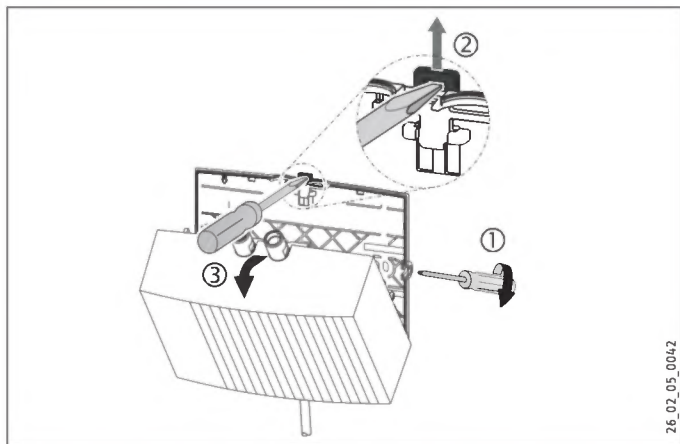
#### Upozornenie

- ▶ Namontujte zariadenie na stenu.  
Stena musí byť dostatočne nosná.

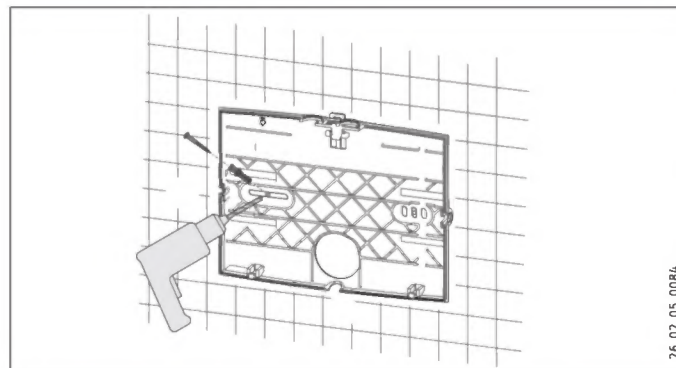


# INŠTALÁCIA

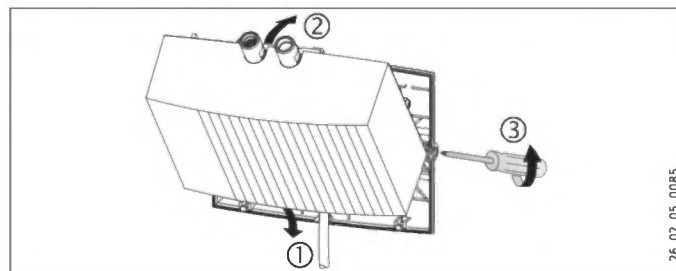
## Montáž



- ▶ Uvoľníte upevňovacie skrutky krytu o dve otáčky.
- ▶ Odblokujte zaskakovací uzáver pomocou skrutkovača.
- ▶ Kryt prístroja vyberte spolu s ohrevným systémom smerom dopredu.
- ▶ Pomocou klieští vylomte v kryte prístroja priechodkový otvor pre elektrické napájacie káble. Otvor prípadne upravte pilníkom.



- ▶ Ako vŕtaciú šablónu použijete zadnú stenu prístroja.
- ▶ Zadnú stenu prístroja upevníte na stenu pomocou vhodných hmoždieniek a skrutiek.



- ▶ Elektrické napájacie káble vložte do priechodkového otvoru zadnej steny.

# INŠTALÁCIA

## Montáž

- ▶ Kryt prístroja spolu s ohrevným systémom dolu zaháknite.
- ▶ Ohrevný systém zaklapnite v zaskakovacom uzávere.
- ▶ Kryt prístroja upevnite pomocou upevňovacích skrutiek krytu.

### Montáž armatúry

- ▶ Namontujte armatúru. Dodržiavajte pritom návod na obsluhu a inštaláciu armatúry.



#### Materiálne škody

- ▶ Počas montáže všetkých prípojok musíte pomocou kľúča SW 14 vytvárať protipohyb.

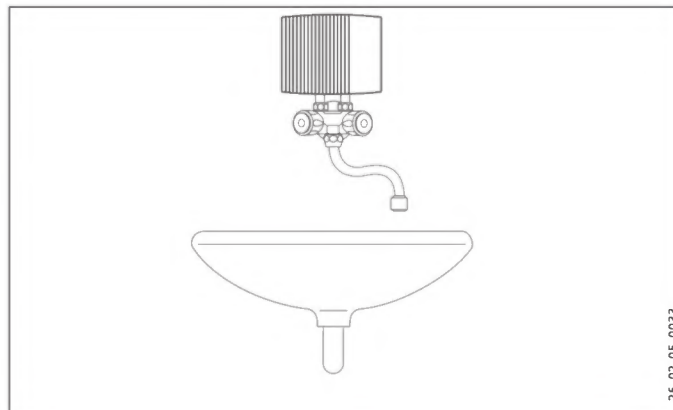
### Tlaková armatúra



#### Upozornenie

- ▶ Namontujte dodanú pripojovaciu hadicu 3/8 a T-kus 3/8.

### 10.2.2 Montáž nad umývadlo, beztlaková, s beztlakovou armatúrou



### Montáž armatúry

- ▶ Namontujte armatúru. Dodržiavajte pritom návod na obsluhu a inštaláciu armatúry.



#### Materiálne škody

- ▶ Počas montáže všetkých prípojok musíte na prístroji pomocou kľúča s otvorom 14 zabezpečiť podopretie, pozri kapitolu Alternatívy montáže / Montáž pod umývadlo.

# INŠTALÁCIA

## Montáž

### Montáž zariadenia

- ▶ Prístroj spolu s vodovodnými prípojkami namontujte na armatúru.

### 10.3 Vytvorenie elektrickej prípojky



**NEBEZPEČENSTVO Zásah elektrickým prúdom**  
Všetky práce na elektrickom pripojení a elektrické inštalčné práce vykonávajte podľa predpisov.



**NEBEZPEČENSTVO Zásah elektrickým prúdom**  
Dbajte na to, aby zariadenie bolo pripojené na ochranný vodič.  
Zariadenie sa musí dať odpojiť od siete všetkými pólmi s minimálnou odpojovacou vzdialenosťou 3 mm.



**NEBEZPEČENSTVO Zásah elektrickým prúdom**  
Prístroje sú v stave pri dodaní vybavené elektrickým napájacím káblom (EIL 3 Premium so zástrčkou).  
Pripojenie na pevné elektrické vedenie je možné, ak káble majú prierez minimálne ako sériové napájacie káble prístroja. Maximálny možný prierez káblov je 3 x 6 mm<sup>2</sup>.  
▶ Pri montáži prístroja nad umývadlo musíte elektrické napájacie káble viesť poza prístroj.



#### Materiálne škody

Pri pripojení do zásuvky s ochranným kontaktom (v prípade elektrických napájacích káblov so zástrčkou) dbajte na to, aby bola zásuvka s ochranným kontaktom po inštalácii prístroja voľne prístupná.



#### Materiálne škody

Dbajte na typový štítok. Uvedené napätie sa musí zhodovať so sieťovým napätím.

- ▶ Elektrický napájací kábel pripojte podľa elektrickej schémy zapojenia (pozri kapitolu Technické údaje / Elektrická schéma zapojenia).

### 11. Uvedenie do prevádzky

#### 11.1 Prvé uvedenie do prevádzky



- ▶ Viacnásobným otvorením armatúry plňte prístroj, až kým sa potrubná sieť a prístroj neodvzdušnia.
- ▶ Vykonaajte kontrolu tesnosti.
- ▶ Zasuňte zástrčku elektrických napájacích káblov, ak je k dispozícii, do zásuvky s ochranným kontaktom alebo zapnite poistku.
- ▶ Skontrolujte činnosť zariadenia.
- ▶ Pri montáži nad umývadlo musíte firemné logo prelepiť priloženým firemným logom.

#### 11.2 Odovzdanie zariadenia

- ▶ Vysvetlite funkciu zariadenia používateľovi a oboznámte ho s jeho používaním.
- ▶ Poučte ho o možných nebezpečenstvách, osobitne o nebezpečenstve obarenia.
- ▶ Odovzdajte tento návod.

### 11.3 Opätovné uvedenie do prevádzky



#### Materiálne škody

Po prerušení zásobovania vodou musí byť prístroj pomocou nasledujúcich krokov opäť uvedený do prevádzky, aby sa nezničil ohrevný systém holým drôtom.

- ▶ Vypnite prístroj do beznapätového stavu. Na tento účel vytiahnite zástrčku elektrického napájacieho kábla, ak je k dispozícii, alebo vypnite poistku.
- ▶ Pozri kapitolu Prvé uvedenie do prevádzky.

### 11.4 Nastavenia

Maximálne hodnoty objemového prietoku a teploty môžete meniť.



#### NEBEZPEČENSTVO Zásah elektrickým prúdom

Prestavenie objemového prietoku a nastavenie teploty je možné len vtedy, ak je prístroj odpojený od elektrickej siete.

- ▶ Prístroj odpojte od elektrickej siete všetkými pólmi.

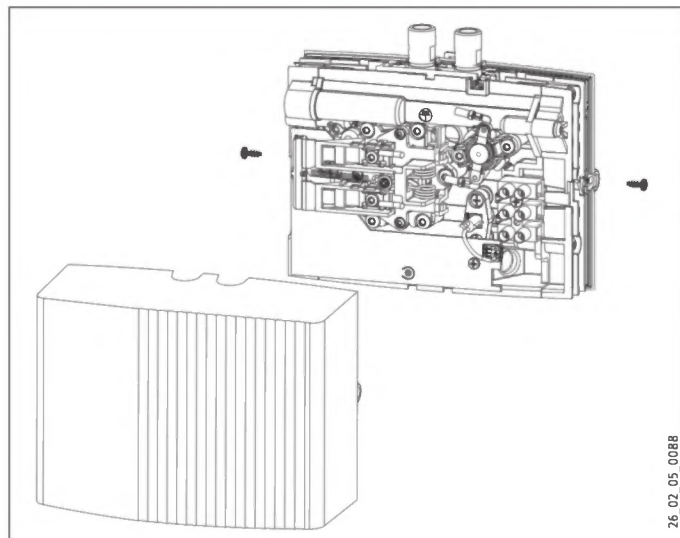


#### NEBEZPEČENSTVO Zásah elektrickým prúdom

Nastavovacia skrutka na prestavenie objemového prietoku a potenciometer na nastavenie teploty vedú napätie, ak prístroj nie je odpojený od elektrickej siete.

# INŠTALÁCIA

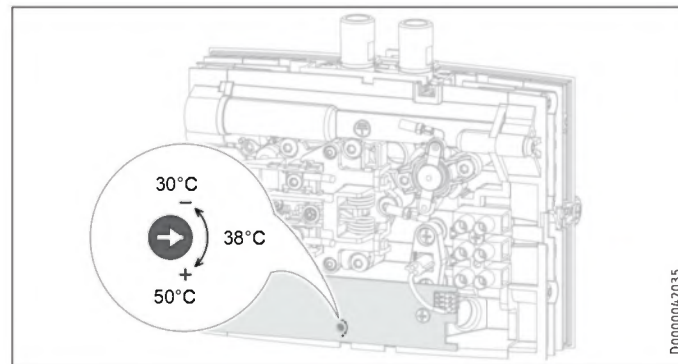
## Uvedenie do prevádzky



- Snímite kryt zariadenia.

### Nastavenie maximálnej teploty

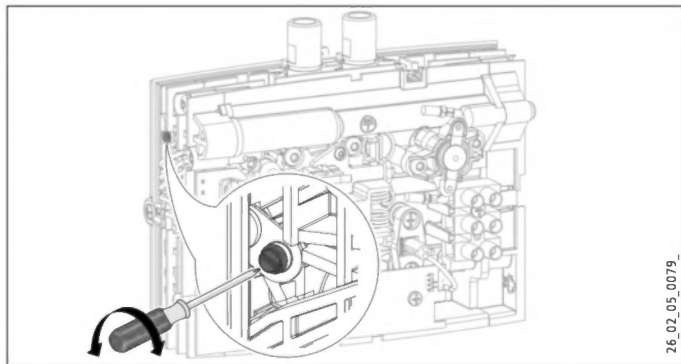
Nastavenie z výroby: 38 °C



- Pomocou skrutkovača nastavte potenciometer na požadovanú maximálnu teplotu.
- Namontujte kryt prístroja.

### Obmedzenie objemového prietoku

Nastavenie z výroby: Maximálny objemový prietok



- ▶ Pomocou nastavovacej skrutky nastavte požadovaný objemový prietok:
- Najmenší objemový prietok = skrutku priskrutkujte až na doraz.
- Najväčší objemový prietok = skrutku odskrutkujte až na doraz.
- ▶ Namontujte kryt prístroja.

### 12. Vyradenie z prevádzky

- ▶ Pomocou poistky v domovej inštalácii odpojte prístroj od sieťového napätia alebo vytiahnite zástrčku elektrických napájacích káblov.
- ▶ Vyprázdnite prístroj (pozri kapitolu Údržba).

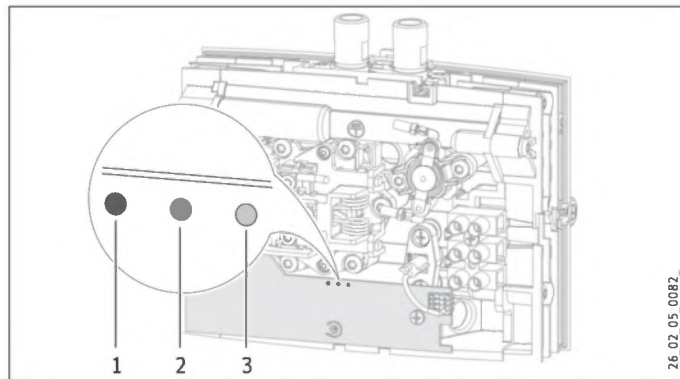
### 13. Odstraňovanie porúch

Problém	Príčina	Odstránenie
Zariadenie sa aj napriek úplne otvorenému teplovodnému ventilu nezapína.	Prúdový regulátor v armatúre je zavápnený alebo zanesený.	Vyčistite a/alebo odvápňte prúdový regulátor alebo ho vymeňte za nový.
	Nastavený objemový prietok je príliš malý.	Zväčšite objemový prietok.
	Sito v prívode studenej vody je upchaté.	Vyčistite sito po zatvorení prívodu studenej vody.
	Ohrevný systém je chybný.	Odmerajte odpor ohrevného systému, príp. vymeňte prístroj.
	Bezpečnostný tlakový spínač zareagoval.	Odstráňte príčinu chyby. Odpojte prístroj od napätia a odpustením vody znížte tlak v potrubí. Aktivujte bezpečnostný tlakový spínač.
Požadovaná teplota sa nedosahuje.	Prístroj je na hranici výkonu.	Znížte objemový prietok.

# INŠTALÁCIA

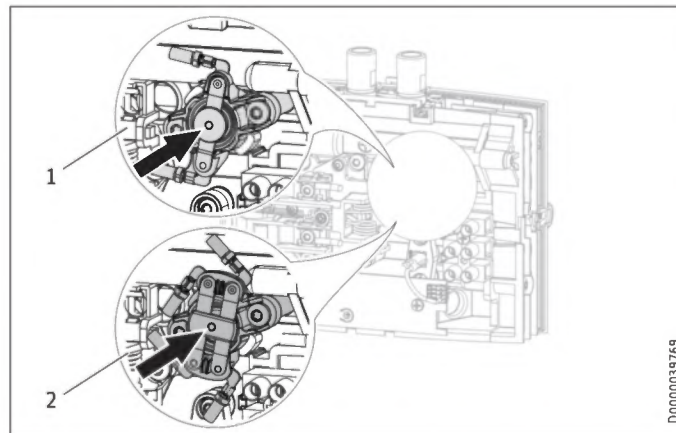
## Odstraňovanie porúch

### Indikácia svetelnou diódou



- 1 Červená indikácia v prípade poruchy
- 2 Žltá indikácia pri ohrievaní
- 3 Zelená blikajúca indikácia pri napájaní elektroniky napätím

### Aktivácia bezpečnostného tlakového spínača



- 1 1-pólový bezpečnostný tlakový spínač EIL 4 Premium / EIL 6 Premium
- 2 2-pólový bezpečnostný tlakový spínač EIL 3 Premium / EIL 7 Premium

### 14. Údržba



**NEBEZPEČENSTVO** Zásah elektrickým prúdom  
Pri všetkých prácach odpojte všetky póly zariadenia od sieťového pripojenia.

#### 14.1 Vypustenie zariadenia



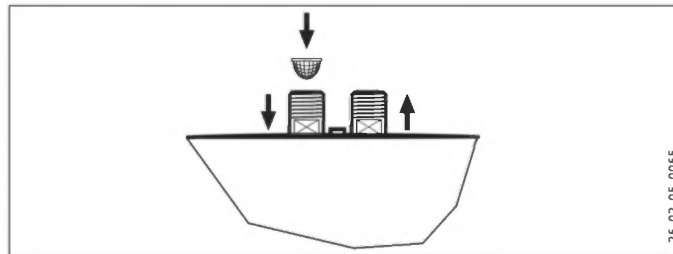
**NEBEZPEČENSTVO** Obarenie  
Pri vypúšťaní môže vytekať horúca voda.

Ak treba prístroj vyprázdniť kvôli údržbovým prácam alebo kvôli nebezpečenstvu mrazu s cieľom ochrany celej inštalácie, postupujte nasledovne:

- ▶ Zatvorte uzatvárací ventil v prívode studenej vody.
- ▶ Otvorte odberový ventil.
- ▶ Odpojte vodovodné prípojky od prístroja.

#### 14.2 Vyčistite sitko

Zabudované sito môžete vyčistiť po demontáži prípojného vedenia studenej vody.



#### 14.3 Kontroly podľa VDE 0701/0702

##### Kontrola ochranného vodiča

- ▶ Skontrolujte ochranný vodič (v Nemecku napr. DGUV A3) na kontakte ochranného vodiča elektrických napájacích káblov a na prípojnom hrdle prístroja.



# INŠTALÁCIA

## Technické údaje

### Izolačný odpor

Vzhľadom na to, že tento prístroj je ovládaný elektronicky, meranie izolačného odporu podľa VDE 0701/0702 sa neďá vykonať.

- ▶ Na kontrolu účinnosti izolačných vlastností tohto prístroja odporúčame vykonať meranie rozdielového prúdu pre prúd ochranného vodiča/zvodový prúd podľa VDE 0701/0702 (obrázok C.3b).

### 14.4 Skladovanie prístroja

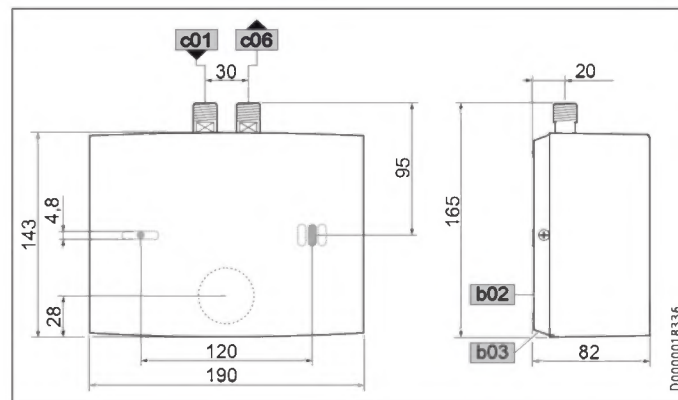
- ▶ Demontované zariadenie neskladujte v mraze, pretože sa v ňom nachádza zvyšková voda, ktorá môže zamrznúť a spôsobiť škody.

### 14.5 Výmena elektrických napájacích káblov na module EIL 6 Premium

- ▶ V prípade výmeny sa na module EIL 6 Premium musí použiť elektrický napájací kábel s prierezom 4 mm<sup>2</sup>.

## 15. Technické údaje

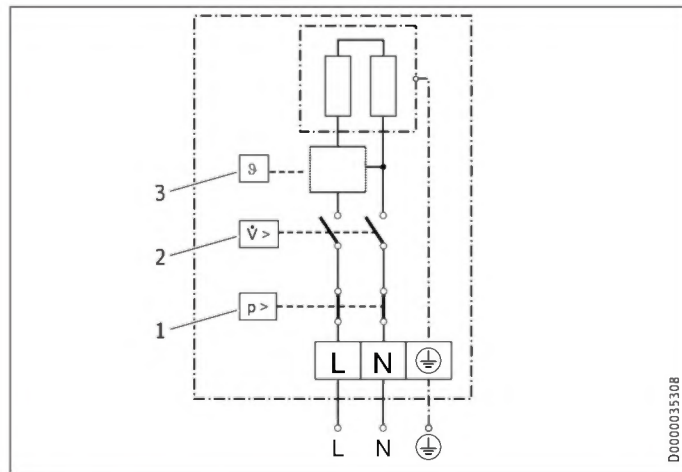
### 15.1 Rozmery a prípojky



b02	Priechodka elektr. vedení I		
b03	Priechodka elektr. vedení II		
c01	Studená voda prívod	Vonkajší závit	G 3/8 A
c06	Teplá voda výtok	Vonkajší závit	G 3/8 A

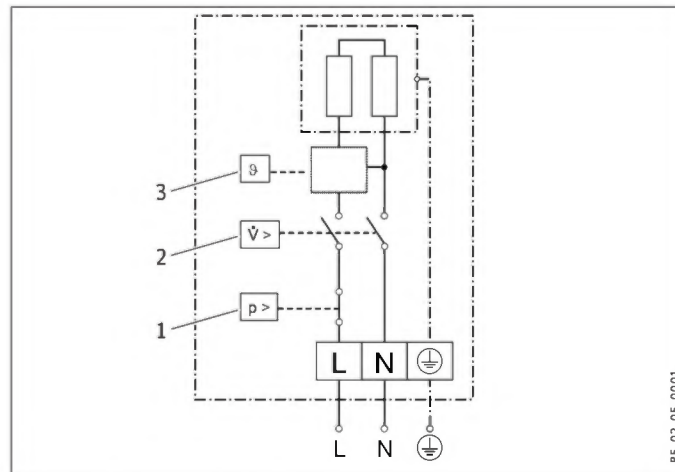
### 15.2 Elektrická schéma zapojenia

#### 15.2.1 EIL 3 Premium 1/N/PE ~ 200-240 V



- 1 Bezpečnostný tlakový spínač
- 2 Spínač tlakového rozdielu
- 3 Elektronika so snímačom výtokovej teploty

#### 15.2.2 EIL 4 Premium a EIL 6 Premium 1/N/PE ~ 200-240 V



- 1 Bezpečnostný tlakový spínač
- 2 Spínač tlakového rozdielu
- 3 Elektronika so snímačom výtokovej teploty



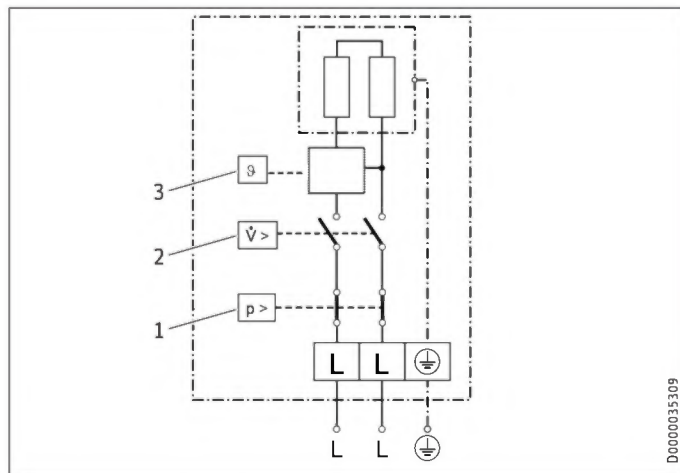
#### Materiálne škody

- Pri pevnom pripojení pripojte elektrické napájacie káble podľa označenia svoriek zdierkovej svorky.

# INŠTALÁCIA

## Technické údaje

### 15.2.3 EIL 7 Premium 2/PE ~ 380-400 V

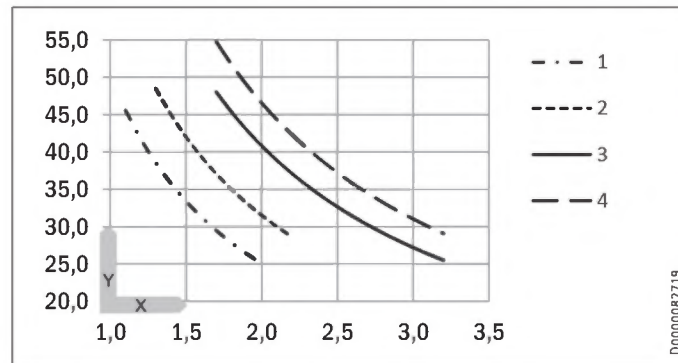


- 1 Bezpečnostný tlakový spínač
- 2 Spínač tlakového rozdielu
- 3 Elektronika so snímačom výtokovej teploty

D0000035309

### 15.3 Zvýšenie teploty

Nasledujúce zvýšenia teploty sa dosahujú pri napätí 230 V / 400 V:



D0000082719

X Objemový prietok v l/min.

Y Zvýšenie teploty v K

- 1 3,5 kW - 230 V
- 2 4,4 kW - 230 V
- 3 5,7 kW - 230 V
- 4 6,5 kW - 400 V

#### Príklad EIL 3 Premium s 3,5 kW

Objemový prietok	l/min	2,0
Zvýšenie teploty	K	25
Vstupná teplota studenej vody	°C	12
Maximálna možná výtoková teplota	°C	37

# INŠTALÁCIA

## Technické údaje

### 15.4 Oblasti použitia

Špecifický elektrický odpor a špecifická elektrická vodivosť, pozri Tabuľka s údajmi.

Normalizovaný údaj pri 15 °C			20 °C			25 °C		
Špec. odpor $\rho \geq$	Špec. Vodivosť $\sigma \leq$	μS/cm	Špec. odpor $\rho \geq$	Špec. Vodivosť $\sigma \leq$	μS/cm	Špec. odpor $\rho \geq$	Špec. Vodivosť $\sigma \leq$	μS/cm
Ωcm	mS/m		Ωcm	mS/m		Ωcm	mS/m	
1000	100	1000	890	112	1124	815	123	1227
1300	77	769	1175	85	851	1072	93	933

### 15.5 Údaje k spotrebe energie

Informačný list výrobku: Konvenčný ohrievač vody podľa nariadenia (EÚ) č. 812/2013 | 814/2013

	EIL 3 Premium	EIL 4 Premium	EIL 6 Premium	EIL 7 Premium
	200134	200135	200136	200137
Výrobca	STIEBEL ELTRON	STIEBEL ELTRON	STIEBEL ELTRON	STIEBEL ELTRON
Záťažový profil	XXS	XXS	XXS	XS
Trieda energetickej účinnosti	A	A	A	A
Energetická účinnosť	%	39	38	39
Ročná spotreba el. energie	kWh	478	478	467
Nastavenie teploty z výroby	°C	38	38	38
Hladina akustického výkonu	dB(A)	15	15	15
Špeciálne poznámky k meraniu účinnosti	žiadne	žiadne	žiadne	žiadne
Denná spotreba el. energie	kWh	2,200	2,200	2,130

# INŠTALÁCIA

## Technické údaje

### 15.6 Tabuľka s údajmi

		EIL 3 Premium				EIL 4 Premium				EIL 6 Premium				EIL 7 Premium	
		200134				200135				200136				200137	
Elektrické údaje															
Menovité napätie	V	200	220	230	240	200	220	230	240	200	220	230	240	380	400
Príkion	kW	2,7	3,2	3,53	3,8	3,3	4,0	4,4	4,8	4,3	5,2	5,7	6,2	5,9	6,5
Menovitý prúd	A	13,3	14,5	15,2	15,8	16,7	18,2	19,1	20,0	21,6	23,6	24,7	25,8	15,5	16,3
Poistka	A	16				20				25	25	25	32	16	20
Frekvencia	Hz	50/60				50/60				50/60				50/-	50/-
Fázy		1/N/PE				1/N/PE				1/N/PE				2/PE	2/PE
Špecifický odpor $\rho_{15} \geq$ (pri $\vartheta_{\text{studená}} \leq 25 \text{ }^\circ\text{C}$ )	$\Omega \text{ cm}$	1000				1000				1000				1000	1000
Špecifická vodivosť $\sigma_{15} \leq$ (pri $\vartheta_{\text{studená}} \leq 25 \text{ }^\circ\text{C}$ )	$\mu\text{S/cm}$	1000				1000				1000				1000	1000
Špecifický odpor $\rho_{15} \geq$ (pri $\vartheta_{\text{studená}} > 25 \text{ }^\circ\text{C}$ )	$\Omega \text{ cm}$	1300				1300				1300				1300	1300
Špecifická vodivosť $\sigma_{15} \leq$ (pri $\vartheta_{\text{studená}} > 25 \text{ }^\circ\text{C}$ )	$\mu\text{S/cm}$	770				770				770				770	770
Max. impedancia siete pri 50 Hz	$\Omega$	0,083	0,079	0,076		0,065	0,063	0,06		0,049	0,047	0,045		0,236	0,225
Prípojky															
Vodovodná prípojka		G 3/8 A				G 3/8 A				G 3/8 A				G 3/8 A	
Hranice použitia															
Max. povolený tlak	MPa	1				1				1				1	
Max. prírodná teplota pre dohrev	$^\circ\text{C}$	50				50				50				50	
Hodnoty															
Max. povolená prírodná teplota	$^\circ\text{C}$	55				55				55				55	
Rozsah nastavenia teploty teplej vody	$^\circ\text{C}$	30-50				30-50				30-50				30-50	
Zap.	l/min	>1,5				>1,8				>2,2				>2,2	
Tlaková strata pri objemovom prietoku	MPa	0,05				0,06				0,07				0,07	
Prietok pre tlakovú stratu	l/min	1,5				1,8				2,2				2,2	
Obmedzenie prietoku pri	l/min	2,0				2,2				3,2				3,2	
Max. prietokové množstvo teplej vody	l/min	2,0				2,2				3,2				3,7	
$\Delta\vartheta$ pri max. prietokovom množstve	K	25				25				25				25	

# INŠTALÁCIA

## Technické údaje

		EIL 3 Premium	EIL 4 Premium	EIL 6 Premium	EIL 7 Premium
<b>Hydraulické údaje</b>					
Menovitý objem	l	0,1	0,1	0,1	0,1
<b>Vyhotovenia</b>					
Typ montáže nad umývadlo		X	X	X	X
Typ montáže pod umývadlo		X	X	X	X
Typ konštrukcie otvorený		X	X	X	X
Typ konštrukcie uzavretý		X	X	X	X
Trieda ochrany		1	1	1	1
Izolačný blok		Plast	Plast	Plast	Plast
Vykurovací systém zdroja tepla		Neizolovaný vodič	Neizolovaný vodič	Neizolovaný vodič	Neizolovaný vodič
Kryt a zadná stena		Plast	Plast	Plast	Plast
Farba		biela	biela	biela	biela
Druh krytia (IP)		IP 25	IP 25	IP 25	IP 25
<b>Rozmery</b>					
Výška	mm	143	143	143	143
Šírka	mm	190	190	190	190
Hĺbka	mm	82	82	82	82
Dĺžka pripojovacieho kábla	mm	700	700	700	700
<b>Hmotnosti</b>					
Hmotnosť	kg	1,5	1,5	1,5	1,5



### Upozornenie

Prístroj zodpovedá IEC 61000-3-12.

### Záruka

Pre zariadenia nadobudnuté mimo Nemecka neplatia záručné podmienky našich nemeckých spoločností. V krajinách, v ktorých existuje jedna z našich dcérskych spoločností predávajúcich naše výrobky, sa skôr poskytuje záruka iba od tejto dcérskej spoločnosti. Takáto záruka je poskytnutá iba vtedy, keď dcérska spoločnosť vydala vlastné záručné podmienky. Nad rámec uvedeného sa záruka neposkytuje.

Na zariadenia, ktoré boli nadobudnuté v krajinách, v ktorých naše výrobky nepredáva žiadna z našich dcérskych spoločností, záruku neposkytujeme. Prípadné záruky prisľúbené dovozcom zostávajú týmto nedotknuté.

### Životné prostredie a recyklácia

Pomôžte chrániť naše životné prostredie. Balenie prístroja je nutné zlikvidovať v súlade s vnútroštátnymi predpismi a ustanoveniami o likvidácii odpadov.

## WSKAZÓWKI SPECJALNE

### OBSŁUGA

<b>1.</b>	<b>Wskazówki ogólne</b>	<b>130</b>
1.1	Wskazówki dotyczące bezpieczeństwa	131
1.2	Inne oznaczenia stosowane w niniejszej dokumentacji	131
1.3	Jednostki miar	132
<b>2.</b>	<b>Bezpieczeństwo</b>	<b>132</b>
2.1	Użytkowanie zgodne z przeznaczeniem	132
2.2	Ogólne wskazówki dotyczące bezpieczeństwa	132
2.3	Znak kontroli	133
<b>3.</b>	<b>Opis urządzenia</b>	<b>133</b>
<b>4.</b>	<b>Nastawy</b>	<b>133</b>
<b>5.</b>	<b>Czyszczenie i konserwacja</b>	<b>134</b>
<b>6.</b>	<b>Usuwanie problemów</b>	<b>134</b>

### INSTALACJA

<b>7.</b>	<b>Bezpieczeństwo</b>	<b>135</b>
7.1	Ogólne wskazówki dotyczące bezpieczeństwa	135
7.2	Przepisy, normy i wymogi	135
<b>8.</b>	<b>Opis urządzenia</b>	<b>135</b>
8.1	Zakres dostawy	135
8.2	Osprzęt	136
<b>9.</b>	<b>Przygotowania</b>	<b>136</b>
<b>10.</b>	<b>Montaż</b>	<b>136</b>
10.1	Miejsce montażu	136
10.2	Inne sposoby montażu	137

10.3	Wykonanie przyłącza elektrycznego	140
<b>11.</b>	<b>Uruchomienie</b>	<b>141</b>
11.1	Pierwsze uruchomienie	141
11.2	Przekazanie urządzenia	141
11.3	Ponowne uruchomienie	141
11.4	Nastawy	141
<b>12.</b>	<b>Wyłączenie z eksploatacji</b>	<b>143</b>
<b>13.</b>	<b>Usuwanie usterek</b>	<b>143</b>
<b>14.</b>	<b>Konserwacja</b>	<b>145</b>
14.1	Opróżnianie urządzenia z wody	145
14.2	Czyszczenie sitka	145
14.3	Kontrole wg VDE 0701/0702	145
14.4	Przechowywanie urządzenia	146
14.5	Wymiana elektrycznego przewodu przyłączeniowego w EIL 6 Premium	146
<b>15.</b>	<b>Dane techniczne</b>	<b>146</b>
15.1	Wymiary i przyłącza	146
15.2	Schemat połączeń elektrycznych	147
15.3	Podwyższenie temperatury	148
15.4	Zakresy stosowania	149
15.5	Dane dotyczące zużycia energii	149
15.6	Tabela danych	150

### GWARANCJA

### OCHRONA ŚRODOWISKA NATURALNEGO I RECYCLING



## WSKAZÓWKI SPECJALNE

- Dzieci w wieku powyżej 3 lat, osoby o obniżonej sprawności ruchowej, sensorycznej lub umysłowej, lub też osoby bez doświadczenia i odpowiedniej wiedzy mogą obsługiwać urządzenie pod nadzorem lub samodzielnie, o ile zostały poinstruowane o zasadach bezpiecznego użytkowania urządzenia i rozumieją ewentualne zagrożenia. Urządzenie nie może być używane przez dzieci do zabawy. Czyszczenia oraz konserwacji ze strony użytkownika nie wolno powierzać dzieciom bez nadzoru.
- Temperatura armatury może osiągnąć do 55 °C. W przypadku temperatur wyższych niż 43 °C istnieje niebezpieczeństwo poparzenia.
- Urządzenie musi mieć możliwość odłączania od sieci elektrycznej za pomocą wielobiegunowego wyłącznika z rozwarciem styków wynoszącym min. 3 mm.
- Podane napięcie musi być zgodne z napięciem sieciowym.
- Urządzenie musi być trwale podłączone do stałego okablowania, wyjątek EIL 3 Premium.
- Czynności związane z wymianą sieciowego przewodu przyłączeniowego, np. w razie uszkodzenia, mogą być wykonywane wyłącznie przez wyspecjalizowanego instalatora posiadającego uprawnienia wydane przez producenta, przy użyciu oryginalnej części zamiennej.
- Zamocować urządzenie w sposób opisany w rozdziale „Instalacja / Montaż”.
- Nie przekraczać maksymalnego dopuszczalnego ciśnienia (patrz rozdział „Instalacja / Dane techniczne / Tabela danych”).

- Oporność właściwa wody z sieci wodociągowej nie może być niższa niż podana w tabeli (patrz rozdział „Instalacja / Dane techniczne / Tabela danych”).
- Urządzenie opróżnić w sposób opisany w rozdziale „Instalacja / Konserwacja / Opróżnianie urządzenia”.

## OBSŁUGA

### 1. Wskazówki ogólne

Rozdział „Obsługa” przeznaczony jest dla użytkownika i wyspecjalizowanego instalatora.

Rozdział „Instalacja” przeznaczony jest dla wyspecjalizowanego instalatora.



#### Wskazówka

Przed przystąpieniem do użytkowania należy dokładnie zapoznać się z niniejszą instrukcją i zachować ją do późniejszego wykorzystania.

W przypadku przekazania produktu innemu użytkownikowi niniejszą instrukcję należy również dołączyć.

---

## 1.1 Wskazówki dotyczące bezpieczeństwa

### 1.1.1 Struktura wskazówek dotyczących bezpieczeństwa



**HASŁO OSTRZEGAWCZE – rodzaj zagrożenia**  
 W tym miejscu określone są potencjalne skutki nieprze-  
 strzegania wskazówki dotyczącej bezpieczeństwa.  
 ► W tym miejscu są określone środki zapobiegające  
 zagrożeniu.

### 1.1.2 Symbole i rodzaje zagrożenia

Symbol	Rodzaj zagrożenia
	Obrażenia ciała
	Porażenie prądem elektrycznym
	Poparzenie (Poparzenie)

### 1.1.3 Hasła ostrzegawcze

HASŁO OSTRZEGAWCZE	Znaczenie
ZAGROŻENIE	Wskazówki, których nieprzestrzeganie prowadzi do ciężkich obrażeń ciała lub śmierci.
OSTRZEŻENIE	Wskazówki, których nieprzestrzeganie może prowadzić do ciężkich obrażeń ciała lub śmierci.
OSTROŻNIE	Wskazówki, których nieprzestrzeganie może prowadzić do średnich lub lekkich obrażeń ciała.

## 1.2 Inne oznaczenia stosowane w niniejszej dokumentacji



### Wskazówka

Wskazówki są ograniczone poziomymi liniami powyżej i poniżej tekstu. Wskazówki ogólne są oznaczone symbolem umieszczonym obok.

► Należy dokładnie zapoznać się z treścią wskazówek.

Symbol	
	Szkody materialne (uszkodzenie urządzenia, szkody następcze, zanieczyszczenie środowiska)
	Utylizacja urządzenia

- ▶ Ten symbol informuje o konieczności wykonania jakiejś czynności. Wymagane czynności opisane są krok po kroku.

### 1.3 Jednostki miar



#### Wskazówka

Jeśli nie określono innych jednostek, wymiary podane są w milimetrach.

## 2. Bezpieczeństwo

### 2.1 Użytkowanie zgodne z przeznaczeniem

Urządzenie przeznaczone jest do użytku w budownictwie mieszkaniowym. Może być bezpiecznie użytkowane przez nieprzeszkolone osoby. Urządzenie może być użytkowane również poza budownictwem mieszkaniowym, np. w budynkach gospodarczych i przemysłowych, pod warunkiem użytkowania zgodnego z przeznaczeniem.

Urządzenie służy do podgrzewania wody użytkowej lub wstępnie podgrzanej. Urządzenie jest przeznaczone wyłącznie do umywalki.

Inne lub wykraczające poza obowiązujące ustalenia użytkowanie traktowane jest jako niezgodne z przeznaczeniem. Do użytkowania zgodnego z przeznaczeniem należy również przestrzeganie niniejszej instrukcji obsługi oraz instrukcji obsługi użytego osprzętu.

### 2.2 Ogólne wskazówki dotyczące bezpieczeństwa



#### ZAGROŻENIE poparzeniem

Temperatura armatury może osiągnąć do 55 °C. W przypadku temperatur wyższych niż 43 °C istnieje niebezpieczeństwo poparzenia.



#### OSTRZEŻENIE - obrażenia ciała

Urządzenie może być obsługiwane przez dzieci, które ukończyły 3 lat, oraz przez osoby o zmniejszonych zdolnościach fizycznych, sensorycznych lub umysłowych lub osoby nieposiadające odpowiedniego doświadczenia względnie wiedzy, jeżeli są one pod nadzorem lub zostały przeszkolone w zakresie bezpiecznej obsługi urządzenia oraz zrozumiały wynikające stąd niebezpieczeństwa. Urządzenie nie może być używane przez dzieci do zabawy. Czyszczenia oraz konserwacji ze strony użytkownika nie wolno powierzać dzieciom bez nadzoru.



#### ZAGROŻENIE porażenia prądem elektrycznym

Uszkodzony elektryczny przewód przyłączeniowy może zostać wymieniony tylko przez wyspecjalizowanego instalatora. Dzięki temu można uniknąć ewentualnych zagrożeń.



#### Szkody materialne

Chronić urządzenie i armaturę przed mrozem.

**Szkody materialne**

Stosować wyłącznie dołączony specjalny regulator strumienia. Zapobiegać osadzeniu się kamienia na wylotach armatury (patrz rozdział „Czyszczenie, pielęgnacja i konserwacja”).

**2.3 Znak kontroli**

Patrz tabliczka znamionowa na urządzeniu.

**3. Opis urządzenia**

Elektronicznie regulowany mini przepływowy ogrzewacz wody utrzymuje stałą temperaturę na wylocie niezależnie od temperatury na wlocie aż do granicy mocy.

Urządzenie zostało fabrycznie nastawione na temperaturę na wyjściu konieczną do mycia rąk. W momencie osiągnięcia tej temperatury elektronika automatycznie redukuje moc urządzenia. Moc jest dopasowywana do żądanej temperatury, dlatego temperatura nie jest przekraczana.

Urządzenie podgrzewa wodę bezpośrednio w punkcie poboru po otwarciu armatury. Dzięki krótkiej instalacji powstają niewielkie straty energii i wody.

Wydajność ciepłej wody urządzenia zależy od temperatury zimnej wody, mocy grzewczej oraz przepływu.

System grzewczy z odkrytą grzałką jest przeznaczony do wody o niskiej i wysokiej zawartości wapnia. System grzewczy jest w dużym stopniu odporny na powstawanie osadów wapiennych. System grzewczy zapewnia szybkie i wydajne przygotowanie ciepłej wody w umywalce.

Wyspecjalizowany instalator może dokonać nastaw wartości maksymalnych temperatury i przepływu (patrz rozdział „U uruchomienie / Nastawy”).

Dzięki zamontowaniu dołączonego, specjalnego regulatora strumienia można uzyskać optymalny strumień wody.

**4. Nastawy**

Po otwarciu zaworu ciepłej wody na armaturze lub uruchomieniu czujnika armatury czujnikowej system grzewczy urządzenia załącza się automatycznie. Woda jest podgrzewana. Temperaturę wody można zmieniać za pomocą armatury:

Ilości włączeniowe i ograniczenie przepływu patrz rozdział „Dane techniczne”.

**Podwyższenie temperatury**

- ▶ Zdławić przepływ wody za pomocą armatury.

**Obniżenie temperatury**

- ▶ Odkręcić mocniej armaturę lub domieszać więcej zimnej wody.

**Po przerwie w zaopatrzeniu w wodę**

Patrz rozdział „Uruchomienie / Ponowne uruchomienie”.

**5. Czyszczenie i konserwacja**

- ▶ Nie wolno używać szorujących, ani rozpuszczających środków czyszczących. Do konserwacji i czyszczenia urządzenia wystarczy wilgotna ściereczka.
- ▶ Należy regularnie sprawdzać stan armatur. Osad z wylotu armatur należy usuwać przy użyciu dostępnych w handlu środków do odkamieniania.
- ▶ W regularnych odstępach czasu zlecać wyspecjalizowanemu instalatorowi kontrolę bezpieczeństwa elektrycznego urządzenia.
- ▶ Należy regularnie odpowiać lub wymieniać specjalny regulator strumienia w armaturze (patrz rozdział „Opis urządzenia / Osprzęt”).

**6. Usuwanie problemów**

Problem	Przyczyna	Usuwanie
Urządzenie nie włącza się, mimo całkowicie otwartej armatury.	Do urządzenia nie jest doprowadzone napięcie.	Sprawdzić bezpiecznik w instalacji domowej.
	Regulator strumienia w armaturze jest pokryty kamieniem lub zabrudzony.	Oczyścić i/lub odpowiać regulator strumienia lub wymienić specjalny regulator strumienia.
	Przerwa w zaopatrzeniu w wodę.	Odpowietrzyć urządzenie i zasilanie zimnej wody (patrz rozdział „Nastawy”).
Żądana temperatura nie jest osiągnięta.	W urządzeniu została nastawiona zbyt niska temperatura maksymalna.	Należy zlecić nastawienie temperatury maksymalnej wyspecjalizowanemu instalatorowi.
	Urządzenie osiągnęło maksymalną moc.	Zmniejszyć przepływ.

Jeśli nie można usunąć przyczyny usterki, należy wezwać wyspecjalizowanego instalatora. W celu usprawnienia i przyspieszenia pomocy należy podać numer z tabliczki znamionowej (000000-0000-00000).

●
●

Model:  Nr E:

Nr F:

# INSTALACJA

## 7. Bezpieczeństwo

Instalacja, uruchomienie, jak również konserwacja i naprawa urządzenia mogą być wykonane wyłącznie przez wyspecjalizowanego instalatora.

### 7.1 Ogólne wskazówki dotyczące bezpieczeństwa

Producent zapewnia prawidłowe działanie i bezpieczeństwo eksploatacji tylko w przypadku stosowania oryginalnego osprzętu, przeznaczonego do tego urządzenia, oraz oryginalnych części zamiennych.



#### Szkody materialne

Przestrzegać maks. dopuszczalnej temperatury na zasilaniu. Przy wyższych temperaturach może nastąpić uszkodzenie urządzenia. Za pomocą centralnej armatury termostatycznej można ograniczyć temperaturę wody na zasilaniu.



**OSTRZEŻENIE - porażenie prądem elektrycznym**  
Urządzenie zawiera kondensatory, które rozładowują się po odłączeniu od sieci elektrycznej. Napięcie rozładowania kondensatora może wynosić chwilowo > 34 V DC.

## 7.2 Przepisy, normy i wymagania



#### Wskazówka

Należy przestrzegać krajowych i lokalnych przepisów oraz wymogów.

Właściwa oporność elektryczna wody nie może być mniejsza niż podana na tabliczce znamionowej. W przypadku sieci wodociągowej należy uwzględnić najniższą oporność elektryczną wody (patrz rozdział „Dane techniczne / Tabela danych”). Informacje o właściwej oporności elektrycznej lub elektrycznej przewodności wody można uzyskać w miejscowym zakładzie wodociągów.

## 8. Opis urządzenia

### 8.1 Zakres dostawy

Z urządzeniem dostarczane są:

- sitko w zasilaniu zimnej wody
- specjalny regulator strumienia
- wąż przyłączeniowy 3/8, dł. 500 mm, z uszczelkami\*
- trójnik 3/8\*
- logo firmy przy montażu urządzenia powyżej punktu poboru

\* do podłączenia jako urządzenie ciśnieniowe

# INSTALACJA

## Przygotowania

### 8.2 Osprzęt

#### Specjalny regulator strumienia



#### Wskazówka

Dzięki zamontowaniu specjalnego regulatora strumienia w armaturze można uzyskać optymalny strumień wody.

#### Armatury

► Należy stosować odpowiednie armatury.

#### Armatury beziśnieniowe

- MAW (OT) Armatura ścienna do montażu powyżej punktu poboru
- MAZ (UT) Armatura umywalki dwuuchwytowa
- MAE (UTE) Armatura umywalki jednouchwytowa

#### Armatury ciśnieniowe

Odpowiednie armatury ciśnieniowe można zakupić w specjalistycznych sklepach.

## 9. Przygotowania

► Przeplukać dokładnie instalację wodną.

#### Instalacja wodna

Zawór bezpieczeństwa nie jest potrzebny.

## 10. Montaż

### 10.1 Miejsce montażu

Urządzenie należy zamontować w pomieszczeniu zabezpieczonym przed mrozem, w pobliżu armatury czerpalnej.

Zwrócić uwagę na dostępność bocznych wkrętów mocujących pokrywę.

Urządzenie przeznaczone jest do montażu poniżej punktu poboru wody (przyłącza wody na górze) i powyżej punktu poboru wody (przyłącza wody na dole).



**ZAGROŻENIE** porażenia prądem elektrycznym  
Śruba regulacyjna do regulacji strumienia przepływu jest pod napięciem. Stopień ochrony IP25 jest zapewniony tylko przy zamontowanej ściance tylnej urządzenia.

► Zawsze montować ściankę tylną urządzenia.



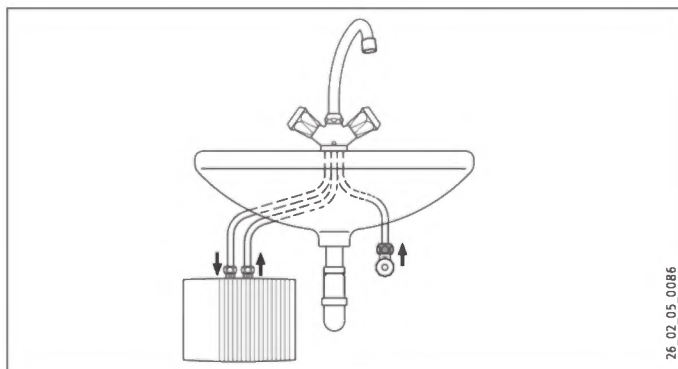
# INSTALACJA

## Montaż

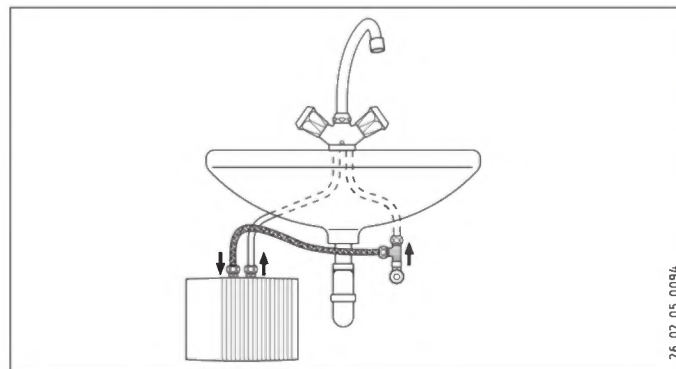
### 10.2 Inne sposoby montażu

#### 10.2.1 Montaż poniżej punktu poboru wody

##### Z armaturą bezciśnieniową



##### Z armaturą ciśnieniową



POLSKI

# INSTALACJA

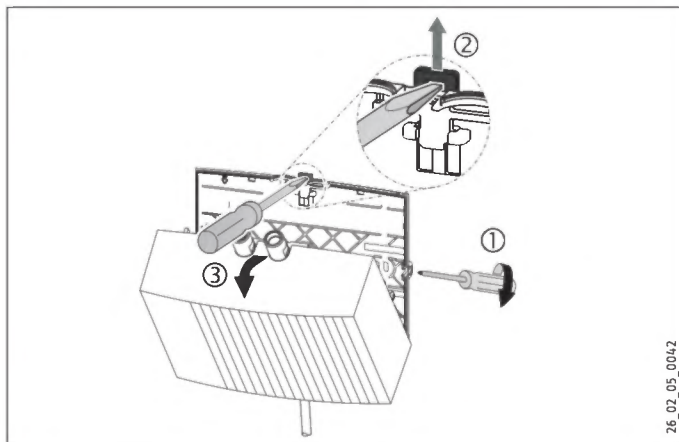
## Montaż

### Montaż urządzenia



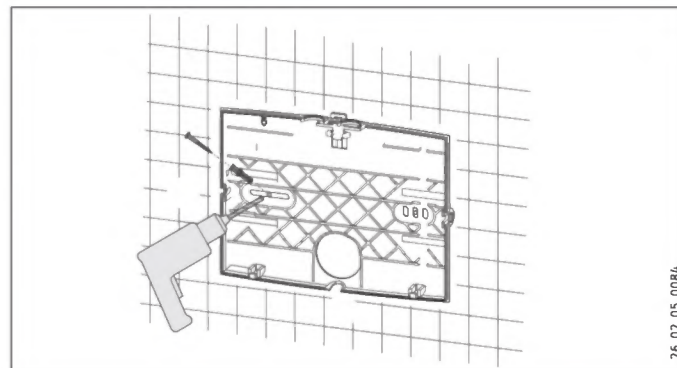
#### Wskazówka

- ▶ Zamontować urządzenie na ścianie. Ściana musi posiadać odpowiednią nośność.



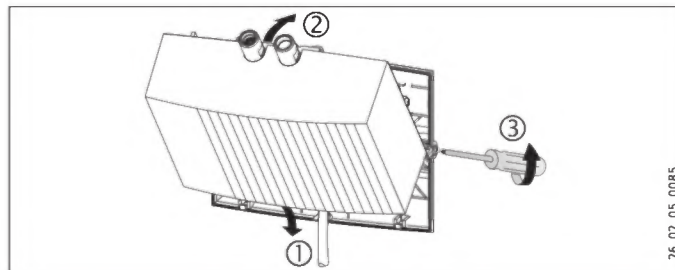
26\_02\_05\_0042

- ▶ Wkręty mocujące osłonę odkręcić o dwa obroty.
- ▶ Odblokować zamknięcie zapadkowe za pomocą śrubokręta.
- ▶ Zdjąć do przodu pokrywę urządzenia z systemem grzejnym.
- ▶ Wyłamać przy użyciu szczypiec otwór przepustowy na elektryczny przewód przyłączeniowy w pokrywie urządzenia. Ewentualne nierówności usunąć pilnikiem.



26\_02\_05\_0084

- ▶ Tylną ściankę urządzenia użyć jako szablonu do nawiercania otworów.
- ▶ Zamocować ściankę tylną urządzenia odpowiednimi kołkami rozporowymi i wkrętami na ścianie.



26\_02\_05\_0085

## INSTALACJA

### Montaż

- ▶ Przełożyć elektryczny przewód przyłączeniowy przez otwór przepustowy tylnej ścianki.
- ▶ Zaczepić pokrywę urządzenia z systemem grzejnym na dole.
- ▶ Zablokować system grzejny w zamknięciu zapadkowym.
- ▶ Zamocować pokrywę urządzenia wkrętami mocującymi pokrywę.

#### Montaż armatury

- ▶ Zamontować armaturę. Należy przestrzegać przy tym instrukcji obsługi i instalacji armatury.



#### Szkody materialne

- ▶ Podczas montażu wszystkich przyłączy należy kontrolować króćce przyłączeniowe urządzenia za pomocą klucza o rozmiarze 14.

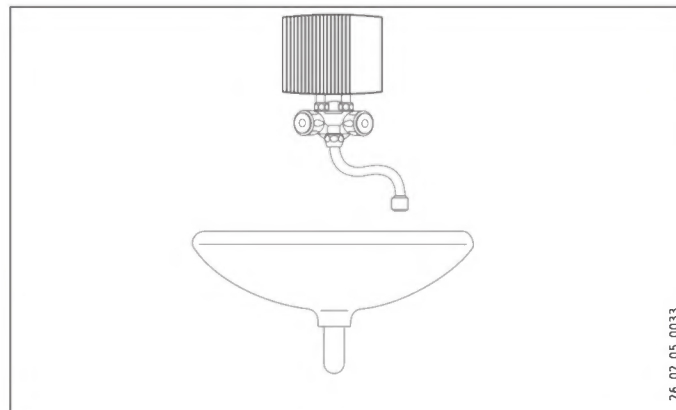
#### Armatura ciśnieniowa



#### Wskazówka

- ▶ Zamontować dołączony wąż przyłączeniowy 3/8 oraz trójnik 3/8.

#### 10.2.2 Montaż powyżej punktu poboru wody, bezcisnieniowy, z armaturą bezcisnieniową



26.02.05\_0033

#### Montaż armatury

- ▶ Zamontować armaturę. Należy przestrzegać przy tym instrukcji obsługi i instalacji armatury.



#### Szkody materialne

- ▶ Podczas montażu wszystkich przyłączy należy kontrolować króćce przyłączeniowe urządzenia kluczem o rozmiarze 14 w urządzeniu, patrz rozdział „Inne sposoby montażu / Montaż poniżej punktu poboru wody”.

# INSTALACJA

## Montaż

### Montaż urządzenia

- ▶ Zamontować urządzenie razem z przyłączami wody na armaturze.

### 10.3 Wykonanie przyłącza elektrycznego



**ZAGROŻENIE** porażenia prądem elektrycznym  
Wszystkie elektryczne prace przyłączeniowe i instalacyjne należy wykonywać zgodnie z przepisami.



**ZAGROŻENIE** porażenia prądem elektrycznym  
Zwrócić uwagę, aby urządzenie zostało podłączone do przewodu ochronnego.  
Urządzenie musi mieć możliwość odłączania od sieci elektrycznej za pomocą wielobiegunowego wyłącznika z rozwarciem styków wynoszącym min. 3 mm.



**ZAGROŻENIE** porażenia prądem elektrycznym  
Urządzenia w momencie dostawy są wyposażone w elektryczny przewód przyłączeniowy (EIL 3 Premium z wtyczką).

Urządzenie można podłączyć do poprowadzonego na stałe przewodu elektrycznego, jeśli jego pole przekroju jest przynajmniej równe polu przekroju seryjnego przewodu przyłączeniowego urządzenia. Maksymalne pole przekroju przewodu może wynosić 3 x 6 mm<sup>2</sup>.

- ▶ W przypadku montażu urządzenia powyżej punktu poboru wody elektryczne przewody przyłączeniowe muszą być poprowadzone za urządzeniem.



#### Szkody materialne

Przy podłączaniu do gniazda wtykowego z zestykiem ochronnym (dotyczy elektrycznego przewodu przyłączeniowego z wtyczką) należy zwrócić uwagę, aby po instalacji urządzenia do gniazda wtykowego był swobodny dostęp.



#### Szkody materialne

Zwrócić uwagę na treść tabliczki znamionowej. Podane napięcie musi być zgodne z napięciem sieciowym.

- ▶ Podłączyć elektryczny przewód przyłączeniowy według schematu połączeń elektrycznych (patrz rozdział „Dane techniczne / Schemat połączeń elektrycznych”).

### 11. Uruchomienie

#### 11.1 Pierwsze uruchomienie



- ▶ Napełnić urządzenie, pobierając kilkakrotnie wodę z armatury, aby usunąć powietrze z instalacji i urządzenia.
- ▶ Przeprowadzić kontrolę szczelności.
- ▶ Podłączyć wtyczkę elektrycznego przewodu przyłączeniowego (jeśli jest) do gniazda wtykowego z zestykiem ochronnym lub załączyć bezpiecznik.
- ▶ Sprawdzić prawidłowość pracy urządzenia.
- ▶ W przypadku montażu powyżej punktu poboru należy zakleić logo firmy nalepką dołączoną do zestawu, we właściwej pozycji.

#### 11.2 Przekazanie urządzenia

- ▶ Objaśnić użytkownikowi sposób działania urządzenia i zapoznać go ze sposobem użytkowania.
- ▶ Poinformować użytkownika o potencjalnych zagrożeniach, zwłaszcza o niebezpieczeństwie poparzenia.
- ▶ Przekazać niniejszą instrukcję.

#### 11.3 Ponowne uruchomienie



##### Szkody materialne

Po przerwie w zasilaniu wodą należy ponownie uruchomić urządzenie, wykonując poniższe czynności, aby nie uszkodzić systemu grzewczego z odkrytą grzałką.

- ▶ Odłączyć urządzenie od zasilania. W tym celu odłączyć wtyczkę elektrycznego przewodu przyłączeniowego (jeśli jest) lub wyłączyć bezpiecznik.
- ▶ Patrz rozdział „Pierwsze uruchomienie”.

#### 11.4 Nastawy

Możliwa jest zmiana wartości maksymalnych przepływu i temperatury.



**ZAGROŻENIE porażenia prądem elektrycznym**  
Zmiana przepływu i nastawianie temperatury są dopuszczalne wyłącznie po odłączeniu urządzenia od sieci elektrycznej.

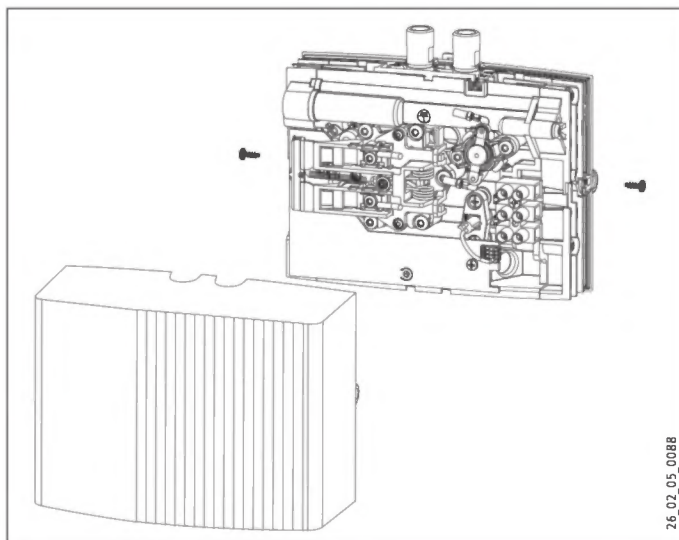
- ▶ Odłączyć urządzenie na wszystkich biegunach od przyłącza sieciowego.

# INSTALACJA

## Uruchomienie



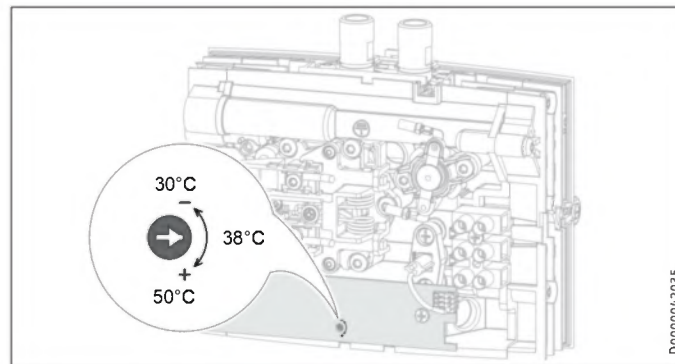
**ZAGROŻENIE** porażenia prądem elektrycznym  
Śruba regulacyjna do zmiany przepływu i potencjometr do nastawiania temperatury będą pod napięciem, jeśli urządzenie nie zostanie odłączone od sieci elektrycznej.



► Zdjąć pokrywę urządzenia.

### Nastawianie temperatury maksymalnej

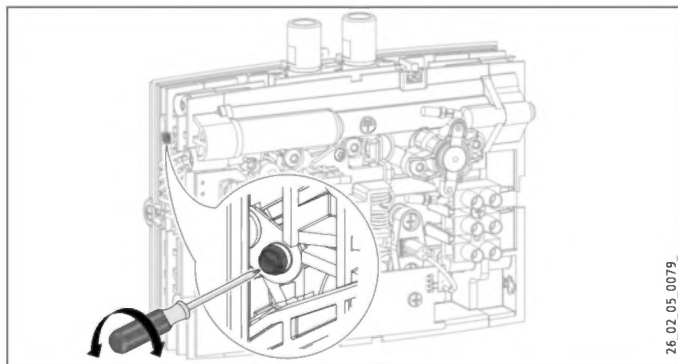
Nastawa fabryczna: 38 °C



- Nastawić żadaną temperaturę maksymalną na potencjometrze przy użyciu wkrętaka.
- Zamontować osłonę urządzenia.

### Ograniczenie przepływu

Nastawa fabryczna: Maksymalny przepływ



- ▶ Za pomocą śruby regulacyjnej nastawić żądany przepływ.
- Najmniejszy przepływ = wkręcić śrubę do oporu.
- Największy przepływ = wykręcić śrubę do oporu.
- ▶ Zamontować osłonę urządzenia.

### 12. Wyłączenie z eksploatacji

- ▶ Urządzenie odłączyć od napięcia sieciowego za pomocą bezpiecznika w sieci instalacji domowej lub wyciągnąć wtyczkę elektrycznego przewodu przyłączeniowego.
- ▶ Opróżnić urządzenie z wody (patrz rozdział „Konserwacja”).

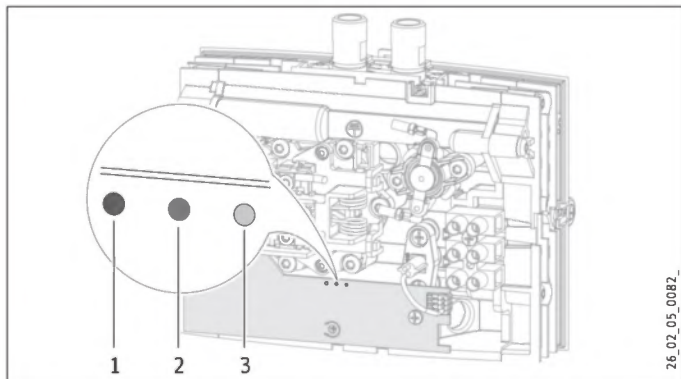
### 13. Usuwanie usterek

Problem	Przyczyna	Usuwanie
Urządzenie nie włącza się, mimo całkowicie otwartej armatury.	Regulator strumienia w armaturze jest pokryty kamieniem lub zabrudzony.	Oczyścić i/lub odwapnić regulator strumienia lub wymienić specjalny regulator strumienia.
	Przepływ jest za słaby.	Zwiększyć przepływ.
	Sitko w przewodzie zimnej wody jest zatkane.	Wyczyścić sitko po zamknięciu zaworu odcinającego.
	System grzejny jest uszkodzony.	Zmierzyć rezystancję systemu grzejnego, ew. wymienić urządzenie.
	Ogranicznik ciśnienia bezpieczeństwa spowodował wyłączenie.	Usunąć przyczynę usterek. Odłączyć urządzenie do sieci elektrycznej i odciążyć rurkę wody. Aktywować ogranicznik ciśnienia bezpieczeństwa.
Żądana temperatura nie jest osiągnięta.	Urządzenie osiągnęło maksymalną moc.	Zmniejszyć przepływ.

# INSTALACJA

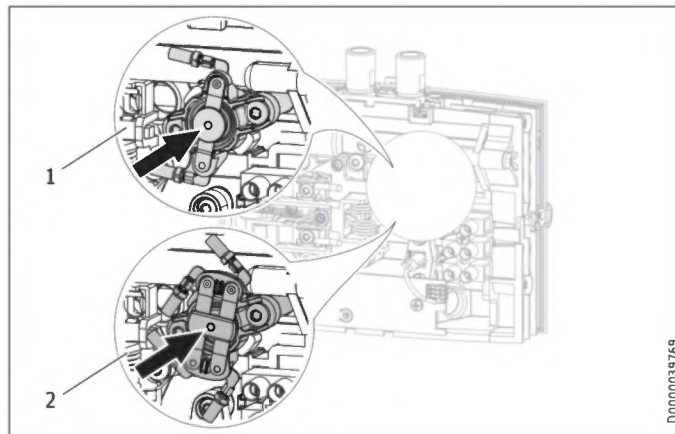
## Usuwanie usterek

### Wyświetlacz diodowy LED



- 1 Kolor czerwony w przypadku zakłócenia
- 2 Kolor żółty w przypadku trybu ogrzewania
- 3 Kolor zielony migający w przypadku zasilania napięciem elektronicznym

### Aktywacja ogranicznika ciśnienia bezpieczeństwa



- 1 1-stykowy ogranicznik ciśnienia bezpieczeństwa EIL 4 Premium / EIL 6 Premium
- 2 2-stykowy ogranicznik ciśnienia bezpieczeństwa EIL 3 Premium / EIL 7 Premium



### 14. Konserwacja



**ZAGROŻENIE** porażenia prądem elektrycznym  
Przed przystąpieniem do wszelkich prac należy odłączyć urządzenie na wszystkich biegunach od sieci.

#### 14.1 Opróżnianie urządzenia z wody



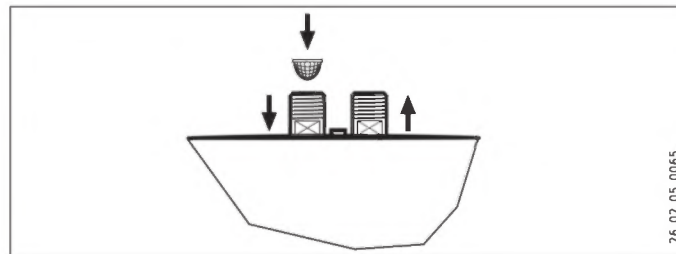
**ZAGROŻENIE** poparzeniem  
Podczas opróżniania z urządzenia może wypłynąć gorąca woda.

Jeśli konieczne jest opróżnienie urządzenia przed przystąpieniem do prac konserwacyjnych lub w razie wystąpienia ryzyka zamarznięcia całej instalacji, należy postępować w następujący sposób:

- ▶ Zamknąć zawór odcinający w instalacji zasilania zimnej wody.
- ▶ Otworzyć zawór poboru wody.
- ▶ Odkręcić przyłącza wody od urządzenia.

#### 14.2 Czyszczenie sitka

Zamontowane sitko można oczyścić po demontażu rurki przyłączeniowej zimnej wody.



#### 14.3 Kontrole wg VDE 0701/0702

##### Kontrola przewodu ochronnego

- ▶ Skontrolować przewód ochronny (w Niemczech np. zgodnie z DGUV A3) na styku przewodu ochronnego elektrycznego przewodu przyłączeniowego oraz na króćcu przyłączeniowym urządzenia.

### Oporność izolacji

Z uwagi na elektroniczne sterowanie tego urządzenia pomiar oporu izolacji zgodnie z VDE 0701/0702 nie jest możliwy do przeprowadzenia.

- ▶ W celu kontroli skuteczności właściwości izolacyjnych tego urządzenia zalecamy przeprowadzenie pomiaru prądu różnicowego prądu przewodu ochronnego / prądu upływowego wg VDE 0701/0702 (rys. C.3b).

### 14.4 Przechowywanie urządzenia

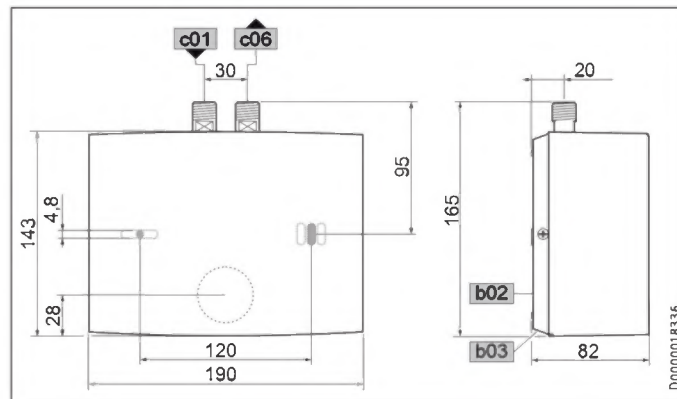
- ▶ Zdemontowane urządzenie przechowywać w miejscu zabezpieczonym przed mrozem, ponieważ resztki wody pozostałe w urządzeniu mogą doprowadzić do jego zamarznięcia i uszkodzenia.

### 14.5 Wymiana elektrycznego przewodu przyłączeniowego w EIL 6 Premium

- ▶ W razie wymiany w urządzeniu EIL 6 Premium należy zastosować elektryczny przewód przyłączeniowy o przekroju 4 mm<sup>2</sup>.

## 15. Dane techniczne

### 15.1 Wymiary i przyłącza



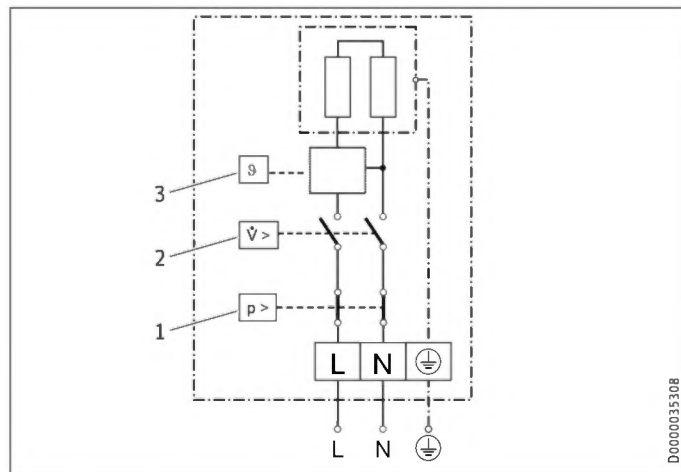
b02	Przepust na przewody elektr. I		
b03	Przepust na przewody elektr. II		
c01	Zimna woda, zasilanie	Gwint zewnętrzny	G 3/8 A
c06	Ciepła woda, wyjście	Gwint zewnętrzny	G 3/8 A

# INSTALACJA

## Dane techniczne

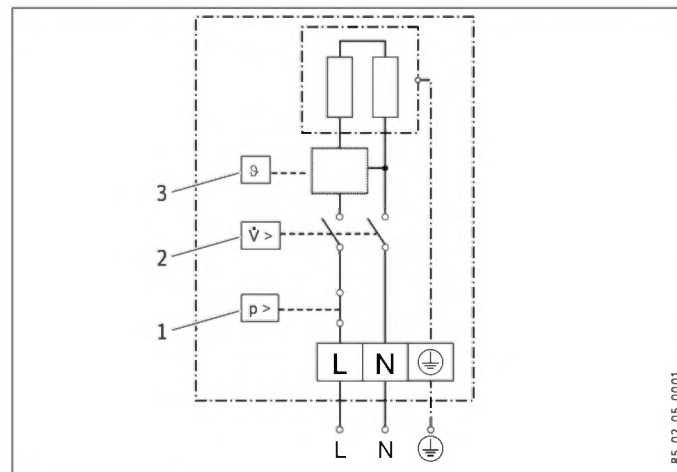
### 15.2 Schemat połączeń elektrycznych

#### 15.2.1 EIL 3 Premium 1/N/PE ~ 200-240 V



- 1 Ogranicznik ciśnienia bezpieczeństwa
- 2 Różnicowy przełącznik ciśnieniowy
- 3 Elektronika z czujnikiem temperatury na wyjściu

#### 15.2.2 EIL 4 Premium i EIL 6 Premium 1/N/PE ~ 200-240 V



- 1 Ogranicznik ciśnienia bezpieczeństwa
- 2 Różnicowy przełącznik ciśnieniowy
- 3 Elektronika z czujnikiem temperatury na wyjściu



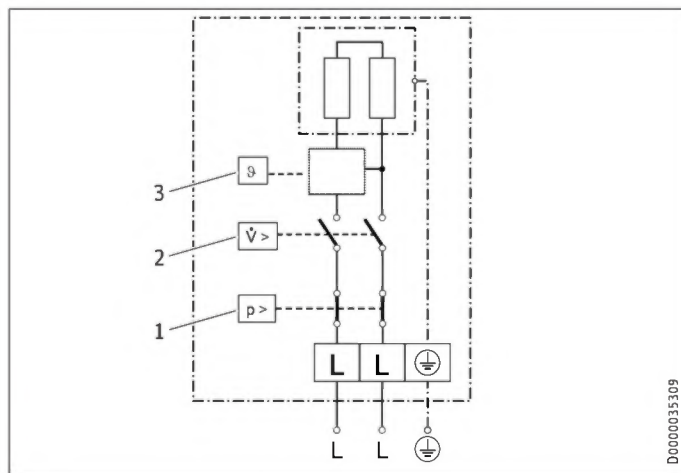
#### Szkody materialne

- ▶ W przypadku podłączenia na stałe elektryczny przewód przyłączeniowy należy podłączyć do zacisku tulejkowego zgodnie z oznaczeniem zacisków.

# INSTALACJA

## Dane techniczne

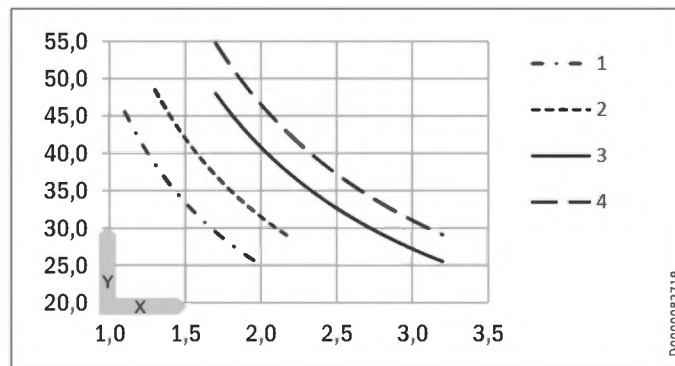
### 15.2.3 EIL 7 Premium 2/PE ~ 380-400 V



- 1 Ogranicznik ciśnienia bezpieczeństwa
- 2 Różnicowy przełącznik ciśnieniowy
- 3 Elektronika z czujnikiem temperatury na wyjściu

### 15.3 Podwyższenie temperatury

Przy napięciu 230 V / 400 V uzyskuje się następujące podwyższenia temperatury wody:



X Przepływ w l/min  
Y Podwyższenie temperatury w K

- 1 3,5 kW - 230 V
- 2 4,4 kW - 230 V
- 3 5,7 kW - 230 V
- 4 6,5 kW - 400 V

#### Przykład EIL 3 Premium z 3,5 kW

Przepływ	l/min	2,0
Podwyższenie temperatury	K	25
Temperatura zasilania zimnej wody	°C	12
Maksymalna możliwa temperatura na wyjściu	°C	37

# INSTALACJA

## Dane techniczne

### 15.4 Zakresy stosowania

**Oporność elektryczna właściwa i przewodność elektryczna właściwa, patrz „Tabela danych”.**

Wartość znamionowa przy 15 °C			20 °C			25 °C		
Oporność $\rho \geq$	Opór Przewodność $\sigma \leq$	$\mu\text{S/cm}$	Oporność $\rho \geq$	Opór Przewodność $\sigma \leq$	$\mu\text{S/cm}$	Oporność $\rho \geq$	Opór Przewodność $\sigma \leq$	$\mu\text{S/cm}$
$\Omega\text{cm}$	$\text{mS/m}$	$\mu\text{S/cm}$	$\Omega\text{cm}$	$\text{mS/m}$	$\mu\text{S/cm}$	$\Omega\text{cm}$	$\text{mS/m}$	$\mu\text{S/cm}$
1000	100	1000	890	112	1124	815	123	1227
1300	77	769	1175	85	851	1072	93	933

### 15.5 Dane dotyczące zużycia energii

Karta danych produktu: Konwencjonalny podgrzewacz ciepłej wody użytkowej zgodnie z rozporządzeniem (UE) nr 812/2013 | 814/2013

		EIL 3 Premium	EIL 4 Premium	EIL 6 Premium	EIL 7 Premium
		200134	200135	200136	200137
Producent		STIEBEL ELTRON	STIEBEL ELTRON	STIEBEL ELTRON	STIEBEL ELTRON
Profil obciążenia		XXS	XXS	XXS	XS
Klasa efektywności energetycznej		A	A	A	A
Sprawność energetyczna	%	39	38	39	40
Roczne zużycie prądu	kWh	478	478	478	467
Fabryczne ustawienie temperatury	°C	38	38	38	38
Poziom mocy akustycznej	dB(A)	15	15	15	15
Szczególne uwagi dotyczące pomiaru efektywności		Brak	Brak	Brak	Brak
Dzienne zużycie prądu	kWh	2,200	2,200	2,200	2,130

# INSTALACJA

## Dane techniczne

### 15.6 Tabela danych

	EIL 3 Premium				EIL 4 Premium				EIL 6 Premium				EIL 7 Premium		
	200134				200135				200136				200137		
<b>Dane elektryczne</b>															
Napięcie znamionowe	V	200	220	230	240	200	220	230	240	200	220	230	240	380	400
Moc znamionowa	kW	2,7	3,2	3,53	3,8	3,3	4,0	4,4	4,8	4,3	5,2	5,7	6,2	5,9	6,5
Prąd znamionowy	A	13,3	14,5	15,2	15,8	16,7	18,2	19,1	20,0	21,6	23,6	24,7	25,8	15,5	16,3
Zabezpieczenie	A	16				20				25	25	25	32	16	20
Częstotliwość	Hz	50/60				50/60				50/60				50/-	50/-
Fazy		1/N/PE				1/N/PE				1/N/PE				2/PE	2/PE
Oporność właściwa $\rho_{15} \geq$ (przy $\vartheta_{zimna} \leq 25^\circ\text{C}$ )	$\Omega \text{ cm}$	1000				1000				1000				1000	1000
Przewodność właściwa $\sigma_{15} \leq$ (przy $\vartheta_{zimna} \leq 25^\circ\text{C}$ )	$\mu\text{S/cm}$	1000				1000				1000				1000	1000
Oporność właściwa $\rho_{15} \geq$ (przy $\vartheta_{zimna} > 25^\circ\text{C}$ )	$\Omega \text{ cm}$	1300				1300				1300				1300	1300
Przewodność właściwa $\sigma_{15} \leq$ (przy $\vartheta_{zimna} > 25^\circ\text{C}$ )	$\mu\text{S/cm}$	770				770				770				770	770
Maks. impedancja sieci przy 50 Hz	$\Omega$	0,083	0,079	0,076		0,065	0,063	0,06		0,049	0,047	0,045		0,236	0,225
<b>Przyłącza</b>															
Przyłącze wody		G 3/8 A				G 3/8 A				G 3/8 A				G 3/8 A	G 3/8 A
<b>Granice stosowania</b>															
Maks. dopuszczalne ciśnienie	MPa	1				1				1				1	1
Maks. temp. podgrzanej wody na zasilaniu	$^\circ\text{C}$	50				50				50				50	50
<b>Parametry</b>															
Maks. dopuszczalna temperatura wody na zasilaniu	$^\circ\text{C}$	55				55				55				55	55
Zakres nastawiania temperatury ciepłej wody	$^\circ\text{C}$	30-50				30-50				30-50				30-50	30-50
Włączone	l/min	>1,5				>1,8				>2,2				>2,2	>2,2
Spadek ciśnienia przy przepływie	MPa	0,05				0,06				0,07				0,07	0,07
Przepływ przy spadku ciśnienia	l/min	1,5				1,8				2,2				2,2	2,2
Ograniczenie przepływu przy	l/min	2,0				2,2				3,2				3,2	3,2
Wydajność CWU	l/min	2,0				2,2				3,2				3,2	3,7
$\Delta\vartheta$ przy wydajności	K	25				25				25				25	25

# INSTALACJA

## Dane techniczne

		EIL 3 Premium	EIL 4 Premium	EIL 6 Premium	EIL 7 Premium
<b>Dane hydrauliczne</b>					
Pojemność znamionowa	l	0,1	0,1	0,1	0,1
<b>Wykonania</b>					
Montaż powyżej punktu poboru		X	X	X	X
Montaż poniżej punktu poboru		X	X	X	X
Konstrukcja bezciśnieniowa		X	X	X	X
Konstrukcja ciśnieniowa		X	X	X	X
Klasa ochrony		1	1	1	1
Blok izolacyjny		Tworzywo sztuczne	Tworzywo sztuczne	Tworzywo sztuczne	Tworzywo sztuczne
Wytwornica ciepła systemu grzejnego		Z odkrytą grzałką	Z odkrytą grzałką	Z odkrytą grzałką	Z odkrytą grzałką
Pokrywa i ścianka tylna		Tworzywo sztuczne	Tworzywo sztuczne	Tworzywo sztuczne	Tworzywo sztuczne
Kolor		Biały	Biały	Biały	Biały
Stopień ochrony (IP)		IP25	IP25	IP25	IP25
<b>Wymiary</b>					
Wysokość	mm	143	143	143	143
Szerokość	mm	190	190	190	190
Głębokość	mm	82	82	82	82
Długość przewodu przyłączeniowego	mm	700	700	700	700
<b>Masy</b>					
Masa	kg	1,5	1,5	1,5	1,5



### Wskazówka

Urządzenie jest zgodne z IEC 61000-3-12.

## Gwarancja

Urządzeń zakupionych poza granicami Niemiec nie obejmują warunki gwarancji naszych niemieckich spółek. Ponadto w krajach, w których jedna z naszych spółek córek jest dystrybutorem naszych produktów, gwarancji może udzielić wyłącznie ta spółka. Taka gwarancja obowiązuje tylko wówczas, gdy spółka-córka sformułowała własne warunki gwarancji. W innych przypadkach gwarancja nie jest udzielana.

Nie udzielamy gwarancji na urządzenia zakupione w krajach, w których żadna z naszych spółek córek nie jest dystrybutorem naszych produktów. Ewentualne gwarancje udzielone przez importera zachowują ważność.

## Ochrona środowiska i recycling

Pomóż chronić środowisko naturalne. Materiały po wykorzystaniu należy utylizować zgodnie z krajowymi przepisami.



## INDICAȚII SPECIALE

### OPERARE

<b>1. Instrucțiuni generale</b>	<b>155</b>
1.1 Indicații de siguranță	155
1.2 Alte marcaje în această documentație	156
1.3 Unități de măsură	156
<b>2. Siguranța</b>	<b>157</b>
2.1 Utilizarea conformă cu destinația	157
2.2 Indicații generale de siguranță	157
2.3 Marcaj de verificare	157
<b>3. Descrierea instalației</b>	<b>158</b>
<b>4. Setările</b>	<b>158</b>
<b>5. Curățarea, îngrijirea și întreținerea</b>	<b>159</b>
<b>6. Remedierea problemelor</b>	<b>159</b>

### INSTALARE

<b>7. Siguranța</b>	<b>160</b>
7.1 Indicații generale de siguranță	160
7.2 Prevederi, norme și reglementări	160
<b>8. Descrierea instalației</b>	<b>160</b>
8.1 Conținutul livrării	160
8.2 Accesorii	161
<b>9. Pregătiri</b>	<b>161</b>
<b>10. Montaj</b>	<b>161</b>
10.1 Loc montaj	161
10.2 Alternative de montaj	162

10.3 Realizare conexiuni electrice	165
<b>11. Punerea în funcțiune</b>	<b>165</b>
11.1 Prima punere în funcțiune	165
11.2 Predarea aparatului	166
11.3 Repunerea în funcțiune	166
11.4 Setările	166
<b>12. Oprirea aparatului</b>	<b>168</b>
<b>13. Remedierea perturbațiilor</b>	<b>168</b>
<b>14. Întreținerea</b>	<b>170</b>
14.1 Golirea aparatului	170
14.2 Curățarea sita	170
14.3 Verificări conform VDE 0701/0702	170
14.4 Depozitarea aparatului	171
14.5 Înlocuirea conductorului electric de conectare la EIL 6 Premium	171
<b>15. Date tehnice</b>	<b>171</b>
15.1 Dimensiuni și racorduri	171
15.2 Schemă de conexiune electrică	172
15.3 Creșterea temperaturii	173
15.4 Domenii de utilizare	174
15.5 Informații privind consumul de energie	174
15.6 Tabel de date	175

### GARANȚIE

### MEDIUL ÎNCONJURĂTOR ȘI RECICLAREA

# INDICAȚII SPECIALE

- Aparatul poate fi utilizat atât de copii peste 3 ani, cât și de persoane cu capacități corporale, senzoriale sau mentale reduse sau cu deficiențe privind experiența și cunoștințele, dacă sunt supravegheate sau au fost instruite referitor la utilizarea sigură a aparatului și la pericolele care rezultă astfel. Copiii nu au voie să se joace cu aparatul. Curățarea și întreținerea realizate de utilizator nu pot fi executate de copii fără supraveghere.
- Armătura poate atinge o temperatură de până la 55 °C. În cazul temperaturilor de ieșire mai mari de 43 °C există pericolul de opărire.
- Aparatul trebuie deconectat de la rețeaua de curent de la toți polii pe o distanță minimă de 3 mm.
- Tensiunea indicată trebuie să corespundă tensiunii de rețea.
- Aparatul trebuie conectat permanent la un cablaj fix, excepție EIL 3 Premium.
- Înlocuirea cablului electric de racordare la rețea în caz de deteriorare este permis să fie efectuată numai de către un electrician autorizat de către producător cu o piesă de schimb originală.
- Fixați aparatul ca la descrierea din capitolul „Instalarea / Montajul”.
- Respectați presiunea maximă admisă (vezi capitolul „Instalare / Date tehnice / Tabel de date”).
- Rezistența specifică a apei din rețeaua de alimentare cu apă nu are voie să fie depășită (vezi capitolul „Instalare / Date tehnice / Tabel de date”).

- Goliți aparatul conform descrierii din capitolul „Instalarea / Întreținerea / Golirea aparatului”.

## OPERARE

### 1. Instrucțiuni generale

Capitolul „Comandă” se adresează utilizatorului aparatului și tehnicianului de specialitate.

Capitolul „Instalare” se adresează tehnicianului de specialitate.



#### Indicație

Citiți cu atenție aceste instrucțiuni înainte de utilizare și păstrați-le bine.

Predați de asemenea instrucțiunile de utilizare următorului utilizator.

#### 1.1 Indicații de siguranță

##### 1.1.1 Structura instrucțiunilor de siguranță



#### CUVÂNT DE SEMNALIZARE Tipul pericolului




Aici sunt înscrise posibilele urmări ale nerespectării indicațiilor de siguranță.

► Aici sunt înscrise măsurile de protecție contra pericolului.

## OPERARE

### Instrucțiuni generale

#### 1.1.2 Simboluri, tipul pericolului

Simbol	Tipul pericolului
	Rănire
	Electrocutare
	Arsură (arsură, opărire)

#### 1.1.3 Cuvinte semnal

CUVÂNT SEM- NAL	Semnificație
PERICOL	Indicații, a căror nerespectare cauzează răniri grave sau deces.
AVERTIZARE	Indicații, a căror nerespectare poate cauza răniri grave sau deces.
ATENȚIE	Indicații, a căror nerespectare poate cauza răniri de gravitate medie sau ușoară.

#### 1.2 Alte marcaje în această documentație



##### Indicație

Indicațiile sunt încadrate de linii orizontale deasupra și dedesubtul textului. Indicațiile generale sunt marcate cu simbolul alăturat.

► Citiți cu atenție textele acestor indicații.

##### Simbol



Pagube materiale (deteriorarea aparatelor, deteriorări consecutive, poluarea mediului înconjurător)



Scoaterea din uz a aparatelor

► Acest simbol vă arată că trebuie să acționați. Manevrelor necesare vor fi descrise pas cu pas.

#### 1.3 Unități de măsură



##### Indicație

Dacă a fost altfel precizat, unitățile de măsură utilizate sunt milimetri.

## 2. Siguranța

### 2.1 Utilizarea conformă cu destinația

Aparatul este prevăzut pentru instalarea în mediul casnic. Poate fi utilizat în siguranță de persoane neinstruite. Aparatul poate fi utilizat și în spații nedestinate locuirii, de exemplu în mici ateliere, în măsura în care exploatarea se realizează în același mod.

Aparatul servește la încălzirea apei potabile sau încălzirea suplimentară a apei preîncălzite. Aparatul este destinat utilizării pentru un lavoar.

O altfel de utilizare nu este considerată conformă. Pentru o utilizare conformă cu destinația trebuie respectate aceste instrucțiuni precum și instrucțiunile accesoriilor utilizate.

### 2.2 Indicații generale de siguranță



#### PERICOL de opărire

Armătura poate atinge o temperatură de până la 55 °C. În cazul temperaturilor de ieșire mai mari de 43 °C există pericolul de opărire.



#### AVERTIZARE Rănire

Aparatul poate fi utilizat atât de copii peste 3 ani, cât și de persoanele cu capacități corporale, senzoriale sau mentale reduse sau cu deficiențe privind experiența și cunoștințele, dacă au fost supravegheate ori instruite referitor la utilizarea sigură a aparatului și la pericolele care rezultă astfel. Copiii nu au voie să se joace cu aparatul. Curățarea și întreținerea realizate de utilizator nu pot fi executate de copii fără supraveghere.



#### PERICOL de electrocutare

Cablul electric de racordare deteriorat trebuie înlocuit de un tehnician de specialitate. Se exclude astfel o posibilă periclitate.



#### Pagube materiale

Protejați aparatul și armătura contra înghețului.



#### Pagube materiale

Utilizați numai regulatorul de jet special livrat în pachet. Preveniți depunerile de calcar la garniturile de evacuare (vezi capitolul „Curățarea / Îngrijirea și întreținerea”).

### 2.3 Marcaj de verificare

Vezi placa de identificare la aparat.

#### 3. Descrierea instalației

Mini-încălzitorul instant reglat electronic menține constantă temperatura de evacuare indiferent de temperatura de intrare a apei până la limita de putere.

Aparatul este reglat din fabricație la temperatura de evacuare necesară pentru spălarea mâinilor. Dacă temperatura este atinsă sistemul electronic reduce automat puterea. Puterea se adaptează la temperatura dorită, astfel temperatura nu este depășită.

Aparatul încălzește apa direct la locul de extracție în momentul în care se deschide armătura. Prin intermediul conductelor scurte se reduc pierderile de energie și apă.

Conducta apă caldă depinde de temperatura apei reci, de capacitatea de încălzire și de debit.

Sistemul de căldură cu conductor neizolat este adecvat atât pentru apă săracă în calcar cât și pentru apă cu conținut de calcar. Sistemul de încălzire nu este sensibil la depunerea de calcar. Sistemul de încălzire asigură o alimentare rapidă și eficientă a apei calde la lavoar.

Tehnicianul de specialitate poate regla valorile maxime ale temperaturii și debitul volumetric (vezi capitolul „Punere în funcțiune / Reglaje”).

La montarea regulatorului de jet special anexat obțineți un jet optim de apă.

#### 4. Setările

În momentul în care deschideți robinetul de apă caldă la armătura sau se acționează senzorul la armătura cu senzor, sistemul de încălzire al aparatului se cuplează automat. Apa se încălzește. Puteți modifica temperatura apei prin intermediul armăturii:

Cantități de pornire și limitarea debitului volumetric vezi capitolul „Date tehnice”.

##### Creșterea temperaturii

- ▶ Reglați debitul prin intermediul armăturii.

##### Reducerea temperaturii

- ▶ Deschideți mai mult armătura sau amestecați cu mai multă apă rece.

##### După întreruperea alimentării cu apă

Vezi capitolul „Punerea în funcțiune / Repunerea în funcțiune”.

## 5. Curățarea, îngrijirea și întreținerea

- ▶ Nu utilizați detergenți abrazivi sau solvenți. Pentru îngrijirea și curățarea aparatului este suficientă o lavetă umedă.
- ▶ Controlați garniturile în mod regulat. Calcarul depus la căile de evacuare ale bateriei se poate îndepărta cu soluții de decalcifiere din comerț.
- ▶ Lăsați la verificat în mod regulat siguranța electrică a aparatului de către un specialist.
- ▶ Decalcificați sau înlocuiți în mod regulat regulatorul de jet special din armătură (vezi capitolul „Descrierea aparatului / Accesorii”).

## 6. Remedierea problemelor

Problemă	Cauză	Remediere
Sistemul de încălzire nu se conectează, cu toate că robinetul de apă caldă a fost deschisă complet.	La aparat nu există tensiune de alimentare.	Verificați siguranța la tabloul electric.
	La regulatorul de jet din armătură sunt depunerii de calcar sau este murdar.	Curățați și / sau decalcificați regulatorul de jet sau înlocuiți regulatorul de jet special.
	Alimentarea cu apă este întreruptă.	Aerisiți aparatul și conducta de alimentare cu apă rece (vezi capitolul „Instalări”).
Nu este atinsă temperatura dorită.	Temperatura maximă este reglată în aparat prea jos.	Lăsați să fie reglată din nou temperatura de către tehnicianul de specialitate.
	Aparatul se află la limita puterii.	Reduceți debitul volumetric.

Dacă nu puteți remedia cauza, contactați tehnicianul de specialitate. Pentru un ajutor mai bun și mai rapid, comunicați acestuia numărul de pe placa de identificare cu (000000-0000-00000).

● ●

Model:  Nr E:

Nr F:

# INSTALARE

## 7. Siguranța

Instalarea, punerea în funcțiune, precum și întreținerea și repararea aparatului nu sunt permise decât tehnicianului de specialitate.

### 7.1 Indicații generale de siguranță

Buna funcționare și siguranța aparatului sunt garantate numai dacă sunt utilizate accesoriile și piesele de schimb originale prevăzute pentru aparat.



#### Pagube materiale

Respectați temperatura maximă de alimentare admisă. La temperaturi mai înalte aparatul se poate deteriora. Cu o armătură termostatată centrală puteți limita temperatura de intrare.



#### AVERTIZARE Electrocutare

Acest aparat conține condensatori, care se descarcă după separarea de la rețeaua electrică. Tensiunea de descărcare a condensatorului poate să fie temporar > 34 V CC.

## 7.2 Prevederi, norme și reglementări



#### Indicație

Respectați toate prevederile și reglementările naționale și locale.

Rezistența electrică specifică a apei nu trebuie să fie mai mică decât cea indicată pe placa de identificare. În cazul unei rețele colective de apă respectați rezistența electrică cea mai redusă a apei (vezi capitolul „Date tehnice / Tabel de date”). Rezistența electrică specifică, sau conductibilitatea electrică a apei, o veți afla de la întreprinderea locală de alimentare a apei.

## 8. Descrierea instalației

### 8.1 Conținutul livrării

Împreună cu aparatul sunt livrate:

- Sită pentru alimentarea cu apă rece
- Regulator de jet special
- Furtun de racord 3/8, 500 mm lungime, cu garnituri de etanșare\*
- Piesă în T 3/8\*
- Logo firmă pentru montajul deasupra chiuvetei

\* pentru racordarea ca aparat sub presiune



# INSTALARE

## Pregătiri

### 8.2 Accesorii

#### Regulator de jet special



##### Indicație

La montarea unui regulator de jet special în armătură obțineți un jet optim de apă.

#### Garnituri

- Utilizați armături adecvate.

#### Armături fără presiune

- MAW (OT) Armătură de perete pentru montaj deasupra chiuvetei
- MAZ (UT) Armătură lavoar cu doi robineti
- MAE (UTE) Armătură lavoar cu un robinet

#### Armături sub presiune

Armături adecvate rezistente la presiune puteți procura în magazinele de specialitate.

### 9. Pregătiri

- Purjați temeinic conducta de apă.

#### Instalație apă

Nu este necesar un ventil de siguranță.

### 10. Montaj

#### 10.1 Loc montaj

Montați aparatul într-o încăpere ferită de îngheț în apropierea unei armături de extragere.

Acordați atenție accesului lateral facil la șuruburile de fixare a capacelor.

Aparatul este adecvat montajului sub chiuvetă (racorduri de apă în sus) și montajului deasupra chiuvetei (racorduri de apă în jos).



##### PERICOL de electrocutare

Șurubul de ajustare pentru reglarea debitului volumetric este conducător de tensiune și tipul de protecție IP25 este asigurat numai cu peretele din spate al aparatului montat.

- Montați întotdeauna panoul din spate al aparatului.

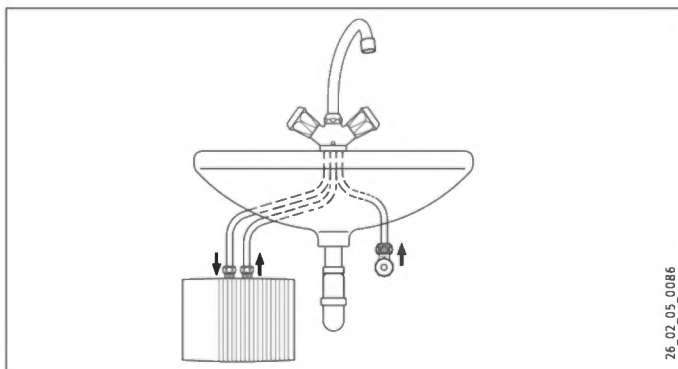
# INSTALARE

## Montaj

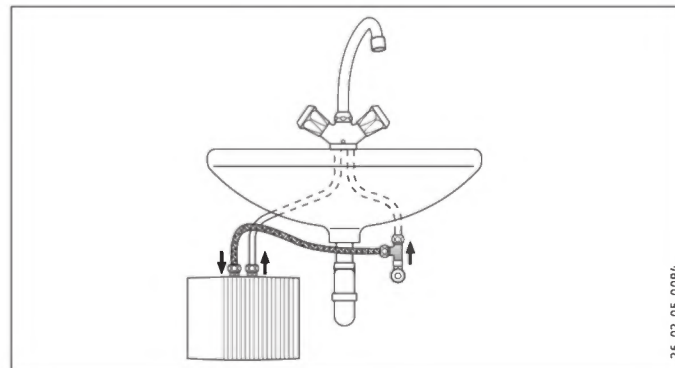
### 10.2 Alternative de montaj

#### 10.2.1 Montaj sub chiuvetă

Fără presiune, cu armătură fără presiune



Sub presiune, cu armătură sub presiune



# INSTALARE

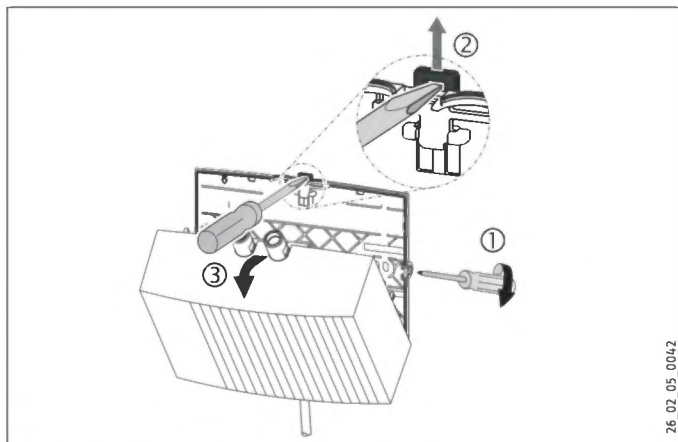
## Montaj

### Montarea aparatului

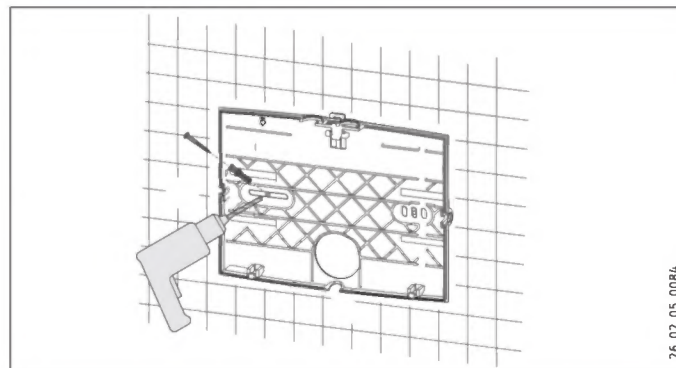


#### Indicație

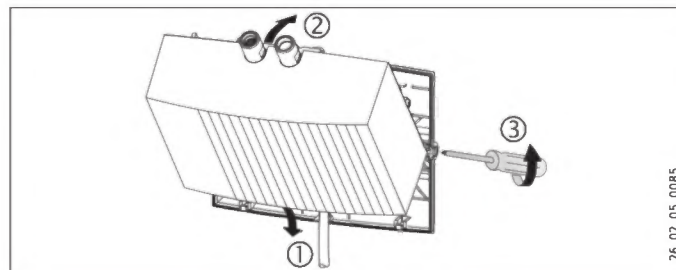
- ▶ Montați aparatul la perete.  
Peretele trebuie să aibă o capacitate portantă suficientă.



- ▶ Desfaceți șuruburile de fixare ale capacului cu două rotații.
- ▶ Deblocați închiderea cu resort cu o șurubelniță.
- ▶ Scoateți capacul aparatului cu sistem de încălzire în față.
- ▶ Realizați trecerile pentru cablul electric în capacul aparatului cu ajutorul unui clește. Corectați conturul event. cu o pilă.



- ▶ Utilizați panoul din spatele aparatului drept șablon de găurire.
- ▶ Fixați panoul din spatele aparatului cu dibluri și șuruburi adecvate la perete.



## INSTALARE

### Montaj

- ▶ Introduceți cablul electric prin orificiul de trecere al panoului din spate.
- ▶ Atârnați capacul aparatului împreună cu sistemul de încălzire la partea inferioară.
- ▶ Blocați sistemul de încălzire în închizătoarea cu resort.
- ▶ Fixați capacul aparatului cu șuruburile de fixare ale capacului.

#### Montarea armăturii

- ▶ Montați armătura. Acordați atenție la efectuarea acestei operațiuni și instrucțiunilor de instalare și utilizare ale armăturii.



#### Pagube materiale

- ▶ La montarea tuturor racordurilor trebuie să țineți contra la aparat cu o cheie SW 14.

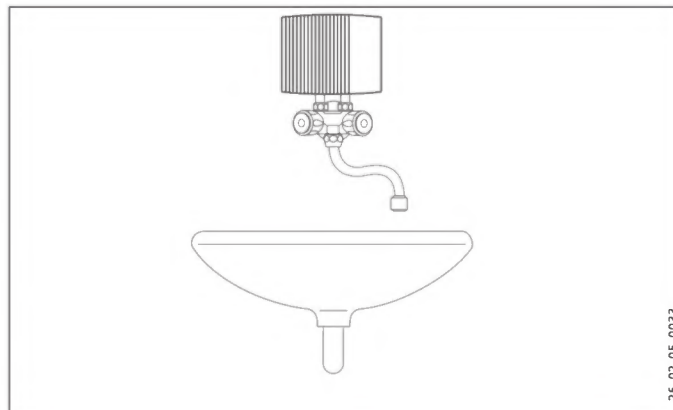
#### Armătură sub presiune



#### Indicație

- ▶ Montați furtunul de racordare 3/8 și piesa în T 3/8, livrate împreună cu aparatul.

#### 10.2.2 Montarea deasupra chiuvetei, fără presiune, cu armătură fără presiune



#### Montarea armăturii

- ▶ Montați armătura. Acordați atenție la efectuarea acestei operațiuni și instrucțiunilor de instalare și utilizare ale armăturii.



#### Pagube materiale

- ▶ La montarea tuturor racordurilor trebuie să țineți contra cu o cheie SW 14, vezi capitolul „alternative de montaj/montarea sub chiuvetă”.

### Montajul aparatului

- ▶ Montați aparatul cu racordurile de apă la armătură.

### 10.3 Realizare conexiuni electrice



#### PERICOL de electrocutare

Efectuați toate lucrările de conexiune și instalare conform prevederilor.



#### PERICOL de electrocutare

Acordați atenție ca aparatul să fie conectat la conductorul de protecție.

Aparatul trebuie deconectat de la rețeaua de curent de la toți polii pe o distanță minimă de 3 mm.



#### PERICOL de electrocutare

În starea de livrare, aparatele sunt echipate cu un cablu electric (EIL 3 Premium cu ștecăr).

O conectare la un cablu electric pozat fix este posibilă dacă aceasta are o secțiune minimă corespunzătoare cablului electric de serie al aparatului. Maxim este posibilă o secțiune a cablului de 3 x 6 mm<sup>2</sup>.

- ▶ La o montare deasupra chiuvetei a aparatului trebuie să pozați un cablu electric prin spatele aparatului.



#### Pagube materiale

Acordați atenție faptului ca la racordarea unei prize cu contact de protecție (în cazul unui cablu electric cu ștecăr) ca priza cu contact de protecție să fie liber accesibilă după instalarea aparatului.



#### Pagube materiale

Observați placa de identificare a aparatului. Tensiunea indicată trebuie să corespundă tensiunii de rețea.

- ▶ Conectați cablul electric în conformitate cu planul electric (vezi capitolul „Date tehnice / Schema de conexiuni electrice”).

## 11. Punerea în funcțiune

### 11.1 Prima punere în funcțiune



- ▶ Umpleți aparatul prin mai multe porniri succesive la armătură până când rețeaua de conducte și aparatul nu mai conțin aer.

### Punerea în funcțiune

- ▶ Realizați un control al etanșeității.
- ▶ Introduceți ștecărul cu cablu electric, dacă este prevăzut, în priza cu contact de protecție sau cuplați siguranța.
- ▶ Verificați modul de funcționare al aparatului.
- ▶ La un montaj deasupra chiuvetei trebuie să lipiți deasupra logo-ului firmei logo-ul firmei anexat în pachet.

#### 11.2 Predarea aparatului

- ▶ Explicați utilizatorului funcționarea aparatului și obișnuiți-l cu utilizarea acestuia.
- ▶ Avertizați utilizatorul asupra posibilelor pericole, în special asupra pericolului de opărire.
- ▶ Predați aceste instrucțiuni.

#### 11.3 Repunerea în funcțiune



##### Pagube materiale

După întreruperea alimentării cu apă repuneți în funcțiune aparatul urmând următorii pași, pentru a nu se distruge sistemul de încălzire cu conductori neizolați.

- ▶ Decuplați aparatul de la tensiune. Scoateți pentru aceasta ștecărul cu cablu electric, dacă este prevăzut, sau decuplați siguranța.
- ▶ Vezi capitolul „Prima punere în funcțiune”.

#### 11.4 Setările

Puteți modifica valorile maxime ale debitului volumetric și temperatura.



##### PERICOL de electrocutare

Ajustarea debitului volumetric este admisă numai dacă aparatul este deconectat de la rețeaua de alimentare cu curent.

- ▶ Separați aparatul de racordul la rețea de la toți polii.

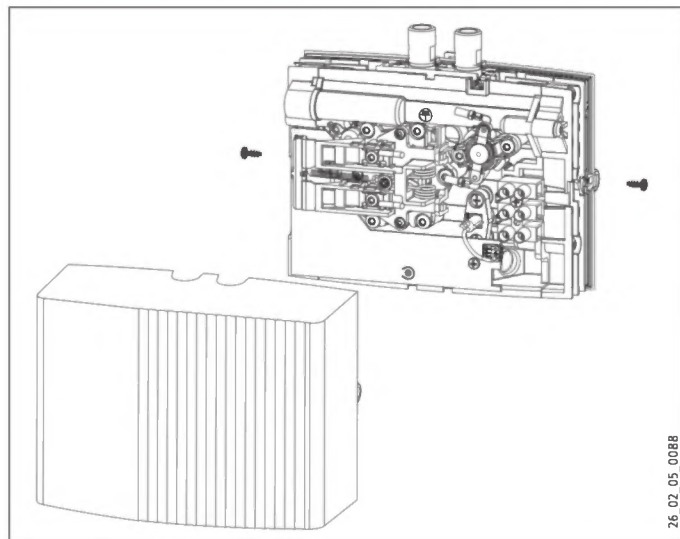


##### PERICOL de electrocutare

Șurubul de ajustare pentru ajustarea debitului volumetric și potențiometrul pentru reglarea temperaturii sunt conducătoare de curent dacă aparatul nu este separat de la rețeaua de alimentare cu curent.

## INSTALARE

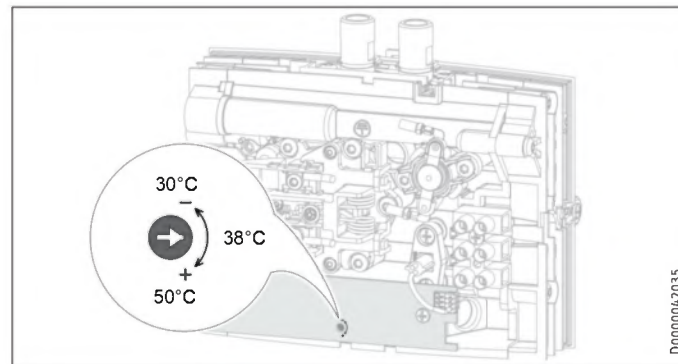
### Punerea în funcțiune



- ▶ Scoateți capacul aparatului.

### Reglarea temperaturii maxime

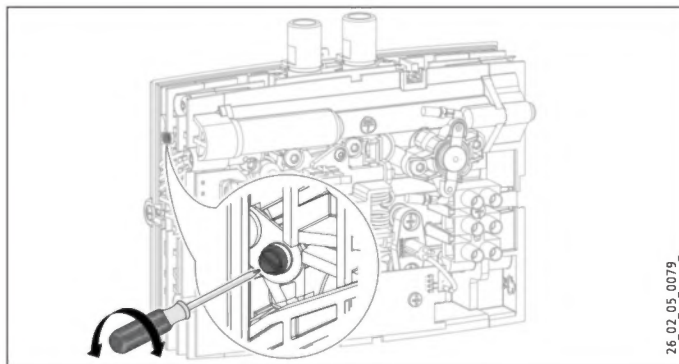
Reglaj din fabricație: 38 °C



- ▶ Ajustați potențiometrul cu ajutorul unei șurubelnițe la temperatura maximă dorită.
- ▶ Montați capacul aparatului.

### Limitarea debitului volumetric

Reglaj din fabricație: Debit volumetric maxim



- ▶ Ajustați cu ajutorul șurubului de ajustare debitul volumetric dorit:
  - Debit volumetric minim = înșurubați șurubul până la capăt.
  - Debit volumetric maxim = deșurubați șurubul până la capăt.
- ▶ Montați capacul aparatului.

### 12. Oprirea aparatului

- ▶ Separați aparatul de la tensiunea de alimentare de la siguranța din tabloul electric sau scoateți ștecărul cu cablu electric din priză.
- ▶ Goliți aparatul (vezi capitolul „Întreținerea”).

### 13. Remedierea perturbațiilor

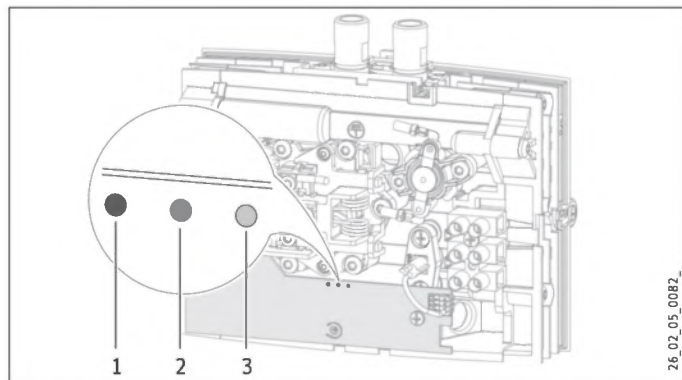
Problemă	Cauză	Remediere
Sistemul de încălzire nu se conectează, cu toate că robinetul de apă caldă a fost deschisă complet.	La regulatorul de jet din armătură sunt depuneri de calcar sau este murdar.	Curățați și / sau decalificați regulatorul de jet sau înlocuiți regulatorul de jet special.
	Debitul volumetric este reglat prea jos.	Măriți debitul volumetric.
	Sita din conducta de apă rece este înfundată.	Curățați sita după blocarea alimentării cu apă rece.
	Sistemul de încălzire este defect.	Măsurați rezistența sistemului de încălzire, event. înlocuiți aparatul.
	Limitatorul de presiune de protecție s-a declanșat.	Remediați sursa defecțiunii. Eliberați aparatul de sub tensiune și depresurizați conducta de apă. Activați limitatorul presiunii de protecție.
Nu este atinsă temperatura dorită.	Aparatul se află la limita puterii.	Reduceți debitul volumetric.



# INSTALARE

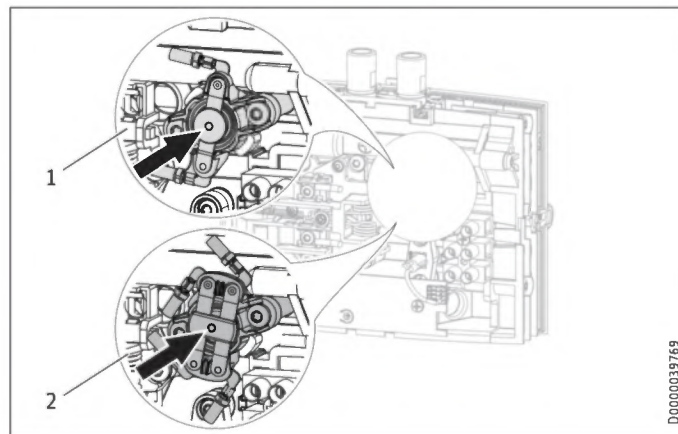
## Remedierea perturbațiilor

### Indicator diodă luminos



- 1 Indică roșu la perturbație
- 2 Indică galben în regimul de încălzire
- 3 Indică verde pâlpâind la alimentarea cu tensiune a sistemului electronic

### Activați limitatorul presiunii de protecție



- 1 Limitator presiune de protecție 1 pin EIL 4 Premium / EIL 6 Premium
- 2 Limitator presiune de protecție 2 pin EIL 3 Premium / EIL 7 Premium

# INSTALARE

## Întreținerea

### 14. Întreținerea



**PERICOL de electrocutare**  
Separați aparatul de la rețea de la toți polii la efectuarea tuturor lucrărilor.

#### 14.1 Golirea aparatului



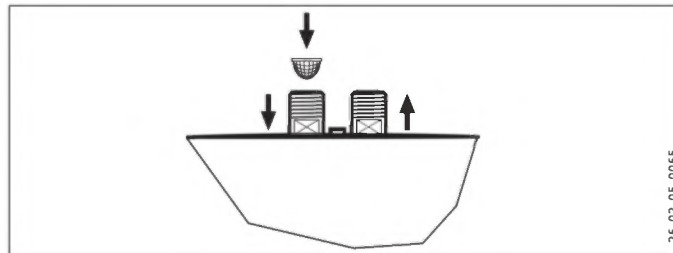
**PERICOL de opărire**  
La golire se poate scurge și apă încinsă.

Dacă trebuie să goliți aparatul în vederea lucrărilor de întreținere sau la pericol de îngheț pentru protecția întregii instalații procedați în felul următor:

- ▶ Închideți vana de blocare din conducta de alimentare cu apă rece.
- ▶ Deschideți ventilul de extragere.
- ▶ Defaceți racordurile de apă de la aparat.

#### 14.2 Curățați sita

Puteți curăța sita integrată după demontarea conductei de apă rece.



#### 14.3 Verificări conform VDE 0701/0702

##### Verificarea conductorului de împământare

- ▶ Verificați conductorul de protecție (în Germania de ex. DGUV A3) la contactul conductorului de protecție al cablului electric și la ștuțul de racordare al aparatului.

# INSTALARE

## Date tehnice

### Rezistență izolație

Din motivul comenzii electronice a acestui aparat o măsurare a rezistenței izolației conform VDE 0701/0702 nu se poate executa.

- ▶ Pentru verificarea eficienței proprietăților de izolație a acestui aparat recomandăm realizarea unei măsurări a curentului diferențial la curentul conductorului împământare / curentul de scurgere conform VDE 0701/0702 (figura C.3b).

### 14.4 Depozitarea aparatului

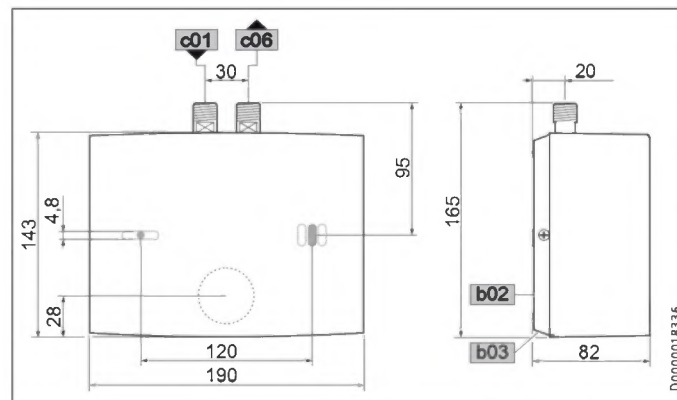
- ▶ Depozitați aparatul demontat într-o încăpere ferită de îngheț, deoarece apa reziduală din aparat ar putea îngheța și provoca avarii.

### 14.5 Înlocuirea conductorului electric de conectare la EIL 6 Premium

- ▶ La EIL 6 Premium trebuie să folosiți în caz de înlocuire un cablu electric de 4 mm<sup>2</sup>.

## 15. Date tehnice

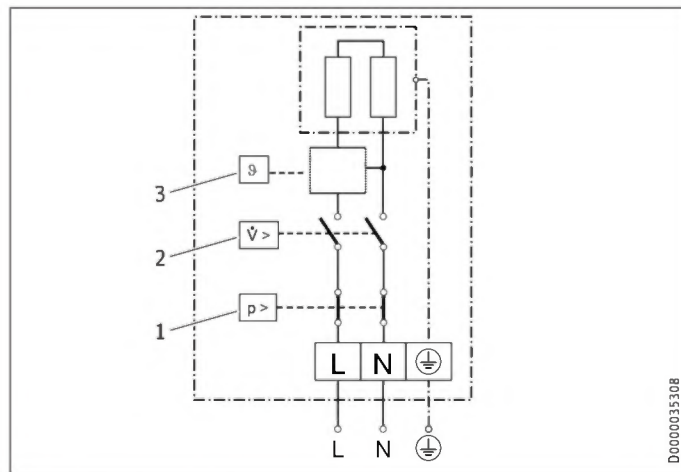
### 15.1 Dimensiuni și racorduri



b02	Executarea cablărilor elect. I		
b03	Executarea cablărilor elect. II		
c01	Alimentarea cu apă rece	Filet exterior	G 3/8 A
c06	Evacuare apă caldă	Filet exterior	G 3/8 A

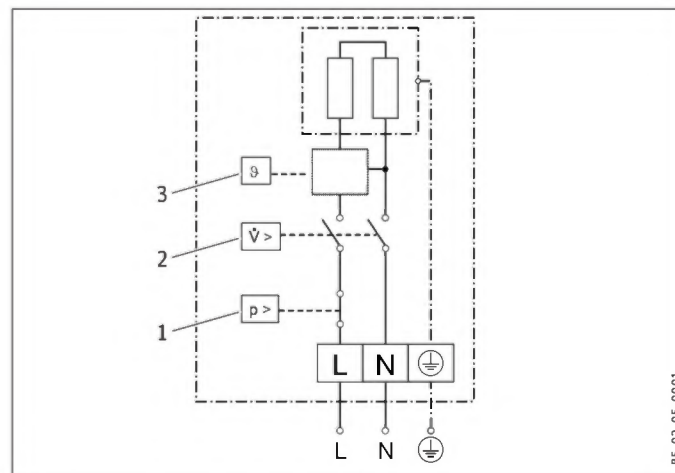
### 15.2 Schemă de conexiune electrică

#### 15.2.1 EIL 3 Premium 1/N/PE ~ 200-240 V



- 1 Limitatorul presiunii de siguranță
- 2 Comutator diferențial presiune
- 3 Sistem electronic cu senzor temperatură de evacuare

#### 15.2.2 EIL 4 Premium și EIL 6 Premium 1/N/PE ~ 200-240 V



- 1 Limitatorul presiunii de siguranță
- 2 Comutator diferențial presiune
- 3 Sistem electronic cu senzor temperatură de evacuare



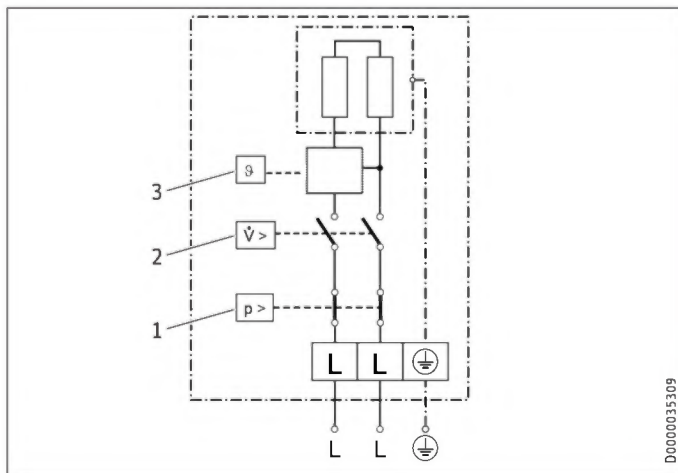
#### Pagube materiale

- La racordare fixă conectați cablul electric conform marcajelor bornelor prizei.

# INSTALARE

## Date tehnice

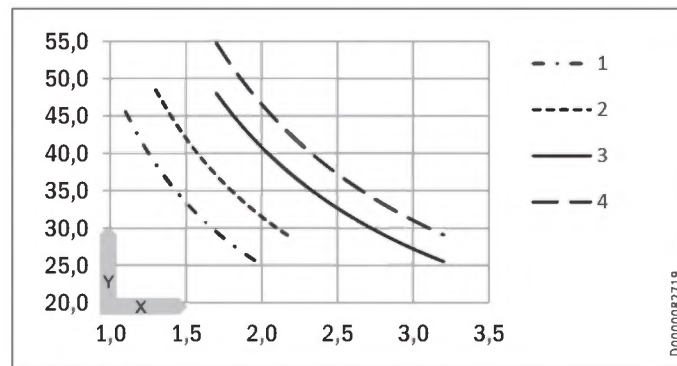
### 15.2.3 EIL 7 Premium 2/PE ~ 380-400 V



- 1 Limitatorul presiunii de siguranță
- 2 Comutator diferențial presiune
- 3 Sistem electronic cu senzor temperatură de evacuare

### 15.3 Creșterea temperaturii

La o tensiune de 230 V / 400 V rezultă următoarele creșteri ale temperaturii apei:



- X Debit în l/min  
Y Creștere temperatură în K
- 1 3,5 kW - 230 V
  - 2 4,4 kW - 230 V
  - 3 5,7 kW - 230 V
  - 4 6,5 kW - 400 V

#### Exemplu EIL 3 Premium cu 3,5 kW

Debit	l/min	2,0
Creșterea temperaturii	K	25
Temperatură intrare apă rece	°C	12
Temperatură ieșire maxim posibilă	°C	37

# INSTALARE

## Date tehnice

### 15.4 Domenii de utilizare

Pentru rezistența și conductibilitatea electrică specifică, vezi „Tabel de date”.

Date normate la 15 °C			20 °C			25 °C		
Spec. rezistență $\rho \geq$	Spec. conductibilitate $\sigma \leq$		Spec. rezistență $\rho \geq$	Spec. conductibilitate $\sigma \leq$		Spec. rezistență $\rho \geq$	Spec. conductibilitate $\sigma \leq$	
$\Omega\text{cm}$	mS/m	$\mu\text{S/cm}$	$\Omega\text{cm}$	mS/m	$\mu\text{S/cm}$	$\Omega\text{cm}$	mS/m	$\mu\text{S/cm}$
1000	100	1000	890	112	1124	815	123	1227
1300	77	769	1175	85	851	1072	93	933

### 15.5 Informații privind consumul de energie

Fișă de date produs: Preparator de apă caldă convențional conform ordonanței (UE) nr. 812/2013 | 814/2013

		EIL 3 Premium	EIL 4 Premium	EIL 6 Premium	EIL 7 Premium
		200134	200135	200136	200137
Producător		STIEBEL ELTRON	STIEBEL ELTRON	STIEBEL ELTRON	STIEBEL ELTRON
Profil de sarcină		XXS	XXS	XXS	XS
Clasa de eficiență energetică		A	A	A	A
Randamentul energetic	%	39	38	39	40
Consum anual energie electrică	kWh	478	478	478	467
Reglajul temperaturii din fabricație	°C	38	38	38	38
Nivelul puterii acustice	dB(A)	15	15	15	15
Indicații speciale privind măsurarea eficienței		fără	fără	fără	fără
Consum zilnic de energie electrică	kWh	2,200	2,200	2,200	2,130

# INSTALARE

## Date tehnice

### 15.6 Tabel de date

		EIL 3 Premium				EIL 4 Premium				EIL 6 Premium				EIL 7 Premium	
		200134				200135				200136				200137	
<b>Date electrice</b>															
Tensiune nominală	V	200	220	230	240	200	220	230	240	200	220	230	240	380	400
Putere nominală	kW	2,7	3,2	3,53	3,8	3,3	4,0	4,4	4,8	4,3	5,2	5,7	6,2	5,9	6,5
Curent nominal	A	13,3	14,5	15,2	15,8	16,7	18,2	19,1	20,0	21,6	23,6	24,7	25,8	15,5	16,3
Siguranță	A	16				20				25	25	25	32	16	20
Frecvență	Hz	50/60				50/60				50/60				50/-	50/-
Faze		1/N/PE				1/N/PE				1/N/PE				2/PE	
Rezistență specifică $\rho_{15} \geq$ (la $\vartheta_{rece} \leq 25^\circ\text{C}$ )	$\Omega \text{ cm}$	1000				1000				1000				1000	
Conductibilitate specifică $\sigma_{15} \leq$ (la $\vartheta_{rece} \leq 25^\circ\text{C}$ )	$\mu\text{S/cm}$	1000				1000				1000				1000	
Rezistență specifică $\rho_{15} \geq$ (la $\vartheta_{rece} > 25^\circ\text{C}$ )	$\Omega \text{ cm}$	1300				1300				1300				1300	
Conductibilitate specifică $\sigma_{15} \leq$ (la $\vartheta_{rece} > 25^\circ\text{C}$ )	$\mu\text{S/cm}$	770				770				770				770	
Impedanță max. rețea la 50 Hz	$\Omega$	0,083	0,079	0,076		0,065	0,063	0,06		0,049	0,047	0,045		0,236	0,225
<b>Racorduri</b>															
Racordul de apă		G 3/8 A				G 3/8 A				G 3/8 A				G 3/8 A	
<b>Limite de utilizare</b>															
Presiune maximă admisă	MPa	1				1				1				1	
Temperatură maximă de intrare apă pentru încălzire suplimentară	$^\circ\text{C}$	50				50				50				50	
<b>Valori</b>															
Temperatură maximă admisă de intrare apă	$^\circ\text{C}$	55				55				55				55	
Domeniu setare temperatură apă caldă	$^\circ\text{C}$	30-50				30-50				30-50				30-50	
Pornit	l/min	>1,5				>1,8				>2,2				>2,2	
Pierdere presiune la debit volumetric	MPa	0,05				0,06				0,07				0,07	
Debit volumetric pentru pierderea de presiune	l/min	1,5				1,8				2,2				2,2	
Limitarea debitului volumetric la	l/min	2,0				2,2				3,2				3,2	

# INSTALARE

## Date tehnice

		EIL 3 Premium	EIL 4 Premium	EIL 6 Premium	EIL 7 Premium
Prepararea apei calde	l/min	2,0	2,2	3,2	3,7
$\Delta\theta$ la preparare	K	25	25	25	25
Date hidraulice					
Capacitate nominală	l	0,1	0,1	0,1	0,1
Variante de execuție					
Tip montaj deasupra chiuvetei		X	X	X	X
Tip montaj sub masă		X	X	X	X
Tipul construcției Deschis		X	X	X	X
Tip construcție, închis		X	X	X	X
Clasă de protecție		1	1	1	1
Bloc de izolare		Plastic	Plastic	Plastic	Plastic
Generator de căldură sistem de încălzire		Fir neizolat	Fir neizolat	Fir neizolat	Fir neizolat
Capacul și panoul spate		Plastic	Plastic	Plastic	Plastic
Culoare		alb	alb	alb	alb
Clasă de protecție (IP)		IP25	IP25	IP25	IP25
Dimensiuni					
Înălțime	mm	143	143	143	143
Lățime	mm	190	190	190	190
Adâncime	mm	82	82	82	82
Lungime cablu	mm	700	700	700	700
Mase					
Masa	kg	1,5	1,5	1,5	1,5



### Indicație

Aparatul corespunde cu IEC 61000-3-12.



### **Garanție**

Pentru aparatele procurate din afara Germaniei nu sunt valabile condițiile de garanție ale societăților noastre din Germania. Mai mult, în țările în care produsele noastre sunt distribuite de una din filialele noastre, o garanție este acordată numai de către aceste filiale. O asemenea garanție se acordă numai atunci când filiala a editat propriile condiții de garanție. Nu se acordă nici un fel de garanție în afară de aceasta.

Pentru aparatele care au fost procurate din țări în care nici o filială de a noastră nu distribuie produsele noastre, nu acordăm nici un fel de garanție. Posibilele garanții acordate de către importator rămân de aceea neafectate.

### **Mediu și reciclare**

Vă rugăm să ajutați la protecția mediului. Eliminați materialele după utilizare conform prescripțiilor naționale.

## KÜLÖNLEGES TUDNIVALÓK

### KEZELÉS

<b>1. Általános tudnivalók</b>	<b>180</b>
1.1 Biztonsági tudnivalók	180
1.2 A dokumentumban használt egyéb jelölések	181
1.3 Mértékegységek	181
<b>2. Biztonság</b>	<b>182</b>
2.1 Rendeltetésszerű használat	182
2.2 Általános biztonsági tudnivalók	182
2.3 Vizsgálati jelölés	183
<b>3. Készülék-leírás</b>	<b>183</b>
<b>4. Beállítások</b>	<b>183</b>
<b>5. Tisztítás, ápolás és karbantartás</b>	<b>184</b>
<b>6. Hibaelhárítás</b>	<b>184</b>

### FELSZERELÉS

<b>7. Biztonság</b>	<b>185</b>
7.1 Általános biztonsági tudnivalók	185
7.2 Előírások, szabványok és rendelkezések	185
<b>8. Készülék-leírás</b>	<b>185</b>
8.1 A készlet tartalma	185
8.2 Tartozékok	186
<b>9. Előkészületek</b>	<b>186</b>
<b>10. Szerelés</b>	<b>186</b>
10.1 Felszerelési hely	186
10.2 Felszerelési variációk	187

10.3 A elektromos csatlakozás kialakítása	190
<b>11. Üzembe helyezés</b>	<b>191</b>
11.1 Első üzembe helyezés	191
11.2 A készülék átadása	191
11.3 Újbóli üzembe helyezés	191
11.4 Beállítások	191
<b>12. Üzemen kívül helyezés</b>	<b>193</b>
<b>13. Üzemzavar-elhárítás</b>	<b>193</b>
<b>14. Karbantartás</b>	<b>195</b>
14.1 A készülék ürítése	195
14.2 A szűrő tisztítása	195
14.3 A VDE 0701/0702 szerinti vizsgálatok	195
14.4 A készülék tárolása	196
14.5 Az elektromos bekötővezeték cseréje az EIL 6 Premium esetén	196
<b>15. Műszaki adatok</b>	<b>196</b>
15.1 Méretek és csatlakozók	196
15.2 Elektromos kapcsolási rajz	197
15.3 Hőmérséklet-növelés	198
15.4 Alkalmazási területek	199
15.5 Energiafogyasztási adatok	199
15.6 Adattáblázat	200

### GARANCIA

### KÖRNYEZETVÉDELEM ÉS ÚJRAHASZNOSÍTÁS

## KÜLÖNLEGES TUDNIVALÓK

- A készüléket 3 éves kort betöltött gyermekek, valamint testi, érzékszervi vagy szellemi fogyatékossgal élők, nem hozzáértő és a terméket nem ismerő személyek csak megfelelő felügyelet mellett vagy a készülék biztonságos használatával kapcsolatos alapvető utasítások és a járulékos veszélyek ismeretében használhatják. Gyermekek nem játszhatnak a készülékekkel. Gyermekek nem végezhetik a készülék tisztítását és felhasználói karbantartását felügyelet nélkül.
- A csaptelep hőmérséklete elérheti az 55 °C-ot. 43 °C-nál magasabb kiömlési hőmérséklet esetén fennáll a leforrázás veszélye.
- Összpólusú, legalább 3 mm érintkező távolságú megszakítóval kell biztosítani a leválasztás lehetőségét a hálózatról.
- A megadott feszültségnek meg kell egyeznie a hálózati feszültséggel.
- Az EIL 3 Premium típus kivételével a készüléket fixen kell bekötni.
- A hálózati tápkábelt – annak sérülése vagy cseréje esetén – csak a gyártó által jóváhagyott szakember cserélheti ki eredeti pótkatrész felhasználásával.
- A készüléket a „Telepítés/Szerelés“ c. fejezetben leírtak szerint erősítse fel.
- Ügyeljen a maximális megengedett nyomásra (lásd a „Telepítés / Műszaki adatok / Adattáblázat“ c. fejezetet).

- A készülék telepítésekor a fajlagos vízellenállás nem lehet kisebb a vízellátó hálózatra megadott értéknél (lásd a „Műszaki adatok / Adattáblázat“ c. fejezetet).
- Ūrítse le a készüléket, a „Telepítés / Karbantartás / A készülék leürítése“ c. fejezet szerint.

## KEZELÉS

### 1. Általános tudnivalók

A „Kezelés“ c. fejezet felhasználók és szakemberek számára készült.

A „Telepítés“ c. fejezet szakemberek számára szükséges információkat tartalmaz.



#### Tudnivaló

A használatot megelőzően gondosan olvassa el ezt az útmutatót és őrizze meg azt.

Ha továbbadja a készüléket, akkor az útmutatót is adja át a következő felhasználónak.

### 1.1 Biztonsági tudnivalók

#### 1.1.1 A biztonsági tudnivalók felépítése



#### JELZŐSZÓ A veszély jellege




Itt a biztonsági utasítások figyelmen kívül hagyásából adódó esetleges következmények találhatóak.

► Itt a veszély elhárításához szükséges intézkedések találhatóak.

# KEZELÉS

## Általános tudnivalók

### 1.1.2 Szimbólumok, a veszély jellege

Szimbólum	A veszély jellege
	Sérülés
	Áramütés
	Égési sérülés (Égési sérülés, forrázás)

### 1.1.3 Jelzőszavak

JELZŐSZÓ	Jelentése
VESZÉLY	Olyan tudnivalók, amelyek figyelmen kívül hagyása súlyos vagy halálos sérülést okoz.
FIGYELMEZTETÉS	Olyan tudnivalók, amelyek figyelmen kívül hagyása súlyos vagy halálos sérülést okozhat.
VIGYÁZAT	Olyan tudnivalók, amelyek figyelmen kívül hagyása közepesen súlyos vagy könnyű sérülést okozhat.

### 1.2 A dokumentumban használt egyéb jelölések



#### Tudnivaló

A tudnivalókat a szöveg alatt vagy fölött található vízszintes vonalak határolják. Az általános tudnivalókat a mellettük lévő szimbólumok jelölik.

► Gondosan olvassa át a szöveges tudnivalókat.

#### Szimbólum



#### Anyagi kár

(a készülék sérülése, következményként fellépő kár, környezeti kár)



A készülék elszállítása hulladékként

► Ez a szimbólum jelzi Önnek, hogy valamit tennie kell. A szükséges műveleteket lépésről lépésre ismertetjük.

### 1.3 Mértékegységek



#### Tudnivaló

Egyéb előírás híján a méretek mm-ben értendők.

## 2. Biztonság

### 2.1 Rendeltetészerű használat

A készülék háztartási használatra készült. A készülék betanítás nélkül is biztonságosan használható. A készülék nem háztartási (pl. kisvállalkozói) környezetben is használható, amennyiben a felhasználás módja azonos.

A készülék ivóvíz felmelegítésére vagy előmelegített víz utólagos felmelegítésére szolgál. A készüléket mosdókagylóhoz tervezték.

Az ettől eltérő vagy ezen túlmutató használat rendeltetésétől eltérőnek minősül. A rendeltetészerű használat egyúttal azt is feltételezi, hogy betartják a jelen útmutatóban valamint az alkalmazott tartozékok útmutatóiban foglaltakat is.

### 2.2 Általános biztonsági tudnivalók



#### Leforrzás VESZÉLYE

A csaptelep hőmérséklete elérheti az 55 °C-ot. 43 °C-nál magasabb kiömlési hőmérséklet esetén fennáll a leforrzás veszélye.



#### FIGYELMEZTETÉS Sérülés

A készüléket 3 éves kort betöltött gyermekek, valamint testi, érzékszervi vagy szellemi fogyatékossgal élők, nem hozzáértő és a terméket nem ismerő személyek csak megfelelő felügyelet mellett vagy a készülék biztonságos használatával kapcsolatos alapvető utasítások és a járulékos veszélyek ismeretében használhatják. Gyermekek nem játszhatnak a készülékkel. Gyermekek nem végezhetik a készülék tisztítását és felhasználói karbantartását felügyelet nélkül.



#### VESZÉLY Áramütés

Szakemberrel ki kell cseréltetni a sérült elektromos csatlakozóvezetékeket. Ezáltal kizárható az esetleges kockázat.



#### Anyagi kár

A készüléket és a csaptelepet védeni kell a fagytól.



#### Anyagi kár

Csak a készülékkel együtt leszállított speciális sugár- szabályzót használja. Akadályozza meg a kifolyócsövek vízkövesedését (lásd a „Tisztítás, ápolás és karbantartás” c. fejezetet).

### 2.3 Vizsgálati jelölés

Lásd a készülék típusabláját.

### 3. Készülék-leírás

Az elektronikus szabályozású átfolyó üzemű mini vízmelegítő a bejövő hőmérséklettől függetlenül a teljesítményhatárig állandó szinten tartja a kiömlési hőmérsékletet.

A készülék gyárilag a kézmosáshoz szükséges kiömlési hőmérsékletre van beállítva. A hőmérséklet elérésekor az elektronika automatikusan csökkentti a teljesítményt. A teljesítmény igazodik a kívánt hőmérséklethez, nehogy azt túllépje a megengedett értéket.

Amikor a csaptelepet megnyitják, a készülék közvetlenül a vételezési helynél felmelegíti a vizet. A rövid vezetékhoossznak köszönhetően alacsony az energia- és vízveszteségek.

A HMV teljesítmény a hidegvíz hőmérsékletétől, a fűtőteliességétől és az átfolyó mennyiségtől függ.

A csupaszdrótos fűtésrendszer lágy és kemény víztípusokkal is használható. A fűtésrendszer egyáltalán nem érzékeny a vízke ménységre. A fűtésrendszer gyors és hatékony melegvíz-ellátást biztosít a mosdóka gylónál.

A szakember beállíthatja a hőmérséklet és térfogatáram maximális értékét (lásd az „Üzembe helyezés / Beállítások” c. fejezetet).

A készülékkel együtt leszállított speciális sugárszabályzó garatálja az optimális vízugarat.

### 4. Beállítások

A csaptelep melegvíz-szelepe nek megnyitásakor, illetve érzékelős csaptelep esetén az érzékelő aktiválásakor a készülék fűtésrendszere automatikusan bekapcsolódik. A víz felmelegszik. A víz hőmérséklet a csapteleppel állítható:

A bekapcsolási mennyiséggel és a térfogatáram-határolással kapcsolatban lásd a „Műszaki adatok” c. fejezetet.

#### A hőmérséklet növelése

► Fojtsa le a csaptelepen átfolyó mennyiséget.

#### A hőmérséklet csökkentése

► Nyissa tovább a csaptelepet vagy keverjen hozzá több hideg vizet.

#### Teendők a vízellátás szüneteltetését követően

Lásd az „Üzembe helyezés / Ismételt üzembe helyezés” c. fejezetet.

## 5. Tisztítás, ápolás és karbantartás

- ▶ Súroló hatású vagy oldószertartalmú tisztítószerek használata tilos! A készülék ápolása és tisztítása nedves ruhával végezhető.
- ▶ Rendszeresen ellenőrizze a csaptelepeket. A csaptelepek kifolyócsövein lerakódott vízkő kereskedelmi forgalomban kapható vízkőoldóval eltávolítható.
- ▶ Rendszeresen ellenőriztesse a készülék elektromos biztonságát megfelelő szakemberrel.
- ▶ Rendszeresen végezze el a csaptelep speciális sugárszabályozójának vízkőmentesítését, illetve felújítását (lásd az „A készülék leírása / Tartozékok” című fejezetet).

## 6. Hibaelhárítás

Probléma	Ok	Elhárítás
A készülék még akkor sem kapcsolódik be, ha teljesen meg van nyitva a melegvíz-csap.	A készülék nem kap feszültséget.	Ellenőrizze a biztosítékok az épület elektromos rendszerében.
	A csaptelep sugárszabályozója elvízkövesedett vagy elszennyeződött.	Tisztítsa meg és/vagy vízkőmentesítse a sugárszabályozót vagy cserélje ki a speciális sugárszabályozót.
	Megszűnt a vízellátás.	Légtelenítse a készüléket és a hidegvíz-bekötővezeték (lásd a „Beállítások” c. fejezetet).
A víz hőmérséklete nem éri el a kívánt értéket.	A maximális hőmérséklet a készüléken túl alacsony értékre van beállítva.	Szakemberrel állítsa be újra a maximális hőmérsékletet.
	A készülék a teljesítményhatáron üzemel.	Csökkentse a térfogatáramot.

Ha az okot nem tudja elhárítani, akkor forduljon szakemberhez. A hathatósabb és gyorsabb segítség érdekében adja meg a típus-táblán feltüntetett gyári számot (000000-0000-00000).

●
●

Típus:  E-sz.:

F-sz.:



# FELSZERELÉS

## 7. Biztonság

A készülék felszerelését, üzembe helyezését, illetve karbantartását és javítását csak szakember végezheti.

### 7.1 Általános biztonsági tudnivalók

A kifogástalan működést és az üzembiztonságot csak abban az esetben garantáljuk, ha a készülékhez való eredeti tartozékokat és eredeti pótalkatrészeket használják.



#### Anyagi kár

Tartsa be a maximális megengedett beömlési hőmérsékletet. Magasabb hőmérséklet esetén a készülék károsodhat. Központi termosztátos csaptelep esetén a beömlési hőmérséklet korlátozható.



#### FIGYELMEZTETÉS Áramütés

Ez a készülék olyan kondenzátorokat tartalmaz, amelyek a hálózatról történő leválasztás után lemerülnek. A kondenzátor kisülési feszültsége adott esetben rövid időre meghaladhatja a 34 V DC értéket.

## 7.2 Előírások, szabványok és rendelkezések



#### Tudnivaló

Tartson be minden nemzeti és helyi előírást, illetve rendelkezést.

A víz fajlagos elektromos ellenállása nem lehet kisebb a típustáblán megadott értéknél. Összekapcsolt vízhálózat esetén figyelembe kell venni a legalacsonyabb elektromos vízellenállás értékre vonatkozó előírást (lásd a „Műszaki adatok / Adattábla“ c. fejezetet). A víz fajlagos elektromos ellenállásáról, illetve a víz vezetőképességéről a vízszolgáltatónál tájékozódhat.

## 8. Készülék-leírás

### 8.1 A készlet tartalma

A készülékkel együtt leszállított tartozékok:

- Hidegvíz-bekötővezeték szűrő
- Speciális sugárszabályzó
- 3/8-os csatlakozótömlő, 500 mm hosszú, tömítéssel\*
- 3/8-os T-idom\*
- Céges logó pult feletti szereléshez

\* nyomásálló készülékhez való csatlakoztatáshoz

### 8.2 Tartozékok

#### Speciális sugárszabályzó



##### Tudnivaló

A csaptelep beépített speciális sugárszabályzója optimális vízszugarat biztosít.

#### Csaptelepek

► Használjon megfelelő csaptelepet!

#### Nyomásmentes csaptelepek

- MAW (OT) Pult feletti szerelésű fali csaptelep
- MAZ (UT) Kétfogantyús mosdó csaptelep
- MAE (UTE) Egyfogantyús mosdó csaptelep

#### Nyomásálló csaptelepek

A szakkereskedőtől beszerezhető a megfelelő nyomásálló csaptelepek.

### 9. Előkészületek

► Alaposan öblítse át a vízvezetékét.

#### Vízszelzés

Biztonsági szelepre nincs szükség.

### 10. Szerelés

#### 10.1 Felszerelési hely

A készüléket fagymentes helyiségben szerelje fel a vízvételi csaptelep közelében.

Ügyeljen arra, hogy a fedél oldalsó rögzítőcsavarjai hozzáférhetőek legyenek.

A készülék pult alá (felső vízcsatlakozókkal) és pult fölé (alsó vízcsatlakozókkal) szerelhető.



##### VESZÉLY Áramütés

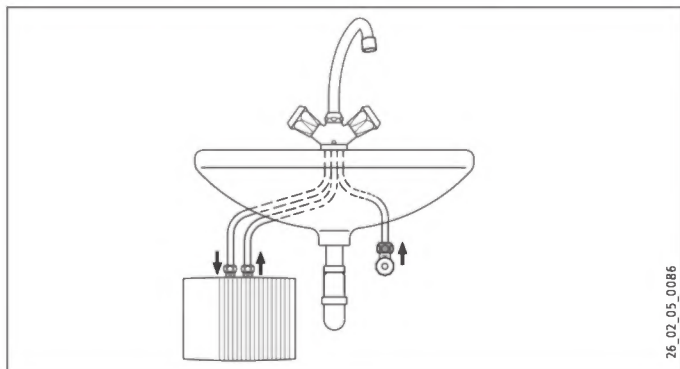
A térfogatáram beállítására szolgáló állítócsavar vezet az áramot; az IP25 védettség csak a készülék hátfalának felszerelt állapotában érvényes.

► Mindig szerelje fel a készülék hátfalát.

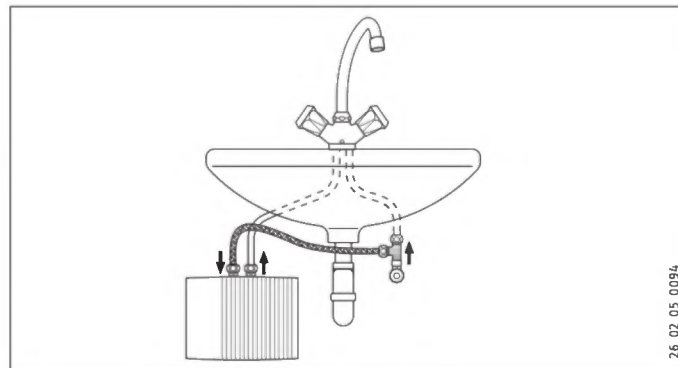
### 10.2 Felszerelési variációk

#### 10.2.1 Pult alá szerelhető kiviteli változat

##### Nyomásmentes, nyomásmentes csapteleppel



##### Nyomásálló, nyomásálló csapteleppel



# FELSZERELÉS

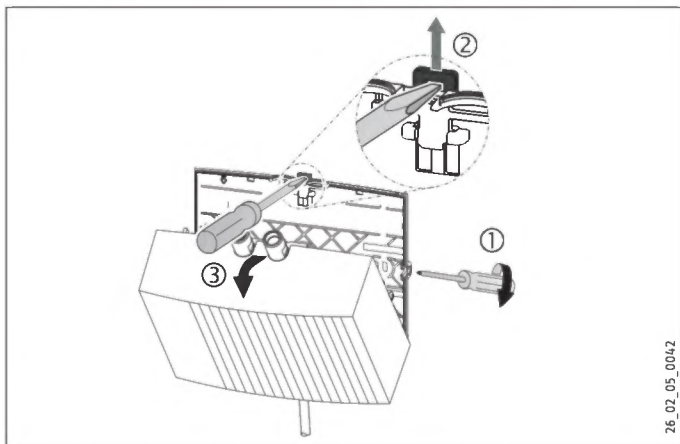
## Szerelés

### A készülék felszerelése



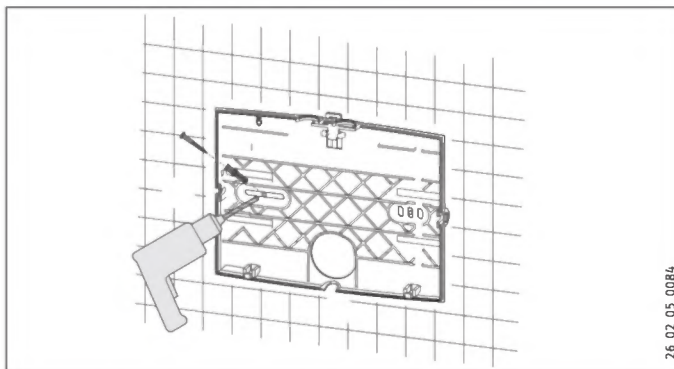
#### Tudnivaló

- ▶ Szerelje a készüléket a falra.  
A fal teherbírása elegendő kell, hogy legyen.



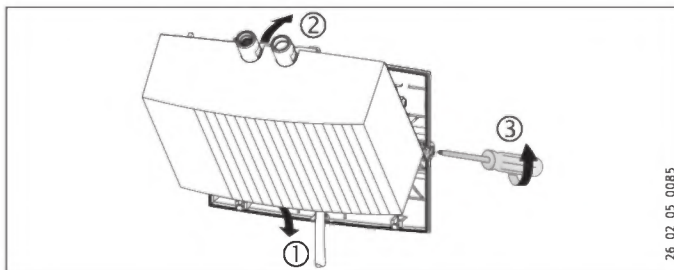
26\_02\_05\_0042

- ▶ Lazítsa meg a fedél rögzítőcsavarjait két fordulattal.
- ▶ Csavarhúzóval reteszelve ki a csapózárát.
- ▶ Előrefelé vegye le a készülék fedelét a fűtésrendszerrel.
- ▶ Fogóval törje ki az elektromos bekötővezeték átvezető nyílásait a készülék fedelén. A kitört nyílás egyenetlenségeit reszelővel korrigálhatja.



26\_02\_05\_0084

- ▶ Furósablont használja a készülék hátfalát.
- ▶ Rögzítse a falhoz a készülék hátfalát megfelelő tiplik és csavarok segítségével.



26\_02\_05\_0085

- ▶ Vezesse be az elektromos bekötővezeték a hátfali átvezető nyíláson.

# FELSZERELÉS

## Szerelés

- ▶ Alul akassza be a készülékfedelelet a fűtésrendszerrel.
- ▶ Pattintsa a fűtésrendszert a csapózárba.
- ▶ Rögzítse a készülékfedelelet a fedélrögzítő-csavarokkal.

### A csaptelep felszerelése

- ▶ Szerelje fel a csaptelepet. Ennek során vegye figyelembe a csaptelep kezelési és telepítési útmutatójában megadott információkat.



#### Anyagi kár

- ▶ Minden csatlakozó szerelésekor a készüléknél 14-es kulcsnyílású kulccsal kell ellentartani.

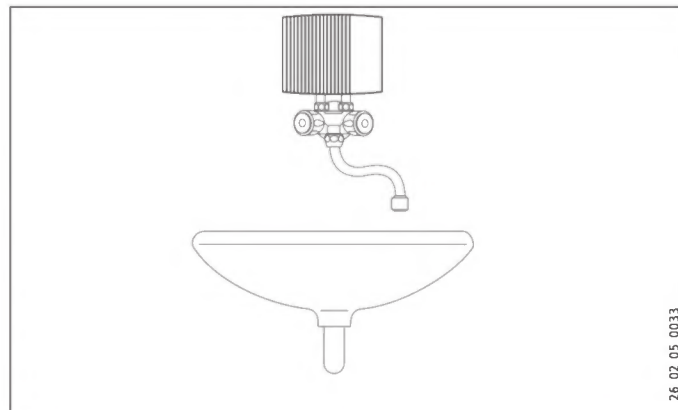
### Nyomásálló csaptelep



#### Tudnivaló

- ▶ Szerelje fel a készülékkel együtt leszállított 3/8-os csatlakozótömlőt és a 3/8-os T-idomot.

### 10.2.2 Pult feletti, nyomásmentes szerelés, nyomásmentes csapteleppel



### A csaptelep felszerelése

- ▶ Szerelje fel a csaptelepet. Ennek során vegye figyelembe a csaptelep kezelési és telepítési útmutatójában megadott információkat.



#### Anyagi kár

- ▶ Minden csatlakozó szerelésekor a készüléknél 14-es kulcsnyílású kulccsal kell ellentartani (lásd a „Felszerelési variációk / Pult alatti szerelés“ c. fejezetet).

# FELSZERELÉS

## Szerelés

### A készülék felszerelése

- ▶ Szerelje fel a készüléket a vízcsatlakozókkal a csaptelepre.

### 10.3 A elektromos csatlakozás kialakítása



#### VESZÉLY Áramütés

Minden elektromos bekötési és szerelési munkát előírás-szerűen kell végezni.



#### VESZÉLY Áramütés

Feltétlenül csatlakoztassa a készüléket a védővezeték-hez!

Összpólusú, legalább 3 mm érintkezőtávolságú megszakítóval kell biztosítani a leválasztás lehetőségét a hálózatról.



#### VESZÉLY Áramütés

A leszállított készülékek elektromos csatlakozóvezeték-ekkel vannak felszerelve (az EIL 3 Premium dugasszal).

A készülék akkor csatlakoztatható fix bekötésű elektromos vezetékhez, ha annak keresztmetszete legalább akkora, mint a készülék szabványos csatlakozóvezetékéé. Maximum 3 x 6 mm<sup>2</sup> keresztmetszetű vezeték használható.

- ▶ Pult feletti szerelés esetén az elektromos bekötővezeték a készülék mögött kell vezetni.



#### Anyagi kár

Védőérintkezős csatlakozóaljzathoz történő csatlakoztatáskor (dugasszal ellátott elektromos bekötővezeték esetén) ügyeljen arra, hogy a készülék felszerelését követően a védőérintkezős csatlakozóaljzat könnyen hozzáférhető legyen.



#### Anyagi kár

Vegye figyelembe a típustáblán szereplő adatokat. A megadott feszültségnek meg kell egyeznie a hálózati feszültséggel.

- ▶ Az elektromos kapcsolási rajz alapján csatlakoztassa az elektromos bekötővezetékét (lásd a „Műszaki adatok / Elektromos kapcsolási rajz“ c. fejezetet).

# FELSZERELÉS

## Üzembe helyezés

### 11. Üzembe helyezés

#### 11.1 Első üzembe helyezés



- ▶ Töltse fel a készüléket a csaptelep szelepének többszöri megnyitásával, eltávolítva az összes levegőt a vezetékhalózatból és a készülékből.
- ▶ Ellenőrizze a rendszer tömítettségét.
- ▶ Dugja be az elektromos bekötővezeték dugaszát (ha van) a a védőérintkezős csatlakozóaljzatba vagy kapcsolja be az automata biztosítót.
- ▶ Ellenőrizze a készülék működését.
- ▶ Pult feletti szerelésnél a a készletben található céges logót rá kell ragasztani a készüléken lévőre, eltakarva azt.

#### 11.2 A készülék átadása

- ▶ Magyarozza el a felhasználónak a készülék működését és ismertesse meg vele annak használatát.
- ▶ Figyelmeztesse a felhasználót az esetleges veszélyekre, különösen a leforrázás veszélyére.
- ▶ Adja át ezt az útmutatót.

#### 11.3 Újbóli üzembe helyezés



##### Anyagi kár

A vízellátás szüneteltetését követően a készüléket az alábbi lépésekkel kell újból üzembe helyezni, nehogy a csupaszdrtótos fűtésrendszer megrongálódjon.

- ▶ Kapcsolja le a feszültséget a készülékről. Ehhez húzza ki az elektromos bekötővezeték duaszát (ha van) vagy kapcsolja ki az automata biztosítót.
- ▶ Lásd az „Első üzembe helyezés” c. fejezetet.

#### 11.4 Beállítások

A térfogatáram és a hőmérséklet maximális értéke módosítható.



##### VESZÉLY Áramütés

A térfogatáram és a hőmérséklet beállítása csak a készülék hálózatról való leválasztását követően végezhető el.

- ▶ Válassza le a készüléket összpólusúan a hálózatról.

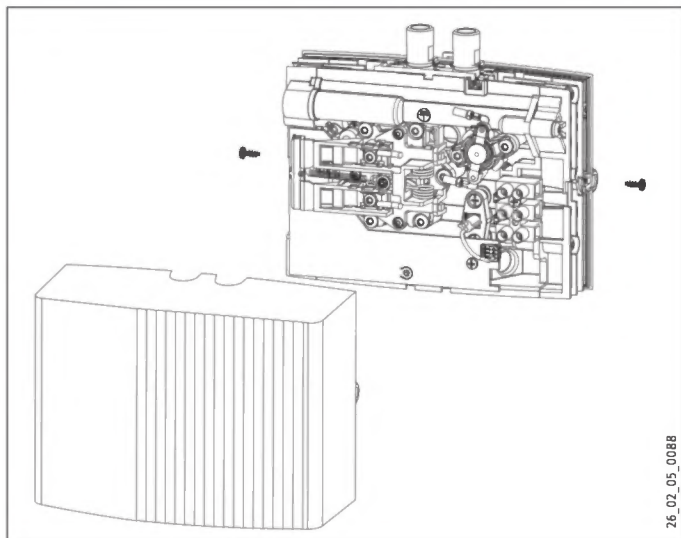


##### VESZÉLY Áramütés

A térfogatáram állítócsavarja és a hőmérséklet-beállítás potenciómétere vezeti az áramot, ha a készülék nincs a hálózatról leválasztva.

## FELSZERELÉS

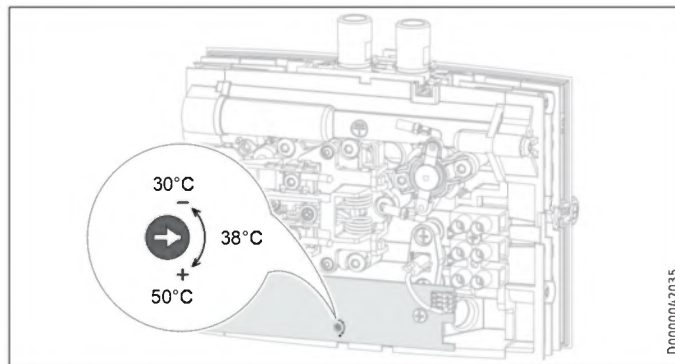
### Üzembe helyezés



- ▶ Vegye le a készülék fedelét.

### A maximális hőmérséklet beállítása

Gyári beállítás: 38 °C

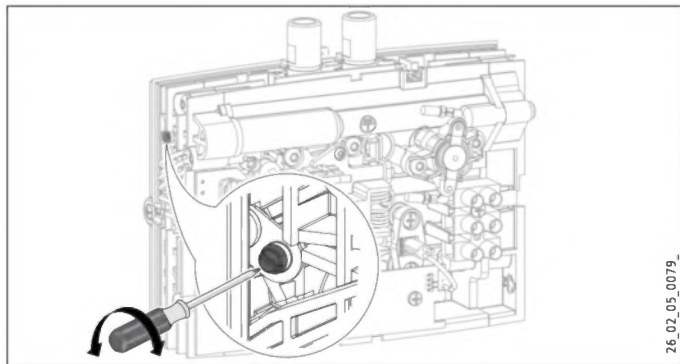


- ▶ Csavarhúzóval állítsa a potenciómétert a kívánt maximális hőmérsékletre.
- ▶ Szerelje fel a készülék fedelét.



### A térfogatáram behatárolása

Gyári beállítás: Maximális térfogatáram



- ▶ Az állítócsavar segítségével állítsa be a kívánt térfogatáramot:
- Legkisebb térfogatáram = a csavar ütközésig becsavarva.
- Legnagyobb térfogatáram = a csavar ütközésig kicsavarva.
- ▶ Szerelje fel a készülék fedelét.

## 12. Üzemen kívül helyezés

- ▶ Válassza le a készüléket a hálózatról a ház automata biztosítójának kikapcsolásával vagy húzza ki az elektromos bekötővezeték dugaszát.
- ▶ Ürítse le a készüléket (lásd a „Karbantartás“ fejezetet).

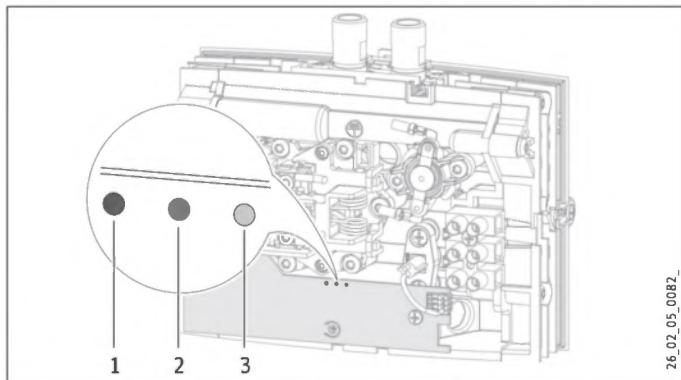
## 13. Üzemzavar-elhárítás

Probléma	Ok	Elhárítás
A készülék még akkor sem kapcsolódik be, ha teljesen meg van nyitva a melegvíz-csap.	A csapterlep sugárszabályzója elvízkövesedett vagy elszennyeződött.	Tisztítsa meg és/vagy vízkömentesítse a sugárszabályzót vagy cserélje ki a speciális sugárszabályzót.
A térfogatáram túl alacsony értékre van beállítva.		Állítsa nagyobbra a térfogatáramot.
A hidegvíz-vezeték szűrője eltömődött.		Tisztítsa ki a szűrőt; ehhez zárja el a hidegvíz bekötővezetékét.
A fűtőrendszer meghibásodott.		Mérje meg a fűtőrendszer ellenállását, és szükség esetén cserélje ki a készüléket.
A biztonsági nyomáshatároló kioldott.		Szüntesse meg a hiba okát. Válassza le a készüléket az elektromos hálózatról és nyomásmentesítse a vízvezetékét. Aktiválja a biztonsági nyomáshatárolót.
A víz hőmérséklete nem éri el a kívánt értéket.	A készülék a teljesítményhatáron üzemel.	Csökkentse a térfogatáramot.

# FELSZERELÉS

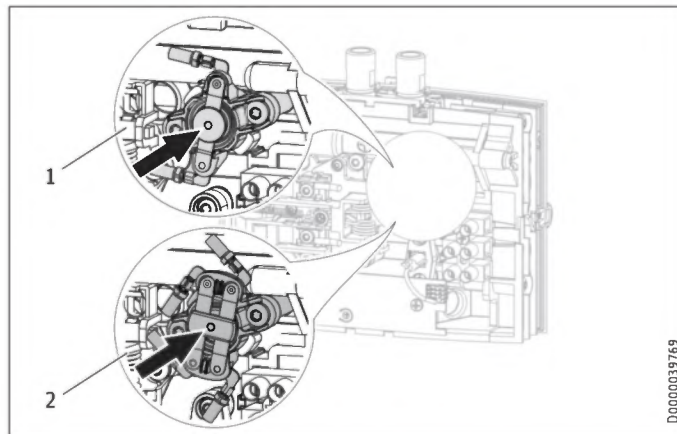
## Üzemzavar-elhárítás

### Világító diódás kijelző



- 1 Üzemzavar esetén a kijelző piros
- 2 A fűtési üzemmódban a kijelző sárga
- 3 Amikor az elektronika kap áramot, a kijelző zölden villog

### A biztonsági nyomáshatároló aktiválása



- 1 1 pólusú biztonsági nyomáshatároló - EIL 4 Premium / EIL 6 Premium
- 2 2 pólusú biztonsági nyomáshatároló - EIL 3 Premium / EIL 7 Premium

### 14. Karbantartás



#### VESZÉLY Áramütés

Bármilyen munkavégzést megelőzően a készüléket ösz-szólusúan le kell választani az elektromos hálózatról!

#### 14.1 A készülék ürítése



#### Leforrzás VESZÉLYE

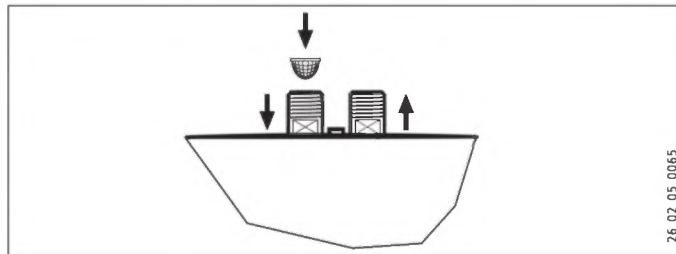
Ürítéskor a készülékből forró víz folyhat ki.

A következőképpen kell eljárni, amennyiben a készüléket karban-tartás vagy fagyvédelem céljából le kell üríteni:

- ▶ Zárja el a hidegvíz-bekötővezeték zárószelepét.
- ▶ Nyissa ki a vízvételi szelepet.
- ▶ Szerelje le a vízcsatlakozásokat a készülékről.

#### 14.2 A szűrő tisztítása

A beépített szűrőt a hidegvíz-bekötővezeték kiserelését követően lehet tisztítani.



26\_02\_05\_0065\_

#### 14.3 A VDE 0701/0702 szerinti vizsgálatok

##### A védővezeték ellenőrzése

- ▶ Vizsgálja meg a védővezetékét (Németországban pl. DGUV A3) a készülék elektromos bekötővezetékének védőve-zeték-érintkezőjénél és a készülék csatlakozócsonkjánál.

# FELSZERELÉS

## Műszaki adatok

### Szigetelési ellenállás

Mivel ez a készülék elektronikus működtetésű, ezért a VDE 0701/0702 szabvány szerinti szigetelésiellenállás-mérés nem kivitelezhető.

- ▶ A szigetelés hatékonyságának ellenőrzéséhez javasoljuk, hogy mérje meg a védővezetékben folyó áram, illetve a szivárgó áram különbségét a VDE 0701/0702 (C.3b. ábra) szabvány szerint.

### 14.4 A készülék tárolása

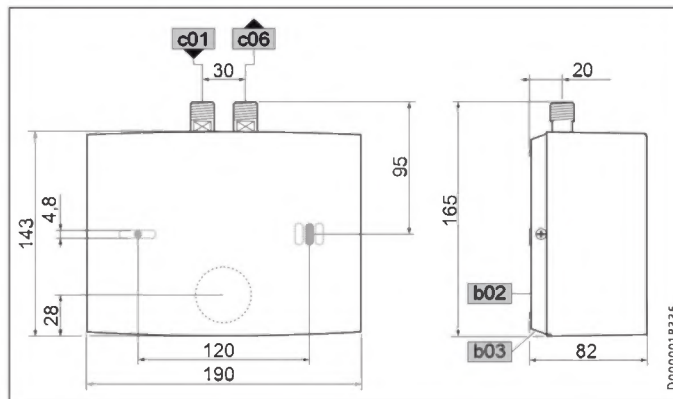
- ▶ A készüléket leszerelt állapotban is kizárólag fagymentes helyen tárolja, mivel a berendezésben található maradékvíz is károkat okozhat.

### 14.5 Az elektromos bekötővezeték cseréje az EIL 6 Premium esetén

- ▶ Az EIL 6 Premium típusnál az elektromos bekötővezeték cseréjéhez 4 mm<sup>2</sup> keresztmetszetű elektromos bekötővezeték kell használni.

## 15. Műszaki adatok

### 15.1 Méretek és csatlakozók



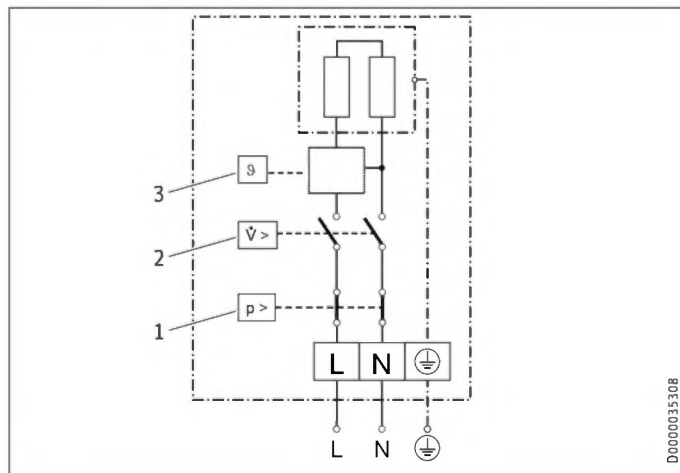
b02	Elektr. vezetékek átvezetése I		
b03	Elektr. vezetékek átvezetése II		
c01	Hidegvíz-bevezetés	Külső menet	G 3/8 A
c06	Melegvíz-kifolyás	Külső menet	G 3/8 A

# FELSZERELÉS

## Műszaki adatok

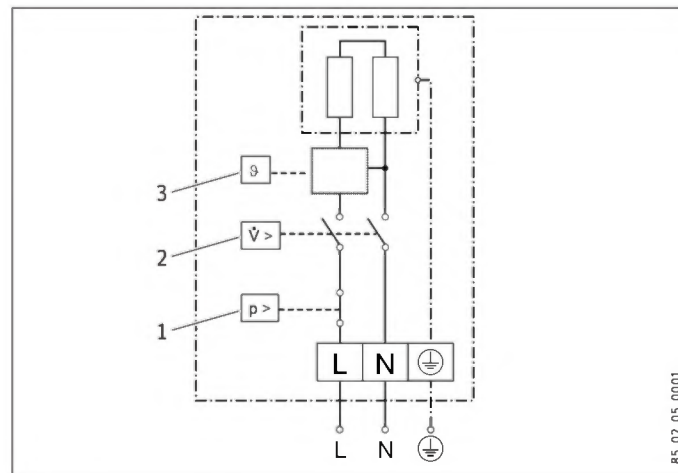
### 15.2 Elektromos kapcsolási rajz

#### 15.2.1 EIL 3 Premium 1/N/PE ~ 200-240 V



- 1 Biztonsági nyomáshatároló
- 2 Nyomáskülönbség-kapcsoló
- 3 Elektronika kiömlési hőmérséklet érzékelővel

#### 15.2.2 EIL 4 Premium és EIL 6 Premium 1/N/PE ~ 200-240 V



- 1 Biztonsági nyomáshatároló
- 2 Nyomáskülönbség-kapcsoló
- 3 Elektronika kiömlési hőmérséklet érzékelővel



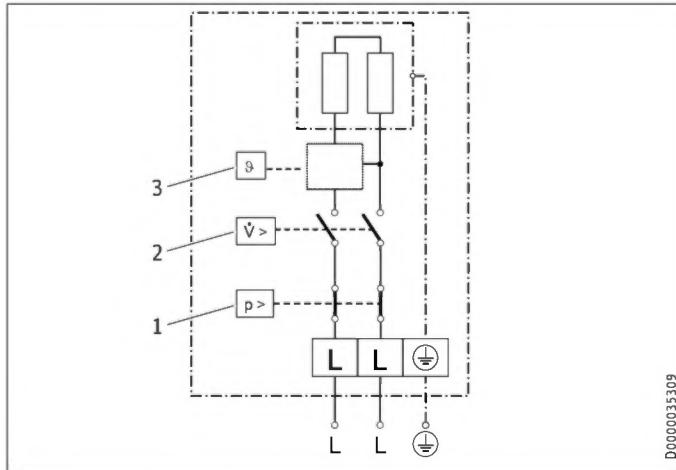
#### Anyagi kár

- Fix bekötés esetén a csatlakozóhévely kapocsjelölése alapján csatlakoztassa az elektromos bekötővezetékét.

# FELSZERELÉS

## Műszaki adatok

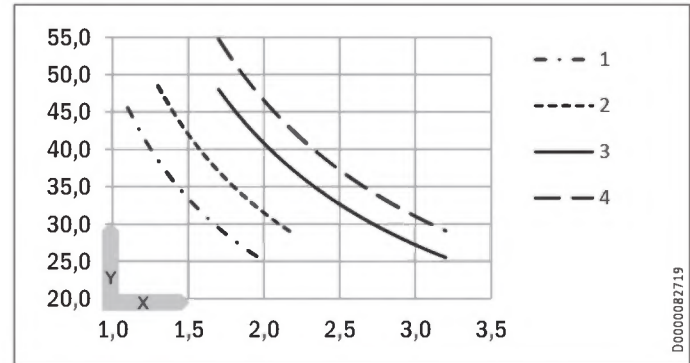
### 15.2.3 EIL 7 Premium 2/PE ~ 380-400 V



- 1 Biztonsági nyomáshatároló
- 2 Nyomáskülönbség-kapcsoló
- 3 Elektronika kiömlési hőmérséklet érzékelővel

### 15.3 Hőmérséklet-növelés

230 V-os / 400 V-os feszültség a víz következő hőmérséklet-növekedései adódnak:



X Térfogatáram, l/perc  
Y Hőmérséklet-növekedés, K

- 1 3,5 kW - 230 V
- 2 4,4 kW - 230 V
- 3 5,7 kW - 230 V
- 4 6,5 kW - 400 V

Például az EIL 3 Premium típusnál, 3,5 kW teljesítmény esetén

Térfogatáram	l/perc	2,0
Hőmérséklet-növelés	K	25
Hideg víz beömlési hőmérséklet	°C	12
Maximális elérhető kiömlési hőmérséklet	°C	37

# FELSZERELÉS

## Műszaki adatok

### 15.4 Alkalmazási területek

Fajlagos elektromos ellenállás és fajlagos elektromos vezetőképesség (lásd az „Adattáblázat” c. fejezetet).

Szabványos érték 15 °C-on			20 °C			25 °C		
Spec. Ellenállás, $\rho \geq$	Spec. Vezetőképesség $\sigma \leq$	Spec. Vezetőképesség $\sigma \leq$	Spec. Ellenállás, $\rho \geq$	Spec. Vezetőképesség $\sigma \leq$	Spec. Vezetőképesség $\sigma \leq$	Spec. Ellenállás, $\rho \geq$	Spec. Vezetőképesség $\sigma \leq$	Spec. Vezetőképesség $\sigma \leq$
$\Omega\text{cm}$	$\text{mS/m}$	$\mu\text{S/cm}$	$\Omega\text{cm}$	$\text{mS/m}$	$\mu\text{S/cm}$	$\Omega\text{cm}$	$\text{mS/m}$	$\mu\text{S/cm}$
1000	100	1000	890	112	1124	815	123	1227
1300	77	769	1175	85	851	1072	93	933

### 15.5 Energiafogyasztási adatok

Termék-adatlap: Hagyományos vízmelegítő a 812/2013/EU - 814/2013/EU rendelet előírásai szerint

	EIL 3 Premium 200134	EIL 4 Premium 200135	EIL 6 Premium 200136	EIL 7 Premium 200137
Gyártó	STIEBEL ELTRON	STIEBEL ELTRON	STIEBEL ELTRON	STIEBEL ELTRON
Terhelési profil	XXS	XXS	XXS	XS
Energiahatékonysági osztály	A	A	A	A
Energetikai hatásfok	%	39	38	39
Éves villamosenergia-fogyasztás	kWh	478	478	467
Gyárilag beállított hőmérsékletérték	°C	38	38	38
Hangteljesítményszint	dB(A)	15	15	15
A hatékonyság mérésére vonatkozó különleges tudnivalók	nincs	nincs	nincs	nincs
Napi villamosenergia-fogyasztás	kWh	2,200	2,200	2,130

# FELSZERELÉS

## Műszaki adatok

### 15.6 Adattáblázat

		EIL 3 Premium				EIL 4 Premium				EIL 6 Premium				EIL 7 Premium	
		200134				200135				200136				200137	
<b>Elektromos adatok</b>															
Névleges feszültség	V	200	220	230	240	200	220	230	240	200	220	230	240	380	400
Névleges teljesítmény	kW	2,7	3,2	3,53	3,8	3,3	4,0	4,4	4,8	4,3	5,2	5,7	6,2	5,9	6,5
Névleges áram	A	13,3	14,5	15,2	15,8	16,7	18,2	19,1	20,0	21,6	23,6	24,7	25,8	15,5	16,3
Biztosíték	A	16				20				25	25	25	32	16	20
Frekvencia	Hz	50/60				50/60				50/60				50/-	50/-
Fázisok		1/N/PE				1/N/PE				1/N/PE				2/PE	2/PE
Fajlagos ellenállás $\rho_{15} \geq (\vartheta_{\text{hidegvíz}} \leq 25 \text{ °C}$ esetén)	$\Omega$ cm	1000				1000				1000				1000	1000
Fajlagos vezetőképesség $\sigma_{15} \leq (\vartheta_{\text{hidegvíz}} \leq 25 \text{ °C}$ esetén)	$\mu\text{S/cm}$	1000				1000				1000				1000	1000
Fajlagos ellenállás $\rho_{15} \geq (\vartheta_{\text{hidegvíz}} > 25 \text{ °C}$ esetén)	$\Omega$ cm	1300				1300				1300				1300	1300
Fajlagos vezetőképesség $\sigma_{15} \leq (\vartheta_{\text{hidegvíz}} > 25 \text{ °C}$ esetén)	$\mu\text{S/cm}$	770				770				770				770	770
Max. hálózati impedancia 50 Hz esetén	$\Omega$	0,083	0,079	0,076		0,065	0,063	0,06		0,049	0,047	0,045		0,236	0,225
<b>Csatlakozók</b>															
Vízcsatlakozó		G 3/8 A				G 3/8 A				G 3/8 A				G 3/8 A	G 3/8 A
<b>Alkalmazási határértékek</b>															
Megengedett max. nyomás	MPa	1				1				1				1	1
Max. beömlési hőmérséklet utólagos felmelegítéshez	$^{\circ}\text{C}$	50				50				50				50	50
<b>Értékek</b>															
Megengedett max. bömlési hőmérséklet	$^{\circ}\text{C}$	55				55				55				55	55
A melegvíz hőmérséklet-beállítási tartománya	$^{\circ}\text{C}$	30-50				30-50				30-50				30-50	30-50
Be	l/perc	> 1,5				> 1,8				> 2,2				> 2,2	> 2,2



# FELSZERELÉS

## Műszaki adatok

		EIL 3 Premium	EIL 4 Premium	EIL 6 Premium	EIL 7 Premium
Nyomásesés adott térfogatáram esetén	MPa	0,05	0,06	0,07	0,07
Térfogatáram adott nyomásesés esetén	l/perc	1,5	1,8	2,2	2,2
Térfogatáram-határolási érték	l/perc	2,0	2,2	3,2	3,2
Melegvíz-előállítási kapacitás	l/perc	2,0	2,2	3,2	3,7
$\Delta\theta$ a fenti kapacitás esetén	K	25	25	25	25
<b>Hidraulikai adatok</b>					
Névleges úrtartalom	l	0,1	0,1	0,1	0,1
<b>Kiviteli változatok</b>					
Pult fölé szerelhető változat		X	X	X	X
Pult alá szerelhető változat		X	X	X	X
Nyílt rendszerű		X	X	X	X
Zárt kivitel		X	X	X	X
Védettségi osztály		1	1	1	1
Szigetelőblokk		Műanyag	Műanyag	Műanyag	Műanyag
A fűtőrendszer fűtőberendezése		Csupaszdrót	Csupaszdrót	Csupaszdrót	Csupaszdrót
Fedél és hátlap		Műanyag	Műanyag	Műanyag	Műanyag
Szín		fehér	fehér	fehér	fehér
Védettség (IP)		IP25	IP25	IP25	IP25
<b>Méretek</b>					
Magasság	mm	143	143	143	143
Szélesség	mm	190	190	190	190
Mélység	mm	82	82	82	82
A csatlakozókábel hossza	mm	700	700	700	700
<b>Súlyadatok</b>					
Súly	kg	1,5	1,5	1,5	1,5



### Tudnivaló

A készülék megfelel az IEC 61000-3-12 előírásainak.

## Garancia

A Németországon kívül vásárolt készülékekre nem érvényesek cégünk németországi vállalatának garanciális feltételei. Az olyan országokban, amelyekben termékeinket egy leányvállalatunk terjeszti, a garanciát elsősorban a leányvállalatunk biztosítja. Garancia csak akkor nyújtható, ha az adott leányvállalat kiadta saját garanciális feltételeit. Azon felül semmilyen garanciát nem nyújtunk.

Az olyan készülékekre nem tudunk garanciát biztosítani, amelyek olyan országokban vásároltak meg, amelyekben nincs leányvállalatunk. Ezek a rendelkezések nem érintik az importőr által biztosított esetleges garanciát.

## Környezetvédelem és újrahaznosítás

Kérjük, segítsen a környezet védelmében. Használat után az anyagokat a helyi hatósági előírások szerint kell hulladékba juttatni.

**СПЕЦИАЛЬНЫЕ УКАЗАНИЯ****ЭКСПЛУАТАЦИЯ**

<b>1. Общие указания</b>	<b>205</b>
1.1 Указания по технике безопасности	205
1.2 Другие обозначения в данной документации	206
1.3 Единицы измерения	206
<b>2. Техника безопасности</b>	<b>207</b>
2.1 Использование по назначению	207
2.2 Общие указания по технике безопасности	207
2.3 Знак технического контроля	208
<b>3. Описание устройства</b>	<b>208</b>
<b>4. Настройки</b>	<b>209</b>
<b>5. Чистка, уход и техническое обслуживание</b>	<b>209</b>
<b>6. Поиск и устранение проблем</b>	<b>210</b>

**УСТАНОВКА**

<b>7. Техника безопасности</b>	<b>210</b>
7.1 Общие указания по технике безопасности	210
7.2 Предписания, стандарты и положения	211
<b>8. Описание устройства</b>	<b>211</b>
8.1 Комплект поставки	211
8.2 Принадлежности	211
<b>9. Подготовительные мероприятия</b>	<b>212</b>
<b>10. Монтаж</b>	<b>212</b>
10.1 Место монтажа	212
10.2 Варианты монтажа	213

10.3 Подключение к сети электропитания	216
<b>11. Ввод в эксплуатацию</b>	<b>217</b>
11.1 Первый ввод в эксплуатацию	217
11.2 Передача устройства	217
11.3 Повторный ввод в эксплуатацию	217
11.4 Настройки	217
<b>12. Вывод из эксплуатации</b>	<b>219</b>
<b>13. Поиск и устранение неисправностей</b>	<b>219</b>
<b>14. Техническое обслуживание</b>	<b>221</b>
14.1 Опорожнение прибора	221
14.2 Чистка сетчатого фильтра	221
14.3 Проверки согласно VDE 0701/0702	221
14.4 Хранение прибора	222
14.5 Замена электрического соединительного провода EIL 6 Premium	222
<b>15. Технические характеристики</b>	<b>222</b>
15.1 Размеры и подключения	222
15.2 Электрическая схема	223
15.3 Повышение температуры	224
15.4 Рабочие диапазоны	225
15.5 Характеристики энергопотребления	226
15.6 Таблица параметров	227

**ГАРАНТИЯ****ЗАЩИТА ОКРУЖАЮЩЕЙ СРЕДЫ И УТИЛИЗАЦИЯ**

## СПЕЦИАЛЬНЫЕ УКАЗАНИЯ

- Детям старше 3 лет, а также лицам с ограниченными физическими, сенсорными и умственными способностями, не имеющим опыта и не владеющим информацией о приборе, разрешено использовать прибор только под присмотром других лиц или после соответствующего инструктажа о правилах безопасного пользования и потенциальной опасности в случае несоблюдения этих правил. Не допускать шалостей детей с прибором. Дети могут выполнять чистку прибора и те виды технического обслуживания, которые обычно производятся пользователем, только под присмотром взрослых.
- Смеситель может нагреваться до температуры 55 °С. При температуре воды на выходе выше 43 °С существует опасность обваривания.
- Прибор должен отключаться от сети с размыканием всех контактов на всех полюсах и изолированием на расстоянии не менее 3 мм.
- Напряжение сети должно совпадать с указанным на табличке.
- Прибор должен быть подключен к стационарной электрической разводке, за исключением варианта EIL 3 Premium.
- При повреждении кабеля питания или необходимости его замены выполнять эти работы должен только специалист, уполномоченный производителем, и только с использованием оригинального кабеля.

- Закрепить прибор, как описано в главе «Установка / Монтаж».
- Убедиться, что давление соответствует максимально допустимому (см. главу «Установка / Технические характеристики / Таблица параметров»).
- Удельное электрическое сопротивление воды не должно быть ниже указанного на заводской табличке (см. главу «Установка / Технические характеристики / Таблица параметров»).
- При опорожнении прибора следовать указаниям главы «Установка / Техническое обслуживание / Опорожнение прибора».

## ЭКСПЛУАТАЦИЯ

### 1. Общие указания

Глава «Эксплуатация» предназначена для пользователя и специалиста.

Глава «Установка» предназначена для специалиста.



#### Указание

Перед началом эксплуатации следует внимательно прочитать данное руководство и сохранить его. При необходимости передать настоящее руководство следующему пользователю.

### 1.1 Указания по технике безопасности

#### 1.1.1 Структура указаний по технике безопасности



#### СИГНАЛЬНОЕ СЛОВО Вид опасности




Здесь приведены возможные последствия несоблюдения указания по технике безопасности.

► Здесь приведены мероприятия по предотвращению опасности.

# ЭКСПЛУАТАЦИЯ

## Общие указания

### 1.1.2 Символы, вид опасности

Символ	Вид опасности
	Травма
	Поражение электрическим током
	Ожог (ожог, обваривание)

### 1.1.3 Сигнальные слова

СИГНАЛЬНОЕ СЛОВО	Значение
ОПАСНОСТЬ	Указания, несоблюдение которых приводит к серьезным травмам или к смертельному исходу.
ПРЕДУПРЕЖДЕНИЕ	Указания, несоблюдение которых может привести к серьезным травмам или к смертельному исходу.
ОСТОРОЖНО	Указания, несоблюдение которых может привести к травмам средней тяжести или к легким травмам.

### 1.2 Другие обозначения в данной документации



#### Указание

Указания ограничиваются горизонтальными линиями над текстом и под ним. Общие указания обозначены приведенным рядом с ними символом.

- ▶ Внимательно прочитайте тексты указаний.

Символ



Материальный ущерб  
(повреждение прибора, косвенный ущерб и ущерб окружающей среде)



Утилизация устройства

- ▶ Этот символ указывает на необходимость выполнения определенных действий. Описание необходимых действий приведено шаг за шагом.

### 1.3 Единицы измерения



#### Указание

При отсутствии иных указаний все размеры приведены в миллиметрах.

## 2. Техника безопасности

### 2.1 Использование по назначению

Прибор предназначен для бытового использования. Для его безопасного обслуживания пользователю не требуется проходить инструктаж. Возможно использование прибора не только в быту, но и, например, на предприятиях малого бизнеса при условии соблюдения тех же условий эксплуатации.

Прибор предназначен для нагрева холодной воды или дополнительного подогрева воды, нагретой ранее. Прибор предназначен для умывальника.

Любое иное или не указанное в настоящем руководстве использование данного устройства считается использованием не по назначению. Использование по назначению подразумевает соблюдение требований настоящего руководства, а также руководств к используемым принадлежностям.

### 2.2 Общие указания по технике безопасности



**ОПАСНОСТЬ** обваривание  
Смеситель может нагреваться до температуры 55 °С.  
При температуре воды на выходе выше 43 °С существует опасность обваривания.



**ПРЕДУПРЕЖДЕНИЕ** травма  
Детям старше 3 лет, а также лицам с ограниченными физическими, сенсорными и умственными способностями, не имеющим опыта и не владеющим информацией о приборе, разрешено использовать прибор только под присмотром других лиц или после соответствующего инструктажа о правилах безопасного пользования и потенциальной опасности в случае несоблюдения этих правил. Не допускать шалостей детей с прибором. Дети могут выполнять чистку прибора и те виды технического обслуживания, которые обычно производятся пользователем, только под присмотром взрослых.



**ОПАСНОСТЬ** поражение электрическим током  
Замену поврежденного кабеля электропитания разрешается производить только специалисту. Это позволит исключить потенциальную опасность.



### Материальный ущерб

Прибор и смеситель необходимо защитить от мороза.



### Материальный ущерб

Использовать только входящий в комплект поставки регулятор струи. Не допускать образования отложений накипи в изливах арматуры (см. главу «Очистка, уход и техническое обслуживание»).

## 2.3 Знак технического контроля



Евразийское соответствие

Данный прибор соответствует требованиям безопасности технического регламента Таможенного союза и прошел соответствующие процедуры подтверждения соответствия.

См. заводскую табличку на приборе.

## 3. Описание устройства

Компактный проточный водонагреватель с электронным регулированием поддерживает в пределах своей мощности постоянную температуру воды на выходе независимо от температуры на входе.

Прибор имеет заводскую установку температуры воды на выходе, необходимой для мытья рук. При достижении заданной температуры электронный модуль автоматически снижает мощность. Производительность регулируется так, чтобы не превышалась желаемая температура.

Прибор нагревает воду непосредственно у точки отбора, включаясь в момент открывания арматуры. Малая длина трубопровода до точки отбора обеспечивает низкий уровень потерь энергии и воды.

Производительность подготовки горячей воды зависит от температуры холодной воды, мощности нагрева и расхода.

Нагревательная система с нагревательным элементом открытого типа пригодна как для мягкой, так и для жесткой воды. Такая система менее восприимчива к образованию накипи. Она быстро и эффективно обеспечивает умывальник горячей водой.

Максимальные значения температуры и объемного расхода могут быть настроены специалистом (см. главу «Ввод в эксплуатацию / Настройки»).



Оптимальную струю воды можно получить, установив прилагаемый специальный регулятор струи.

#### 4. Настройки

Как только будет открыт кран горячей воды на арматуре или сработает датчик арматуры, в приборе автоматически включится система нагрева. Начнется нагрев воды. Изменить температуру воды можно с помощью смесителя.

Объем, необходимый для включения прибора, и ограничение объемного расхода см. главу «Технические характеристики».

##### **Повысить температуру**

- ▶ Снизить расход воды, прикрыв кран смесителя.

##### **Снизить температуру**

- ▶ Приоткрыть кран или добавить холодную воду.

##### **После отключения подачи воды**

См. главу «Ввод в эксплуатацию / Повторный ввод в эксплуатацию».

#### 5. Чистка, уход и техническое обслуживание

- ▶ Не использовать абразивные или едкие чистящие средства. Для ухода за прибором и очистки корпуса достаточно влажной тканевой салфетки.
- ▶ Необходимо регулярно проверять смесители. Известковые отложения на изливе смесителя можно удалить с помощью имеющихся в продаже средств для удаления накипи.
- ▶ Безопасность электрической части должен регулярно проверять специалист.
- ▶ Необходимо регулярно удалять накипь или производить замену специального регулятора струи на арматуре (см. главу «Описание прибора / Принадлежности»).

### 6. Поиск и устранение проблем

Проблема	Причина	Способ устранения
Прибор не включается, несмотря на полностью открытый кран горячей воды.	На приборе отсутствует напряжение.	Проверить предохранители электрической сети в здании.
	Регулятор струи в смесителе заизвесткован или загрязнен.	Очистить регулятор струи и / или удалить из него накипь либо заменить специальный регулятор струи.
Не достигнута желаемая температура.	Водоснабжение отключено.	Удалить воздух из прибора и трубопровода подачи холодной воды (см. главу «Настройки»).
	На приборе установлено слишком низкое значение максимальной температуры.	Поручить специалисту повторно настроить максимальную температуру.
	Прибор работает на пределе мощности.	Уменьшить объемный расход.

Если невозможно устранить эту неисправность самостоятельно, нужно пригласить специалиста. Чтобы специалист смог оперативно помочь, необходимо сообщить ему номер прибора с заводской таблички (000000-0000-000000).

●	●
Модель: <input type="text" value="EIL..."/>	Номер E: <input type="text" value="000000"/>
Номер F: <input type="text" value="0000-00000"/>	

## УСТАНОВКА

### 7. Техника безопасности

Установка, ввод в эксплуатацию, а также техническое обслуживание и ремонт прибора должны производиться только квалифицированным специалистом.

#### 7.1 Общие указания по технике безопасности

Безупречная работа и эксплуатационная безопасность прибора гарантируются только при использовании соответствующих оригинальных принадлежностей и оригинальных запчастей.



#### Материальный ущерб

Необходимо соблюдать максимально допустимую температуру поступающей холодной воды. При более высоких температурах подачи возможно повреждение прибора. Температуру подаваемой воды можно ограничить, установив центральный термостатический смеситель.



**ПРЕДУПРЕЖДЕНИЕ** поражение электрическим током

В настоящем приборе имеются конденсаторы, которые разряжаются после отключения от сети электропитания. Напряжение разряда конденсатора может в ряде случаев кратковременно превышать уровень 34 В пост. тока.

## 7.2 Предписания, стандарты и положения



**Указание**

Необходимо соблюдать все национальные и региональные предписания и положения.

Удельное электрическое сопротивление воды не должно быть ниже указанного на заводской табличке! Если речь идет об объединенной системе водоснабжения, необходимо учитывать наименьшее электрическое сопротивление воды (см. главу «Технические характеристики / Таблица параметров»). Выяснить удельное электрическое сопротивление или электропроводность воды на предприятии водоснабжения.

## 8. Описание устройства

### 8.1 Комплект поставки

В комплект поставки прибора входят:

- сетчатый фильтр для линии подачи холодной воды,
- специальный регулятор струи
- соединительный шланг 3/8 длиной 500 мм, с уплотнениями,\*
- тройник 3/8,\*
- логотип фирмы для а над раковиной.

\* Для подключения в качестве напорного прибора

### 8.2 Принадлежности

#### Специальный регулятор струи



**Указание**

Оптимальную струю воды можно получить, установив прилагаемый специальный регулятор струи.

## УСТАНОВКА

### Подготовительные мероприятия

#### Смесители

- ▶ Использовать подходящий смеситель.

#### Безнапорные смесители

- MAW (OT) Настенная арматура для а над раковиной
- MAZ (UT) Арматура с двумя ручками для умывальника
- MAE (UTE) Арматура с одной ручкой для умывальника

#### Напорная арматура

Подходящий напорный смеситель можно приобрести в специализированных магазинах.

## 9. Подготовительные мероприятия

- ▶ Тщательно промыть водопроводную систему.

#### Водопроводные работы

Предохранительный клапан не требуется.

## 10. Монтаж

### 10.1 Место монтажа

Устанавливать прибор только в незамерзающем помещении рядом с водоразборной арматурой.

Необходимо обеспечить возможность доступа к боковым винтам крепления крышки.

Прибор подходит для а под раковиной (соединения для подключения воды сверху) и над раковиной (соединения для подключения воды снизу).



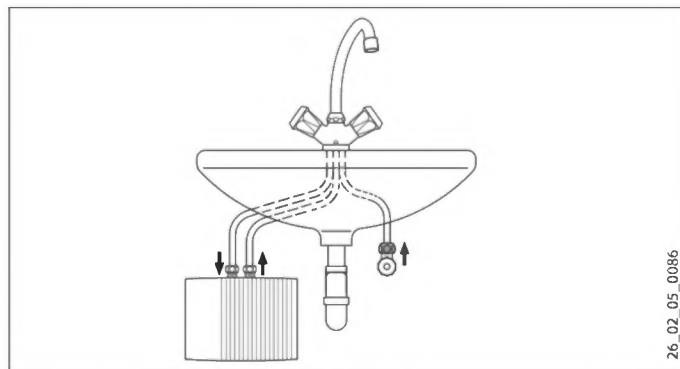
**ОПАСНОСТЬ** поражение электрическим током  
Юстировочный винт для изменения объемного расхода является электропроводящим, степень защиты IP25 указана только для прибора, закрытого задней стенкой.

- ▶ задней стенки прибора является обязательным.

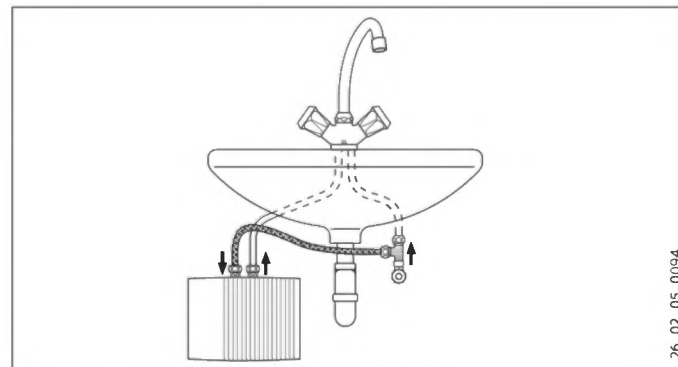
## 10.2 Варианты монтажа

### 10.2.1 Монтаж под раковиной

#### Безнапорный, с безнапорным смесителем



#### Напорный, с напорным смесителем



#### Монтаж прибора

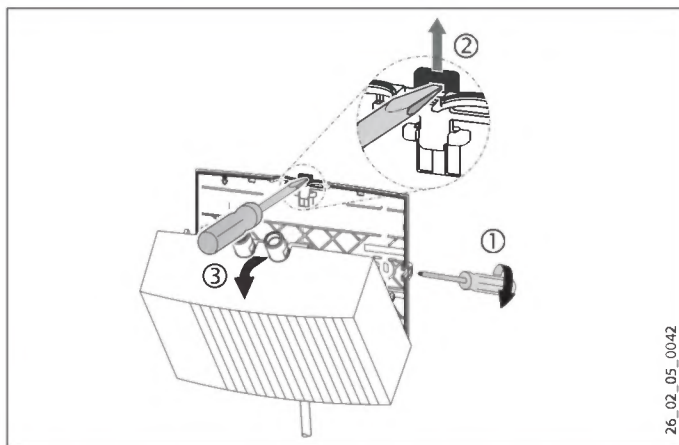


#### Указание

- Смонтировать прибор на стене. Стена должна обладать достаточной несущей способностью.

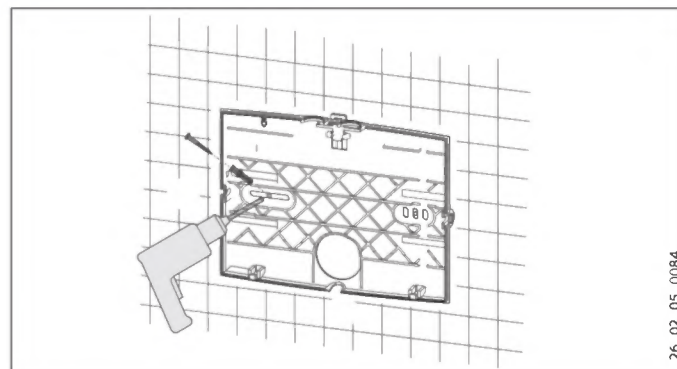
# УСТАНОВКА

## Монтаж



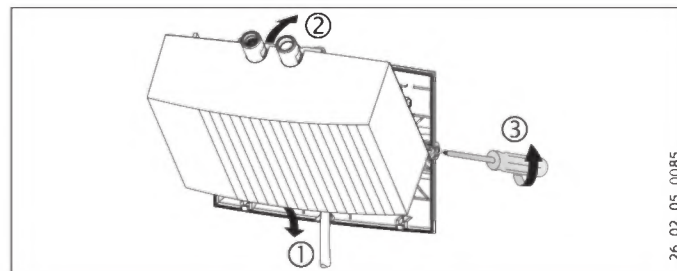
26\_02\_05\_0042

- ▶ Вывернуть винты крепления крышки на два оборота.
- ▶ Разблокировать запор с защелкой при помощи отвертки.
- ▶ Снять по направлению вперед крышку прибора вместе с системой нагрева.
- ▶ С помощью клещей выломать в крышке прибора отверстие для ввода кабеля электропитания. При необходимости обточить контур напильником.



26\_02\_05\_0084

- ▶ В качестве шаблона для сверления следует использовать заднюю стенку прибора.
- ▶ Закрепить заднюю стенку прибора на стене с помощью подходящих дюбелей и винтов.



26\_02\_05\_0085

## УСТАНОВКА

### Монтаж

- ▶ Пропустить кабель электропитания через кабельный ввод в задней стенке.
- ▶ Навесить нижнюю часть крышки прибора вместе с системой нагрева.
- ▶ Зафиксировать систему нагрева с помощью запора с защелкой.
- ▶ Закрепить крышку прибора с помощью соответствующих винтов.

#### Монтаж смесителя

- ▶ Установить смеситель. При этом следует также соблюдать положения инструкции по эксплуатации и установке смесителя.



#### Материальный ущерб

- ▶ При всех соединениях необходимо придерживать прибор гаечным ключом размером 14.

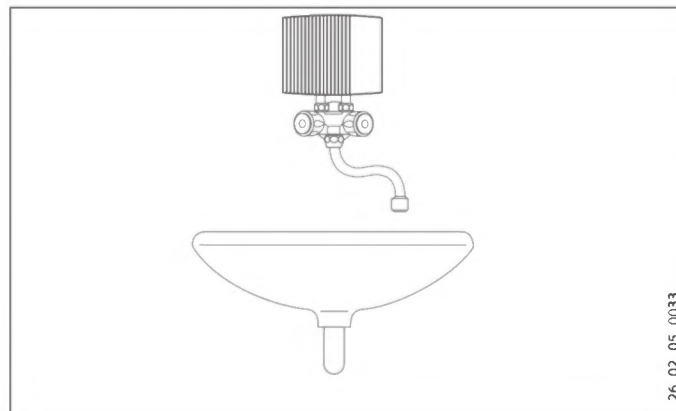
#### Напорные смесители



#### Указание

- ▶ Смонтировать соединительный шланг 3/8, входящий в комплект поставки, и тройник 3/8.

### 10.2.2 Над раковиной, безнапорный, с безнапорной арматурой



#### Монтаж смесителя

- ▶ Установить смеситель. При этом следует также соблюдать положения инструкции по эксплуатации и установке смесителя.



#### Материальный ущерб

- ▶ При всех соединениях необходимо придерживать прибор гаечным ключом размером 14, см. главу «Альтернативные варианты а / под раковиной».

### Монтаж прибора

- ▶ Установить прибор шуцерами для подключения воды на арматуру.

### 10.3 Подключение к сети электропитания



**ОПАСНОСТЬ** поражение электрическим током  
Все работы по электрическому подключению и установке необходимо производить в соответствии с инструкцией.



**ОПАСНОСТЬ** поражение электрическим током  
Проверить подключение прибора к защитному проводу.  
Прибор должен отключаться от сети с размыканием всех контактов на всех полюсах и изолированием на расстоянии не менее 3 мм.



**ОПАСНОСТЬ** поражение электрическим током  
В состоянии на момент поставки приборы оснащены электрическим соединительным проводом (у EIL 3 Premium с вилкой).

Неразъемное подключение допускается, если поперечное сечение сетевого провода не меньше, чем у кабеля электропитания прибора, входящего в серийную комплектацию. Максимально допустимое поперечное сечение провода составляет 3 x 6 мм<sup>2</sup>.

- ▶ При е прибора над раковиной кабель электропитания должен проходить за прибором.



#### Материальный ущерб

При подключении к розетке с защитным контактом (если прибор подключается с помощью соединительного провода с вилкой) после установки прибора доступ к розетке должен оставаться свободным.



#### Материальный ущерб

Следует соблюдать данные на заводской табличке. Напряжение сети должно совпадать с указанным на табличке.

- ▶ Подключить кабель электропитания в соответствии с электрической схемой (см. главу «Технические характеристики / Электрическая схема»).



### 11. Ввод в эксплуатацию

#### 11.1 Первый ввод в эксплуатацию



- ▶ Заполнить прибор, многократно открывая и закрывая арматуру, пока из водопроводной сети и контура прибора не будет удален весь воздух.
- ▶ Выполнить проверку герметичности.
- ▶ Вставить вилку кабеля электропитания, если она имеется, в розетку с защитным контактом или включить автоматический выключатель.
- ▶ Проверить работу прибора.
- ▶ При е над раковиной необходимо наклеить логотип фирмы прилагаемым логотипом.

#### 11.2 Передача устройства

- ▶ Объяснить пользователю принцип работы устройства и ознакомить его с правилами использования устройства.
- ▶ Указать пользователю на возможные опасности, особенно на опасность обваривания.
- ▶ Передать данное руководство.

#### 11.3 Повторный ввод в эксплуатацию



##### Материальный ущерб

После нарушения водоснабжения необходимо снова включить прибор, выполняя описанные далее действия; это поможет избежать повреждения нагревательной системы с открытым нагревательным элементом.

- ▶ Отключить прибор от сети. Для этого нужно извлечь вилку кабеля электропитания, если она имеется, из розетки с защитным контактом или выключить автоматический выключатель.
- ▶ См. главу «Первый ввод в эксплуатацию».

#### 11.4 Настройки

Максимальные значения объемного расхода и температуры можно изменить.



**ОПАСНОСТЬ** поражение электрическим током  
Значения объемного расхода и температуры можно изменить только при полном отключении прибора от электросети.

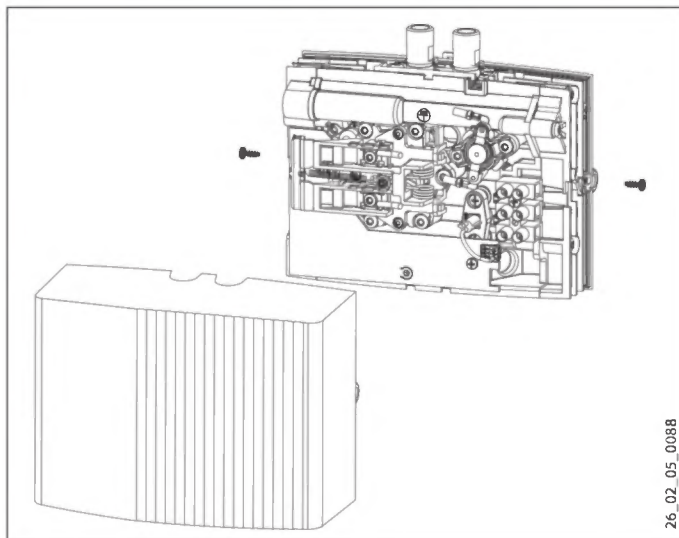
- ▶ Полностью обесточить прибор с размыканием контактов на всех полюсах.

## УСТАНОВКА

### Ввод в эксплуатацию



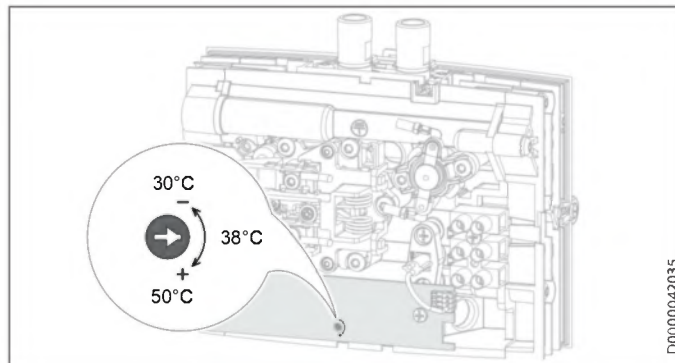
**ОПАСНОСТЬ** поражение электрическим током  
Когда прибор подключен к электросети, юстировочный винт для изменения объемного расхода и потенциометр для изменения температуры находятся под напряжением.



- ▶ Снять крышку прибора.

### Настройка максимальной температуры

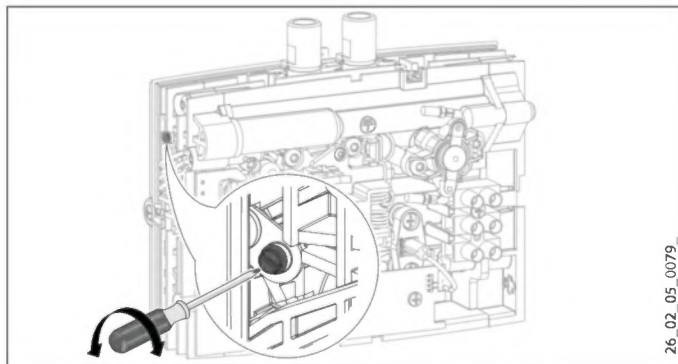
Заводская настройка: 38 °C



- ▶ С помощью отвертки повернуть потенциометр в положение, соответствующее желаемой максимальной температуре.
- ▶ Смонтировать крышку прибора.

### Ограничение объемного расхода

Заводская настройка: Максимальный объемный расход



- ▶ С помощью юстировочного винта задать желаемое значение объемного расхода:
  - Минимальный объемный расход = винт завернут до упора.
  - Максимальный объемный расход = винт вывернут до упора.
- ▶ Смонтировать крышку прибора.

## 12. Вывод из эксплуатации

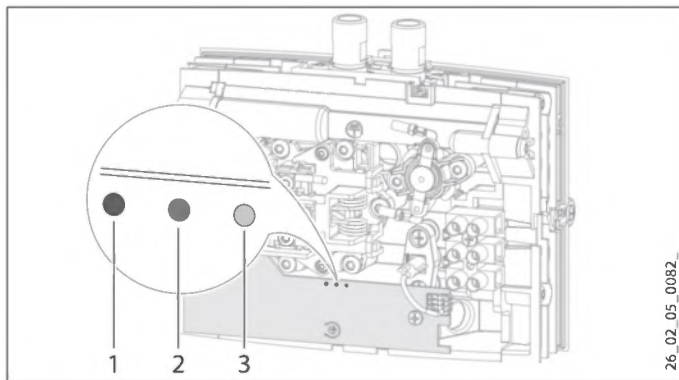
- ▶ Обесточить прибор с помощью предохранителя в электрической сети здания или извлечения вилки кабеля электропитания из розетки.

- ▶ Опорожнить прибор, см. главу «Техническое обслуживание».

## 13. Поиск и устранение неисправностей

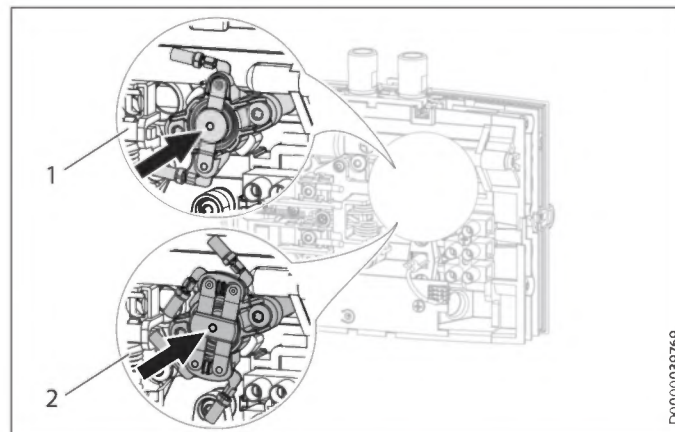
Проблема	Причина	Способ устранения
Прибор не включается, несмотря на полностью открытый кран горячей воды.	Регулятор струи в смесителе заизвесткован или загрязнен.	Очистить регулятор струи и / или удалить из него накипь либо заменить специальный регулятор струи.
Объемный расход имеет слишком низкое значение.		Увеличить объемный расход.
Загрязнен сетчатый фильтр на линии подачи холодной воды.		Прочистить фильтр, предварительно перекрыв подачу холодной воды.
Неисправна нагревательная система.		Измерить сопротивление в системе нагрева; при необходимости заменить прибор.
Сработал предохранительный ограничитель давления.		Устранить причину неисправности. Обесточить прибор и сбросить давление в водопроводе. Активировать предохранительный ограничитель давления.
Не достигнута желаемая температура.	Прибор работает на пределе мощности.	Уменьшить объемный расход.

### Светодиодный индикатор



- 1 Индикатор красный при неисправности
- 2 Индикатор желтый при режиме нагрева
- 3 Индикатор зеленый мигающий при подаче напряжения питания на электронный блок

### Привести в действие предохранительный ограничитель давления



- 1 1-полюсный предохранительный ограничитель давления EIL 4 Premium / EIL 6 Premium
- 2 2-полюсный предохранительный ограничитель давления EIL 3 Premium / EIL 7 Premium

### 14. Техническое обслуживание



**ОПАСНОСТЬ** поражение электрическим током  
При любых работах необходимо полное отключение прибора от сети.

#### 14.1 Опорожнение прибора



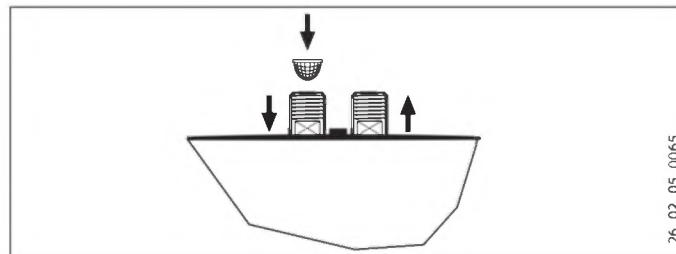
**ОПАСНОСТЬ** обваривание  
При опорожнении прибора из него может вытекать горячая вода.

При необходимости слить воду из прибора для технического обслуживания или защиты всей установки от замерзания следует действовать, как описано ниже.

- ▶ Закрывать запорный клапан в трубопроводе подачи холодной воды.
- ▶ Открыть раздаточный вентиль.
- ▶ Отсоединить трубопроводы подачи воды от прибора.

#### 14.2 Чистка сетчатого фильтра

Встроенный сетчатый фильтр можно прочистить после деаэрации трубопровода холодной водой.



26\_02\_05\_0065\_

РУССКИЙ

#### 14.3 Проверки согласно VDE 0701/0702

##### Проверка провода заземления

- ▶ Проверить заземление (в Германии, например, согласно DGUV A3) на контакте защитного провода кабеля электропитания и на соединительном патрубке прибора.

##### Сопротивление изоляции

Исходя из того, что данный прибор приводится в действие электронным способом, сопротивление изоляции согласно VDE 0701/0702 измерить нельзя.

- ▶ Для проверки соблюдения характеристик изоляции этого прибора рекомендуем методом разностного тока измерять ток защитного провода / ток поверхностной утечки согласно VDE 0701/0702 (рис. С.3b).

### 14.4 Хранение прибора

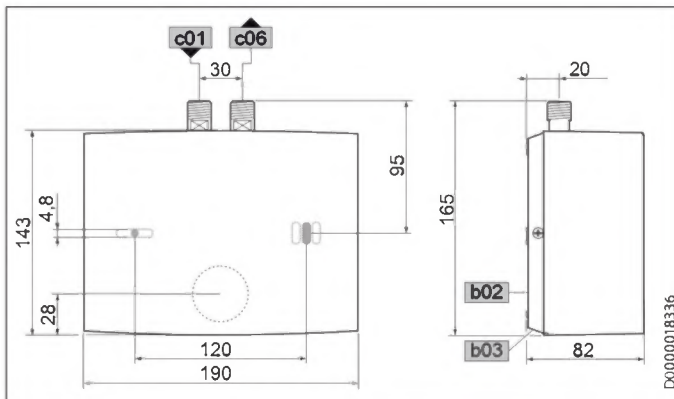
- ▶ Хранить демонтированный прибор в отапливаемом помещении, поскольку в приборе всегда находятся остатки воды, которые могут замерзнуть и повредить его.

### 14.5 Замена электрического соединительного провода EIL 6 Premium

- ▶ При замене электрического соединительного провода EIL 6 Premium следует использовать провод с сечением 4 мм<sup>2</sup>.

## 15. Технические характеристики

### 15.1 Размеры и подключения



D0000018336

b02 Кабельный ввод для электропроводки I

b03 Кабельный ввод для электропроводки II

c01 Подвод холодной воды

Наружная резьба

G 3/8 A

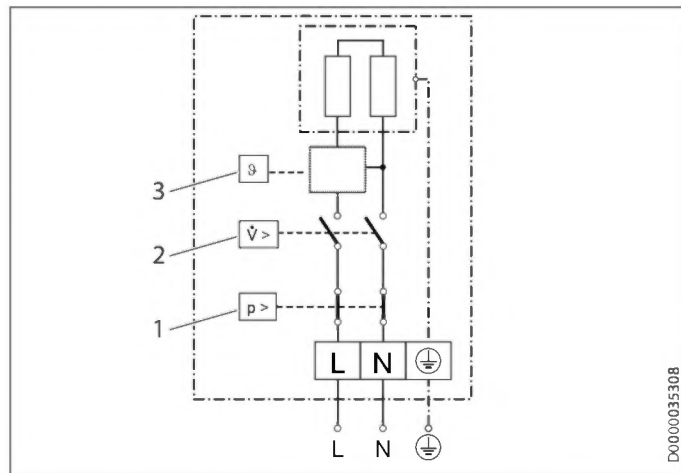
c06 Выпуск горячей воды

Наружная резьба

G 3/8 A

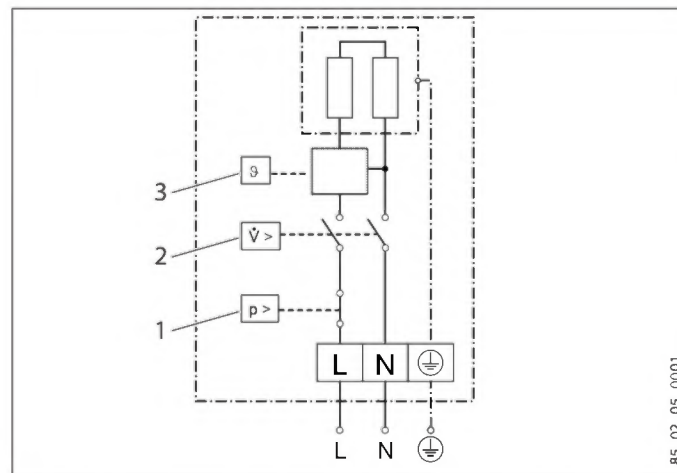
## 15.2 Электрическая схема

### 15.2.1 EIL 3 Premium 1/N/PE ~ 200–240 В



- 1 Предохранительный ограничитель давления
- 2 Датчик разности давлений
- 3 Электронный модуль с датчиком температуры воды на выходе

### 15.2.2 EIL 4 Premium и EIL 6 Premium 1/N/PE ~ 200–240 В



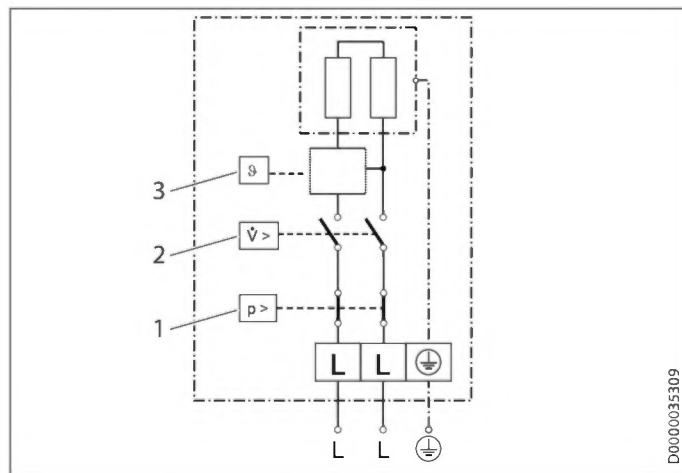
- 1 Предохранительный ограничитель давления
- 2 Датчик разности давлений
- 3 Электронный модуль с датчиком температуры воды на выходе



#### Материальный ущерб

- ▶ При неразъемном подключении кабеля электропитания провода подключаются в соответствии с обозначениями клемм колодки.

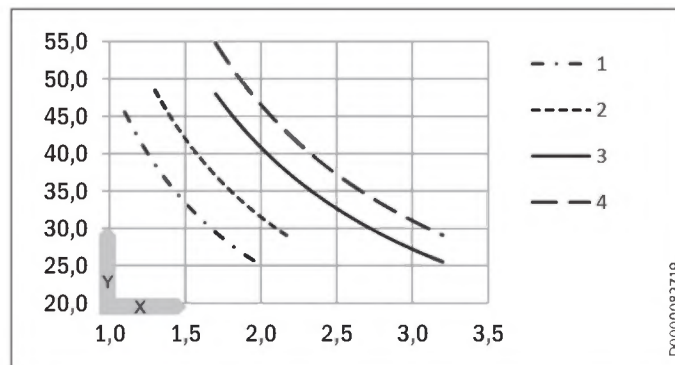
### 15.2.3 EIL 7 Premium 2/PE ~ 380–400 В



- 1 Предохранительный ограничитель давления
- 2 Датчик разности давлений
- 3 Электронный модуль с датчиком температуры воды на выходе

### 15.3 Повышение температуры

При напряжении 230 / 400 В действуют следующие значения повышения температуры воды:



X Объемный расход в л/мин  
Y Повышение температуры в К

- 1 3,5 кВт – 230 В
- 2 4,4 кВт – 230 В
- 3 5,7 кВт – 230 В
- 4 6,5 кВт – 400 В

Пример: EIL 3 Premium с 3,5 кВт

Объемный расход	л/мин	2,0
Повышение температуры	К	25
Температура холодной воды на входе	°С	12
Максимально возможная температура воды на выходе	°С	37



## 15.4 Рабочие диапазоны

Удельное электрическое сопротивление и удельная электропроводность воды указаны в таблице параметров.

Стандартные данные при 15 °C			20 °C			25 °C		
Удел. Сопротивление $\rho \geq$	Удел. Электропроводность $\sigma \leq$		Удел. Сопротивление $\rho \geq$	Удел. Электропроводность $\sigma \leq$		Удел. Сопротивление $\rho \geq$	Удел. Электропроводность $\sigma \leq$	
Ом·см	мСм/м	мкСм/см	Ом·см	мСм/м	мкСм/см	Ом·см	мСм/м	мкСм/см
1000	100	1000	890	112	1124	815	123	1227
1300	77	769	1175	85	851	1072	93	933

**15.5 Характеристики энергопотребления**

Технические характеристики изделия: Стандартный водонагреватель (в соответствии с регламентом ЕС № 812/2013 | 814/2013)

		EIL 3 Premium 200134	EIL 4 Premium 200135	EIL 6 Premium 200136	EIL 7 Premium 200137
Производитель		STIEBEL ELTRON	STIEBEL ELTRON	STIEBEL ELTRON	STIEBEL ELTRON
Профиль нагрузки		XXS	XXS	XXS	XS
Класс энергоэффективности		A	A	A	A
Энергетический КПД	%	39	38	39	40
Годовое потребление электроэнергии	кВт*ч	478	478	478	467
Заданная на заводе температура	°C	38	38	38	38
Уровень звуковой мощности	дБ(A)	15	15	15	15
Особые указания по измерению эффективности		Нет	Нет	Нет	Нет
Суточное потребление электроэнергии	кВт*ч	2,200	2,200	2,200	2,130

## 15.6 Таблица параметров

		EIL 3 Premium				EIL 4 Premium				EIL 6 Premium				EIL 7 Premium	
		200134				200135				200136				200137	
<b>Электрические характеристики</b>															
Номинальное напряжение	В	200	220	230	240	200	220	230	240	200	220	230	240	380	400
Номинальная мощность	кВт	2,7	3,2	3,53	3,8	3,3	4,0	4,4	4,8	4,3	5,2	5,7	6,2	5,9	6,5
Номинальный ток	А	13,3	14,5	15,2	15,8	16,7	18,2	19,1	20,0	21,6	23,6	24,7	25,8	15,5	16,3
Предохранитель	А	16				20				25	25	25	32	16	20
Частота	Гц	50/60				50/60				50/60				50/-	50/-
Фазы		1/N/PE				1/N/PE				1/N/PE				2/PE	
Удельное сопротивление $\rho_{15} \geq$ (при $\vartheta_{хол.} \leq 25 \text{ }^\circ\text{C}$ )	Ом·см	1000				1000				1000				1000	
Удельная электропроводность $\sigma_{15} \leq$ (при $\vartheta_{хол.} \leq 25 \text{ }^\circ\text{C}$ )	мкСм/см	1000				1000				1000				1000	
Удельное сопротивление $\rho_{15} \geq$ (при $\vartheta_{хол.} > 25 \text{ }^\circ\text{C}$ )	Ом·см	1300				1300				1300				1300	
Удельная электропроводность $\sigma_{15} \leq$ (при $\vartheta_{хол.} > 25 \text{ }^\circ\text{C}$ )	мкСм/см	770				770				770				770	
Макс. полное сопротивление сети при 50 Гц	Ом	0,083	0,079	0,076		0,065	0,063	0,06		0,049	0,047	0,045		0,236	0,225
<b>Соединения</b>															
Подключение к водопроводу		G 3/8 A				G 3/8 A				G 3/8 A				G 3/8 A	
<b>Пределы рабочего диапазона</b>															
Макс. допустимое давление	МПа	1				1				1				1	
Макс. значение температуры подачи для обогрева	°C	50				50				50				50	
<b>Параметры</b>															
Макс. допустимая температура подачи	°C	55				55				55				55	
Диапазон регулировки температуры горячей воды	°C	30-50				30-50				30-50				30-50	
Вкл	л/мин	>1,5				>1,8				>2,2				>2,2	
Потеря давления при объемном расходе	МПа	0,05				0,06				0,07				0,07	

## УСТАНОВКА

### Технические характеристики

		EIL 3 Premium	EIL 4 Premium	EIL 6 Premium	EIL 7 Premium
Объемный расход при потере давления	л/мин	1,5	1,8	2,2	2,2
Ограничение объемного расхода при	л/мин	2,0	2,2	3,2	3,2
Мощность по горячей воде	л/мин	2,0	2,2	3,2	3,7
$\Delta p$ при подаче	К	25	25	25	25
<b>Гидравлические характеристики</b>					
Номинальная емкость	л	0,1	0,1	0,1	0,1
<b>Модификации</b>					
Монтаж над раковиной		X	X	X	X
Монтаж под раковиной		X	X	X	X
Конструкция открытого типа		X	X	X	X
Конструкция закрытого типа		X	X	X	X
Класс защиты		1	1	1	1
Изолирующий блок		Пластмасса	Пластмасса	Пластмасса	Пластмасса
Генератор тепла системы отопления		Открытый нагревательный элемент	Открытый нагревательный элемент	Открытый нагревательный элемент	Открытый нагревательный элемент
Крышка и задняя панель		Пластмасса	Пластмасса	Пластмасса	Пластмасса
Цвет		белый	белый	белый	белый
Степень защиты (IP)		IP25	IP25	IP25	IP25
<b>Размеры</b>					
Высота	мм	143	143	143	143
Ширина	мм	190	190	190	190
Глубина	мм	82	82	82	82
Длина соединительного кабеля	мм	700	700	700	700
<b>Вес</b>					
Вес	кг	1,5	1,5	1,5	1,5



#### Указание

Прибор соответствует требованиям стандарта IEC 61000-3-12.

## Гарантия

Приборы, приобретенные за пределами Германии, не подпадают под условия гарантии немецких компаний. К тому же в странах, где продажу нашей продукции осуществляет одна из наших дочерних компаний, гарантия предоставляется исключительно этой дочерней компанией. Такая гарантия предоставляется только в случае, если дочерней компанией изданы собственные условия гарантии. За пределами этих условий никакая гарантия не предоставляется.

На приборы, приобретенные в странах, где ни одна из наших дочерних компаний не осуществляет продажу нашей продукции, никакие гарантии не распространяются. Это не затрагивает гарантий, которые могут предоставляться импортером.

## Защита окружающей среды и утилизация

Внесите свой вклад в охрану окружающей среды. Утилизацию использованных материалов следует производить в соответствии с национальными нормами.

---

ДЛЯ ЗАМЕТОК

---

---

ДЛЯ ЗАМЕТОК

---

## Deutschland

STIEBEL ELTRON GmbH & Co. KG  
Dr.-Stiebel-Straße 33 | 37603 Holzminden  
Tel. 05531 702-0 | Fax 05531 702-480  
info@stiebel-eltron.de  
www.stiebel-eltron.de

## Verkauf

### Kundendienst Ersatzteilverkauf

Tel. 05531 702-110 | Fax 05531 702-95108 | info-center@stiebel-eltron.de  
Tel. 05531 702-111 | Fax 05531 702-95890 | kundendienst@stiebel-eltron.de  
Tel. 05531 702-120 | Fax 05531 702-95335 | ersatzteile@stiebel-eltron.de

## Australia

STIEBEL ELTRON Australia Pty. Ltd.  
294 Salmon Street | Port Melbourne  
VIC 3207  
Tel. 03 9645-1833 | Fax 03 9644-5091  
info@stiebel-eltron.com.au  
www.stiebel-eltron.com.au

## Austria

STIEBEL ELTRON Ges.m.b.H.  
Gewerbegebiet Neubau-Nord  
Margaritenstraße 4 A | 4063 Hörsching  
Tel. 07221 74600-0 | Fax 07221 74600-42  
info@stiebel-eltron.at  
www.stiebel-eltron.at

## Belgium

STIEBEL ELTRON bvba/sprl  
't Hofveld 6 - D1 | 1702 Groot-Bijgaarden  
Tel. 02 42322-22 | Fax 02 42322-12  
info@stiebel-eltron.be  
www.stiebel-eltron.be

## China

STIEBEL ELTRON (Tianjin) Electric  
Appliance Co., Ltd.  
Plant C3, XEDA International Industry City  
Xiqing Economic Development Area  
300085 Tianjin  
Tel. 022 8396 2077 | Fax 022 8396 2075  
info@stiebeleltron.cn  
www.stiebeleltron.cn

## Czech Republic

STIEBEL ELTRON spol. s r.o.  
Dopraváků 749/3 | 184 00 Praha 8  
Tel. 251116-111 | Fax 235512-122  
info@stiebel-eltron.cz  
www.stiebel-eltron.cz

## Finland

STIEBEL ELTRON OY  
Kapinakuja 1 | 04600 Mäntsälä  
Tel. 020 720-9988  
info@stiebel-eltron.fi  
www.stiebel-eltron.fi

## France

STIEBEL ELTRON SAS  
B.P 85107 | 57073 Metz-Cédex 3  
Tel. 0387 7438-88 | Fax 0387 7468-28  
info@stiebel-eltron.fr  
www.stiebel-eltron.fr

## Hungary

STIEBEL ELTRON Kft.  
Gyár u. 2 | 2040 Budaörs  
Tel. 01 250-6055 | Fax 01 368-8097  
info@stiebel-eltron.hu  
www.stiebel-eltron.hu

## Japan

NIHON STIEBEL Co. Ltd.  
Kowa Kawasaki Nishiguchi Building 8F  
66-2 Horikawa-Cho  
Saiwai-Ku | 212-0013 Kawasaki  
Tel. 044 540-3200 | Fax 044 540-3210  
info@nihonstiebel.co.jp  
www.nihonstiebel.co.jp

## Netherlands

STIEBEL ELTRON Nederland B.V.  
Daviottenweg 36 |  
5222 BH 's-Hertogenbosch  
Tel. 073 623-0000 | Fax 073 623-1141  
info@stiebel-eltron.nl  
www.stiebel-eltron.nl

## Poland

STIEBEL ELTRON Polska Sp. z O.O.  
ul. Działkowa 2 | 02-234 Warszawa  
Tel. 022 60920-30 | Fax 022 60920-29  
biuro@stiebel-eltron.pl  
www.stiebel-eltron.pl

## Russia

STIEBEL ELTRON LLC RUSSIA  
Urzhumskaya street 4,  
building 2 | 129343 Moscow  
Tel. 0495 7753889 | Fax 0495 7753887  
info@stiebel-eltron.ru  
www.stiebel-eltron.ru

## Slovakia

STIEBEL ELTRON Slovakia, s.r.o.  
Hlavná 1 | 058 01 Poprad  
Tel. 052 7127-125 | Fax 052 7127-148  
info@stiebel-eltron.sk  
www.stiebel-eltron.sk

## Switzerland

STIEBEL ELTRON AG  
Industrie West  
Gass 8 | 5242 Lupfig  
Tel. 056 4640-500 | Fax 056 4640-501  
info@stiebel-eltron.ch  
www.stiebel-eltron.ch

## Thailand

STIEBEL ELTRON Asia Ltd.  
469 Moo 2 Tambol Klong-jik  
Amphur Bangpa-In | 13160 Ayutthaya  
Tel. 035 220088 | Fax 035 221188  
info@stiebeleltronasia.com  
www.stiebeleltronasia.com

## United Kingdom and Ireland

STIEBEL ELTRON UK Ltd.  
Unit 12 Stadium Court  
Stadium Road | CH62 3RP Bromborough  
Tel. 0151 346-2300 | Fax 0151 334-2913  
info@stiebel-eltron.co.uk  
www.stiebel-eltron.co.uk

## United States of America

STIEBEL ELTRON, Inc.  
17 West Street | 01088 West Hatfield MA  
Tel. 0413 247-3380 | Fax 0413 247-3369  
info@stiebel-eltron-usa.com  
www.stiebel-eltron-usa.com



Irrtum und technische Änderungen vorbehalten! | Subject to errors and technical changes! | Sous réserve d'erreurs et de modifications techniques! | Onder voorbehoud van vergissingen en technische wijzigingen! | Salvo error o modificazioni tecniche! | Excepto erroes ou alterações técnicas! | Zastrzeżone zmiany techniczne i ewentualne błędy! | Омывля технікскі змяніжысious vyhrazeny! | A muszakai változtatások és tévedések jogát fenntartjuk! | Отсутствие ошибок не гарантируется. Возможны технические изменения. | Chyby a technické zmeny sú vyhradené! | Stand 9535

# STIEBEL ELTRON

A 334001-42399-9557  
B 334000-41065-9432